

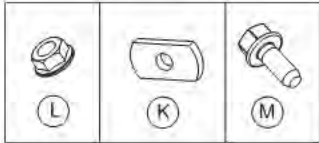
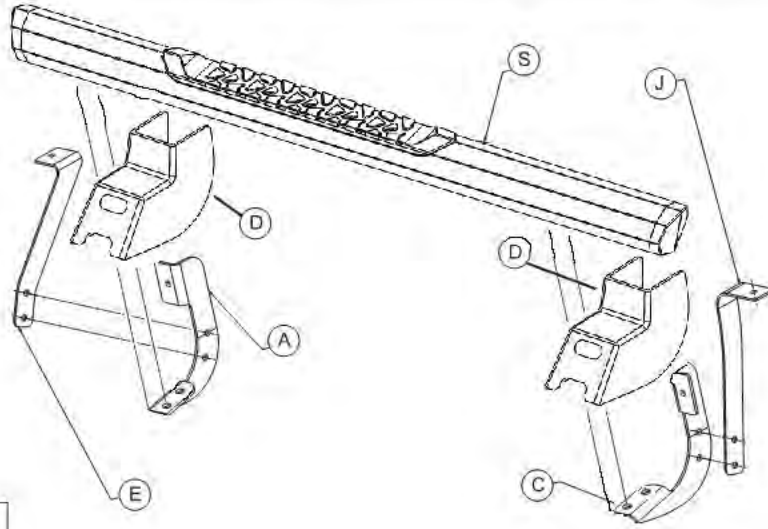


2002-2008 Dodge Ram

Regular, Quad, Mega Cabs

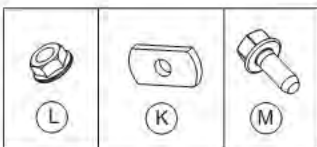
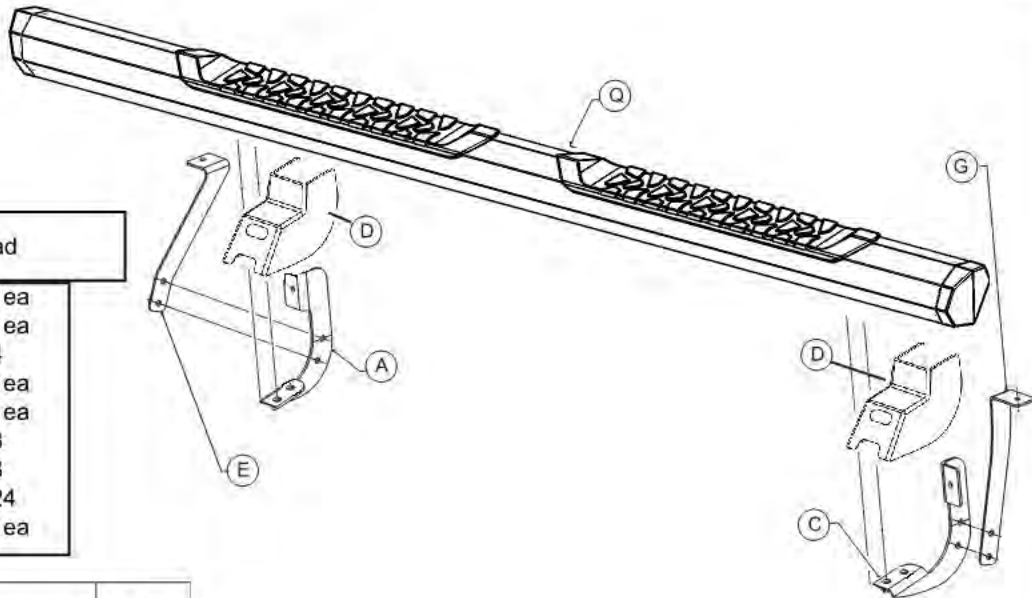
OCTA TUBES

Regular	
A	1ea
C	1ea
D	4
E	1ea
J	1ea
K	8
L	8
M	24
S	1ea

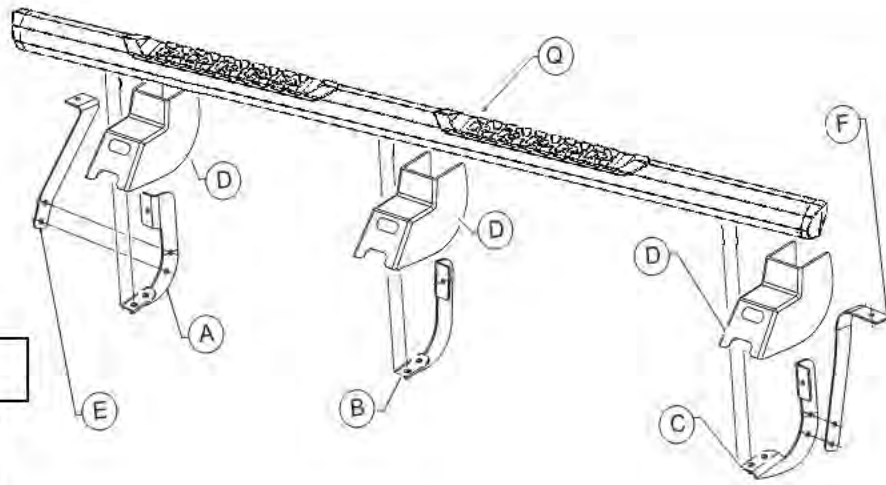


LHS Shown

Quad	
A	1ea
C	1ea
D	4
E	1ea
G	1ea
K	8
L	8
M	24
Q	1ea

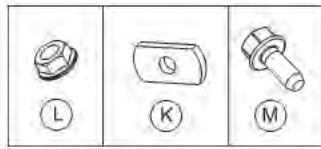


LHS Shown

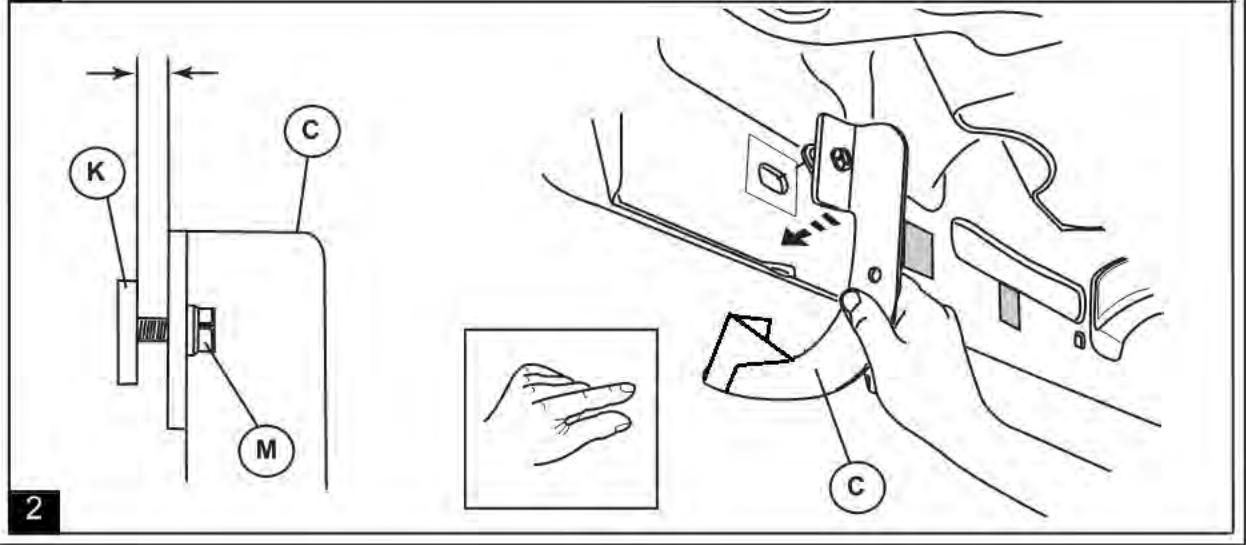
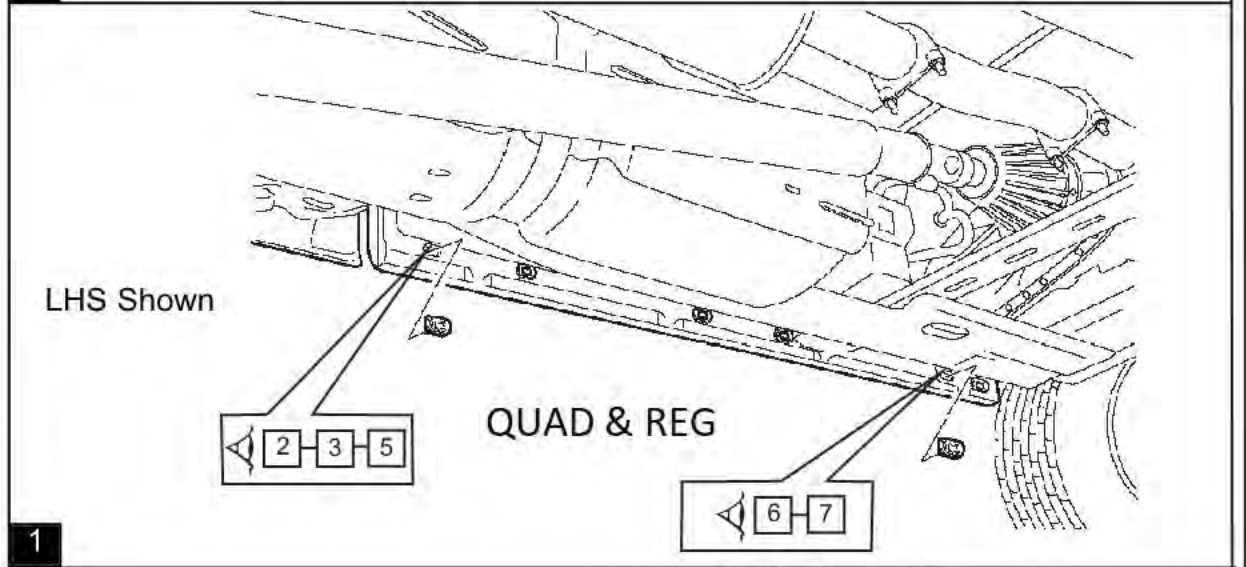
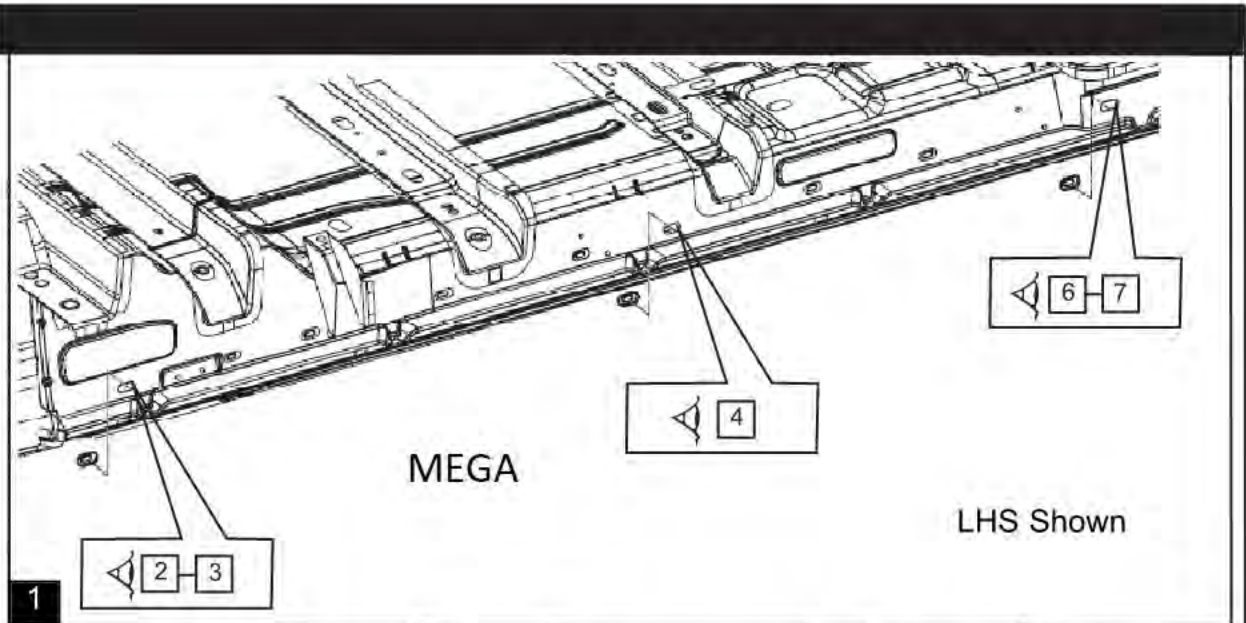


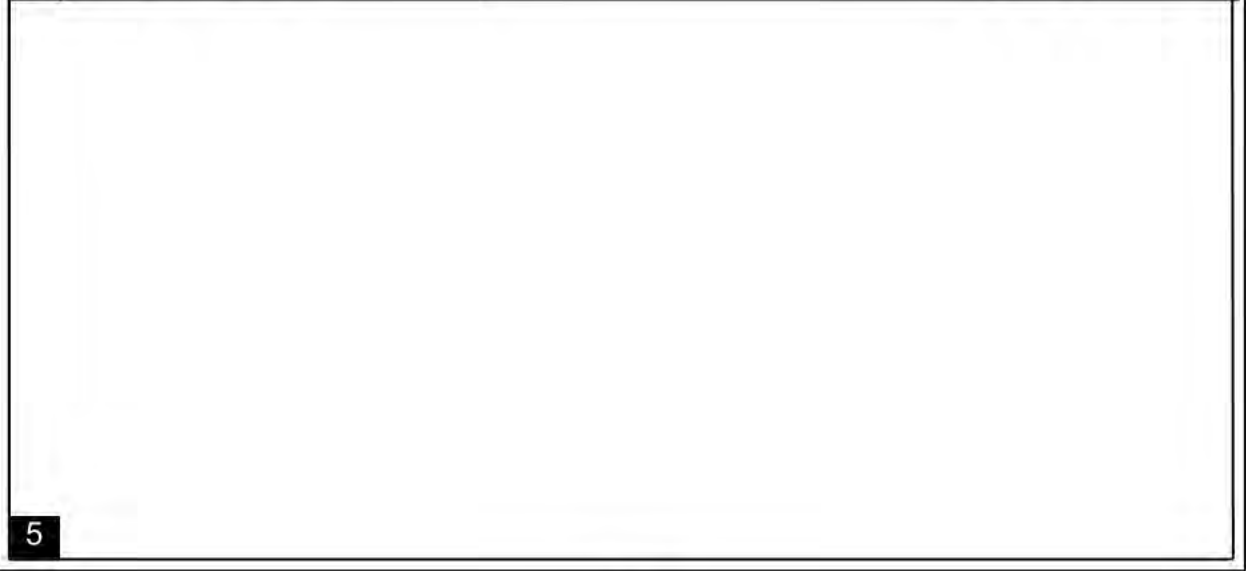
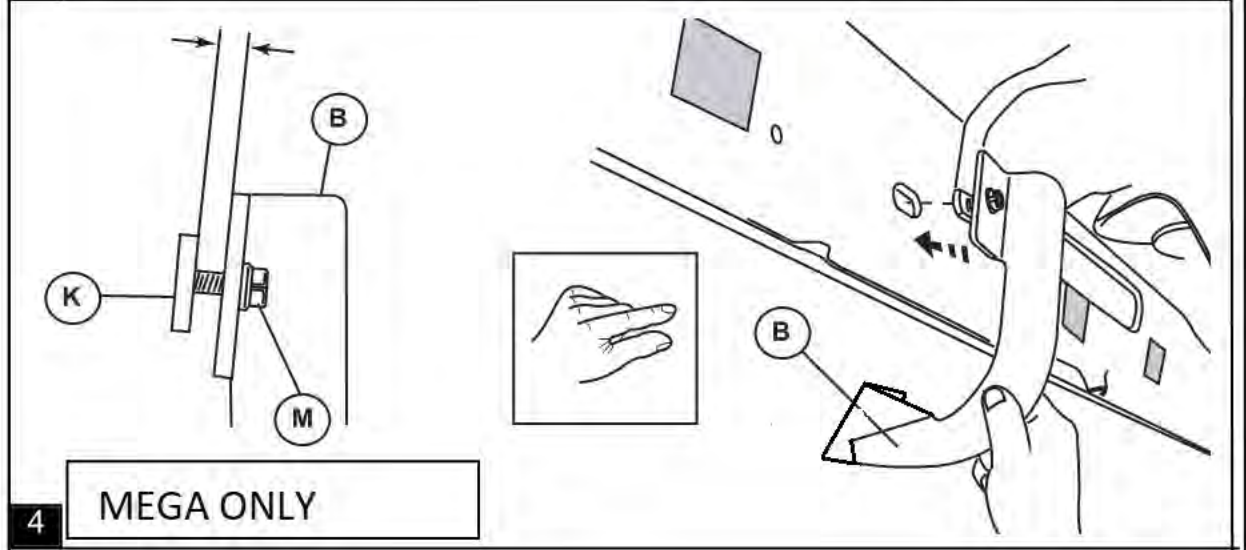
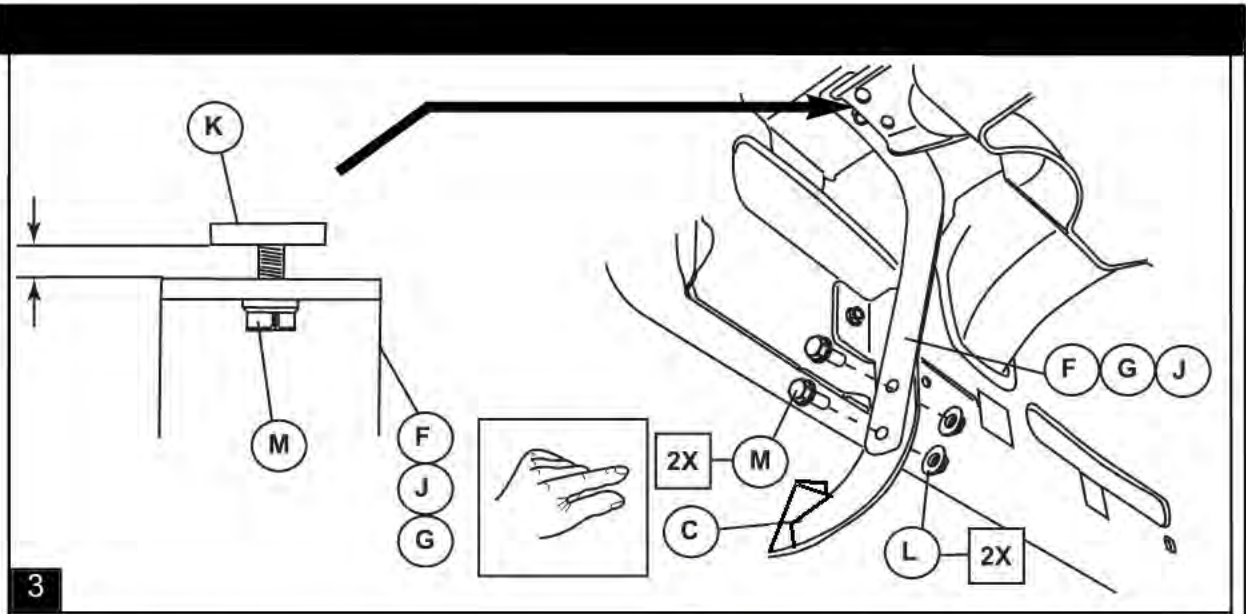
Mega

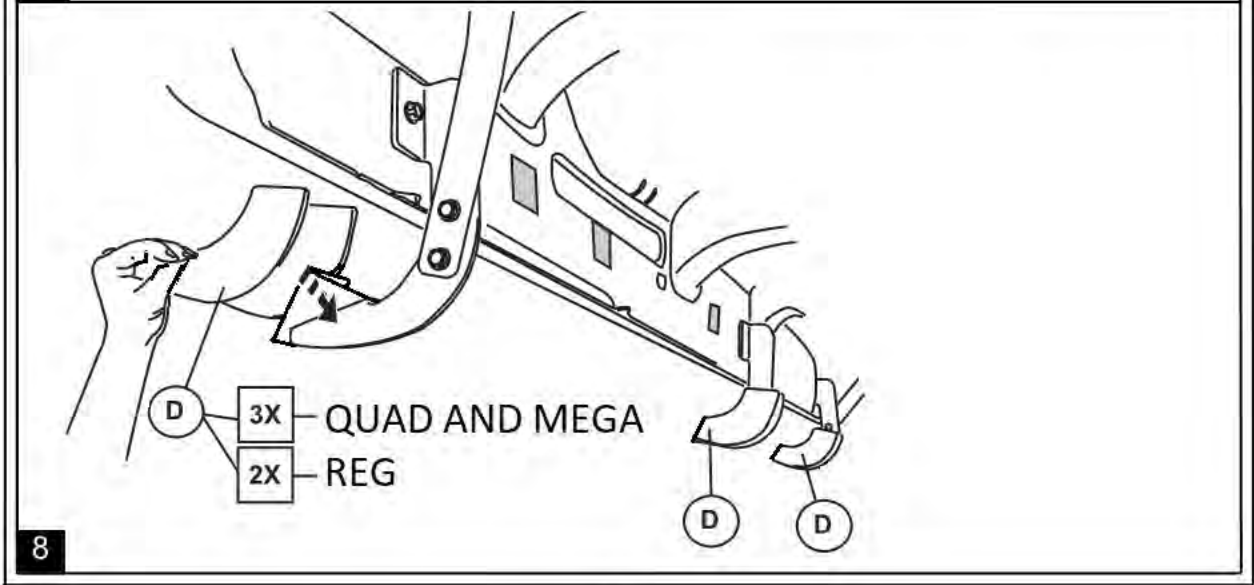
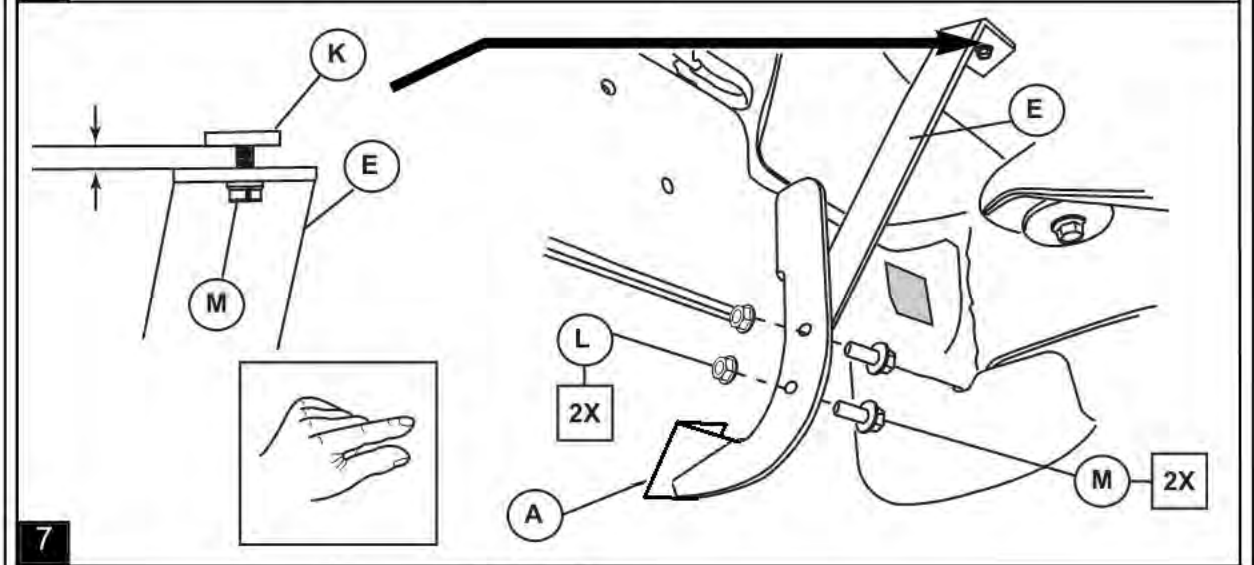
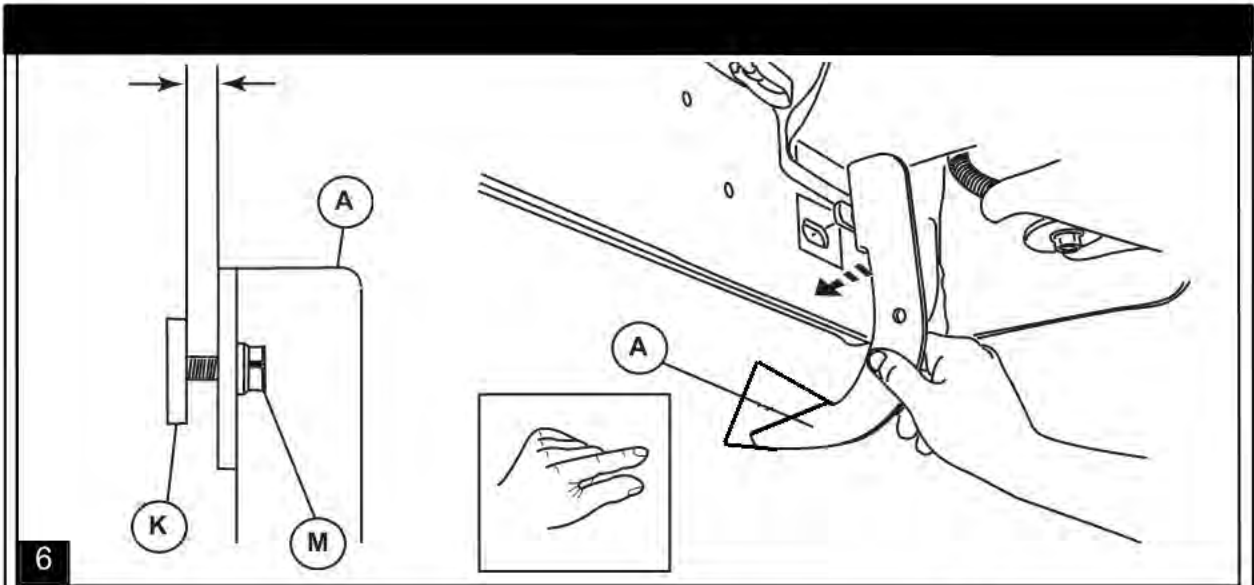
A	1ea
B	2
C	1ea
D	6
E	1ea
F	1ea
K	10
L	8
M	30
Q	1ea

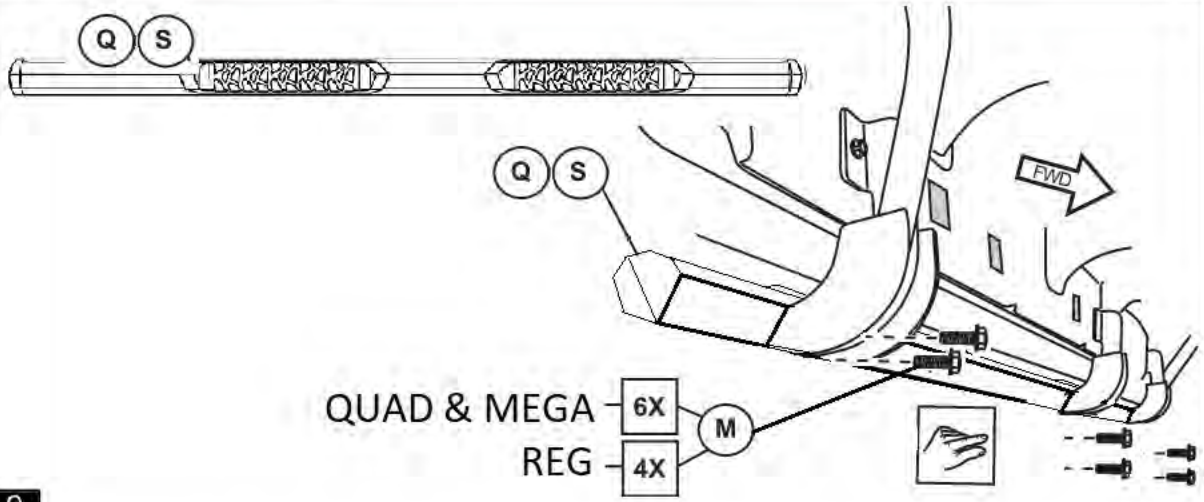


LHS Shown

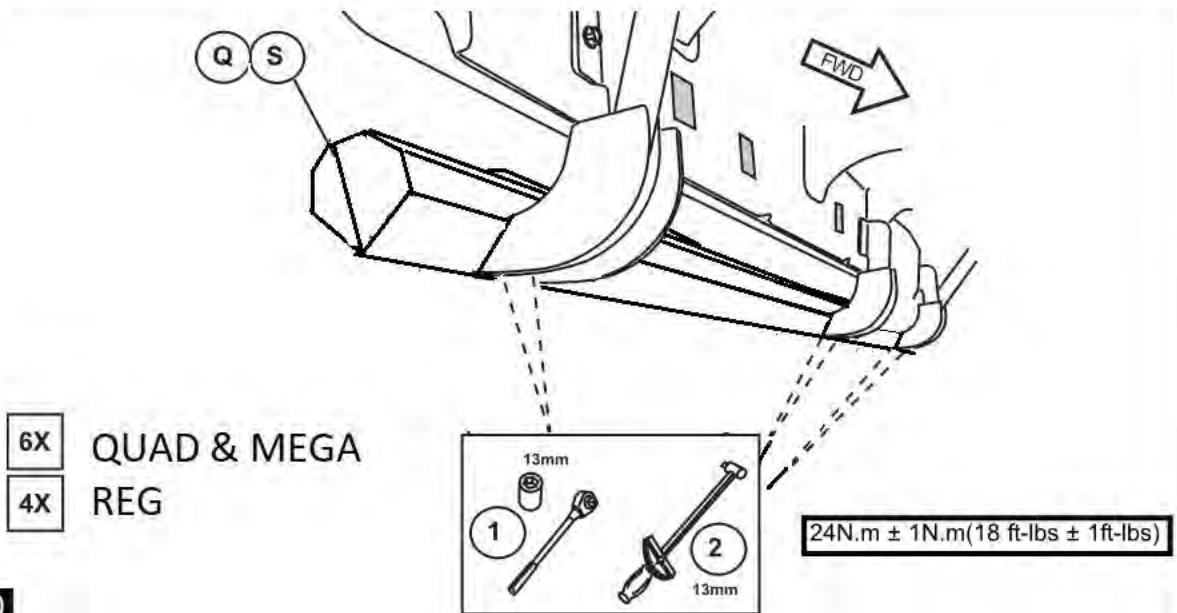








9



10

Tighten all flange head fasteners to 18ft-lbs ± 1 ft-lbs. (24N.m ± 1 N.m).

Repeat for Passenger Side.
Caution - Do Not Over-Torque.

11