

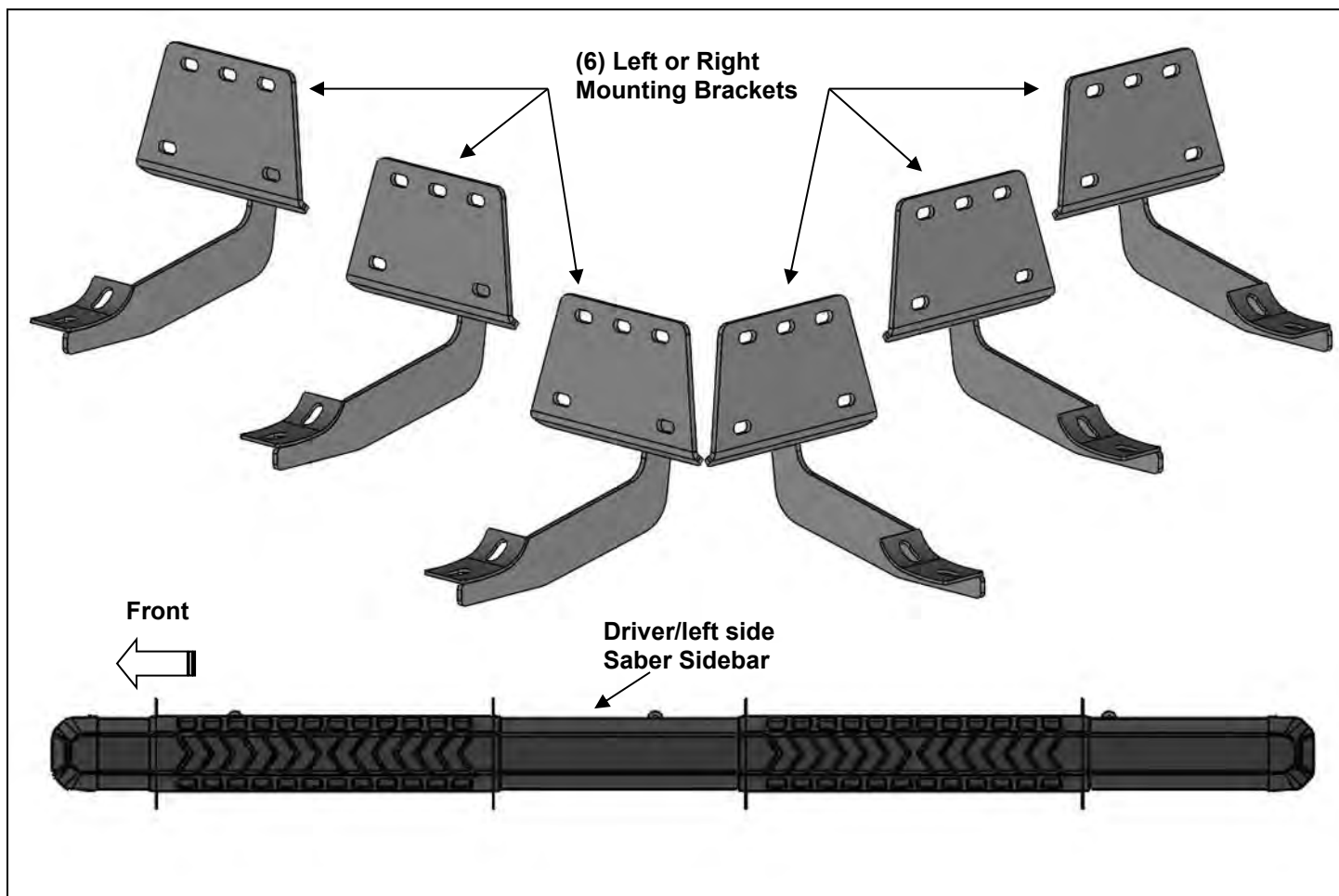
INSTALLATION INSTRUCTIONS

SABER SIDEBARS

2019 DODGE RAM 1500 CREW CAB

PARTS LIST:

1	Driver/left side Saber Sidebar	30	8mm x 24mm x 2mm Flat Washers
1	Passenger/right side Saber Sidebar	12	8mm Lock Washers
6	Universal Mounting Brackets (left or right)	12	8-1.25mm Hex Nuts
12	8-1.25mm x 20mm T-Bolts	18	8-1.25mm Nylon Lock Nuts



PROCEDURE:

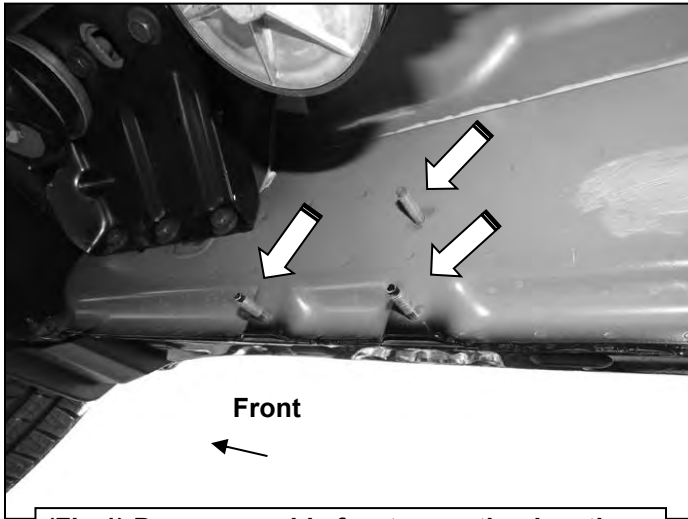
REMOVE CONTENTS FROM BOX. VERIFY ALL PARTS ARE PRESENT. READ INSTRUCTIONS CAREFULLY BEFORE STARTING INSTALLATION. ASSISTANCE IS RECOMMENDED.

1. Start the installation under the passenger side of the vehicle. Locate the front (3) factory studs along the inner side of the body panel, **(Figure 1)**. **NOTE:** Chase threads on the studs first before installing Brackets to remove paint buildup.
2. Select (1) Mounting Bracket. **NOTE:** All (6) Brackets are universal and will fit left or right side. Attach the Mounting Bracket to the (3) factory studs with (3) 8mm Flat Washers and (3) 8mm Nylon Lock Nuts, **(Figure 2)**. Leave brackets loose at this time.
3. Repeat **Steps 1 & 2** to install the Universal Brackets in the center and rear mounting locations along the body panel, **(Figures 3 & 4)**.
4. Carefully unwrap and select the passenger/right side Sidebar. Use the illustration above to help determine the correct Sidebar. Place the Sidebar on top of the Brackets. **NOTE:** Do not slide, (front to back or rotate), the Sidebar or damage to the finish on the Sidebar may occur. Locate the channel openings in the bottom of the Sidebar. Select (6) 8mm T-Bolts, **(Figure 5)**. Insert the T-Bolts into the channels in the bottom of the Sidebar closest to the Brackets, **(Figure 6)**. Lift the Sidebar up and guide the studs through the Brackets.

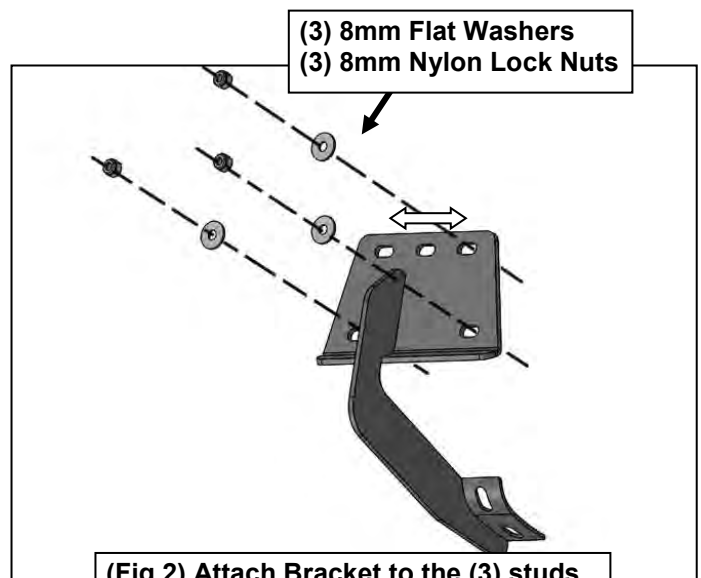
5. Attach the Sidebar to the Brackets with (6) 8mm Flat Washers, (6) 8mm Lock Washers and (6) 8mm Hex Nuts, **(Figures 7 & 8)**.
6. Level and adjust the Sidebar as necessary and fully tighten all hardware.
7. Repeat **Steps 1—6** for Driver/left side Sidebar Installation.
8. Do periodic inspections to the installation to make sure that all hardware is secure and tight.

To protect your investment, wax this product after installing. Regular waxing is recommended to add a protective layer over the finish. Do not use any type of polish or wax that may contain abrasives that could damage the finish. Mild soap may be used also to clean the Sidebar.

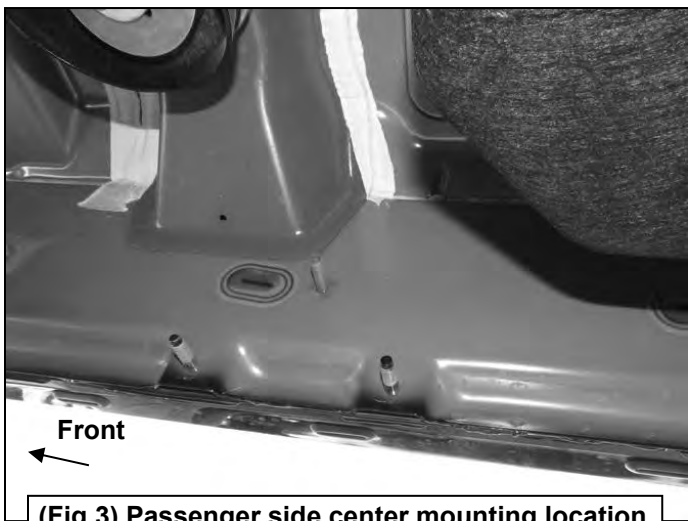
Passenger/right Side Installation Pictured



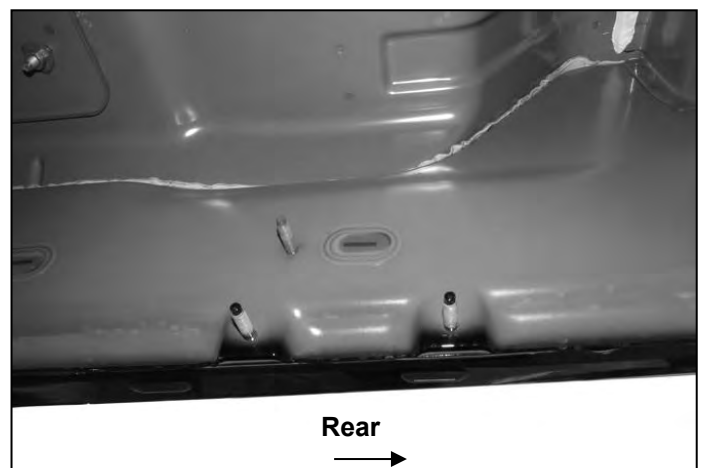
(Fig 1) Passenger side front mounting location



(Fig 2) Attach Bracket to the (3) studs



(Fig 3) Passenger side center mounting location



(Fig 4) Passenger side rear mounting location

Passenger/right Side Installation Pictured

