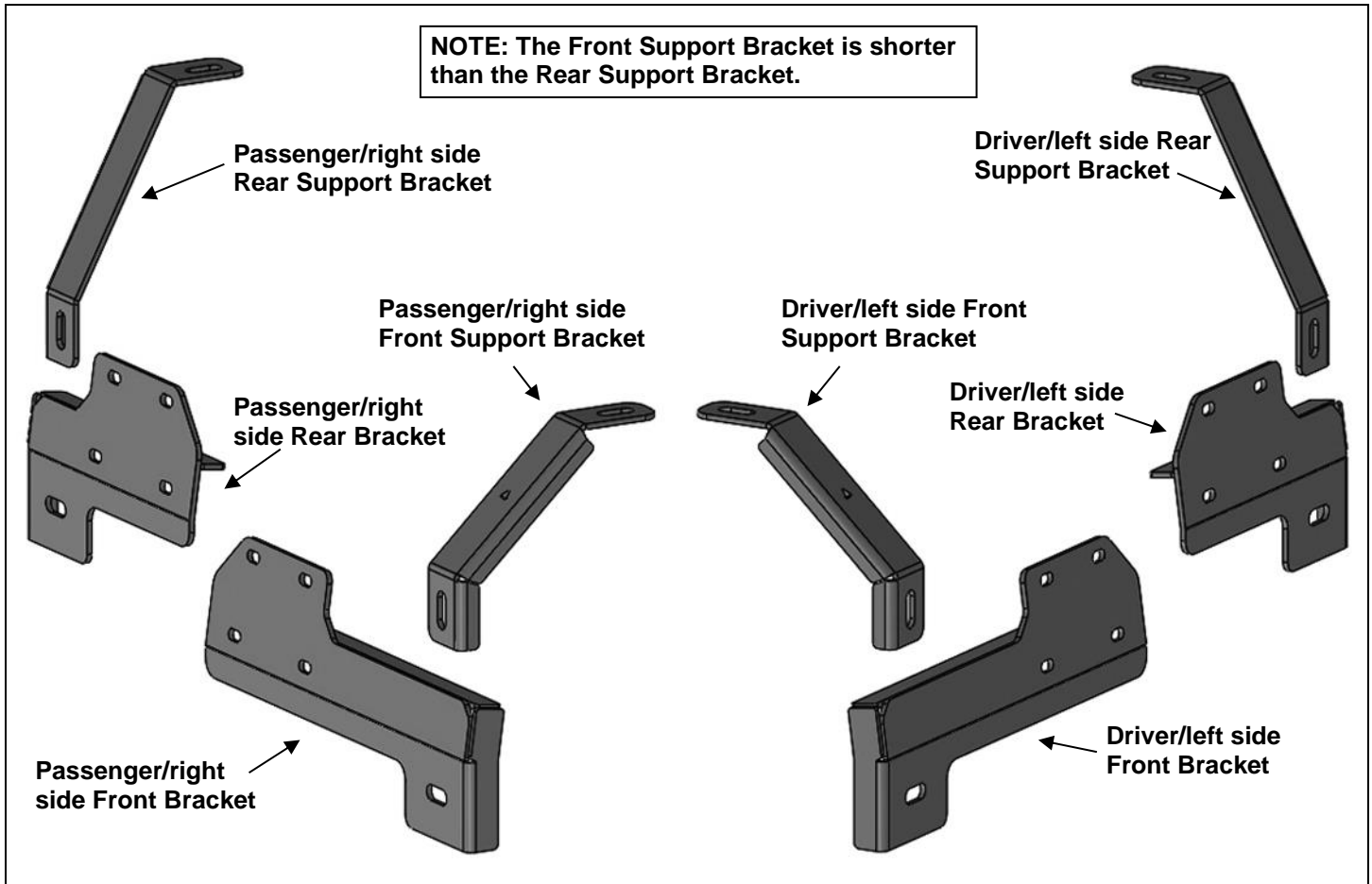


**PARTS LIST:**

2	3" 90 deg. Bent End Sidebars	1	Driver/left side Rear Support Bracket
1	Driver/left side Front Mounting Bracket	1	Passenger/right side Rear Support Bracket
1	Passenger/right side Front Mounting Bracket	4	1/2" x 2" Hex Bolts
1	Driver/left side Rear Mounting Bracket	4	1/2" x 1-1/2" x 1/8" Flat Washers
1	Passenger/right side Rear Mounting Bracket	4	1/2" Lock Washers
1	Driver/left side Front Support Bracket	12	8-1.25mm Nylon Lock Nuts
1	Passenger/right side Front Support Bracket	12	8mm x 24mm x 2mm Flat Washers



**PROCEDURE:**

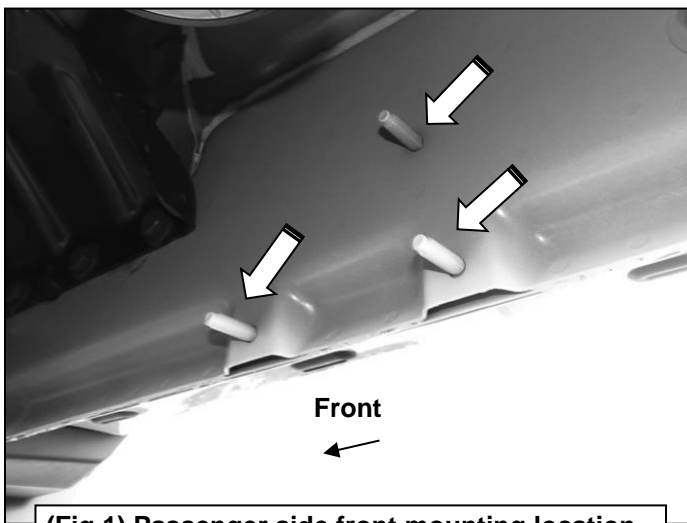
**REMOVE CONTENTS FROM BOX. VERIFY ALL PARTS ARE PRESENT. READ INSTRUCTIONS CAREFULLY BEFORE STARTING INSTALLATION. ASSISTANCE IS RECOMMENDED.**

1. Start the installation under the passenger/right side of the vehicle. Locate the front (3) factory studs along the inner side of the body panel, **(Figure 1)**. **NOTE:** Use a wire brush or die to remove paint buildup on the threaded studs.
2. Select the Passenger/right side Front Mounting Bracket. Attach the Mounting Bracket to the (3) factory studs with (3) 8mm Flat Washers and (3) 8mm Nylon Lock Nuts, **(Figures 2 & 3)**. Leave Bracket loose at this time.
3. Locate the front body mount, **(Figure 4)**. Remove the factory body bolt and factory washer, **(Figure 5)**. **NOTE:** Chase thread on body bolt to remove paint buildup before reinstalling. Select the passenger side Front Support Bracket, **(Figure 6)**. Line up the upper slot on the Bracket with the body bolt hole. Reuse the factory body bolt and washer to attach the Bracket to the top of the body mount, **(Figure 7)**.
4. Move to the rear mounting location, **(Figure 8)**. Repeat **Steps 2 & 3** for the passenger side Rear Mounting and Support Bracket installation, **(Figures 9 & 10)**.

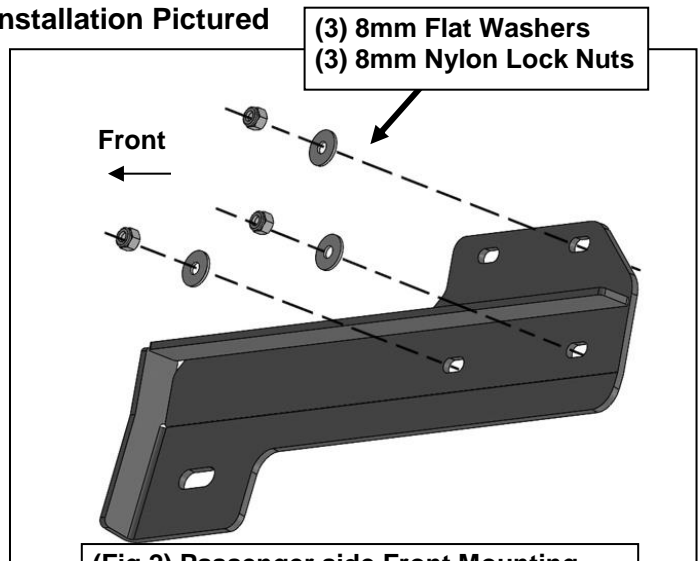
5. Carefully unwrap and select (1) Sidebar. With assistance, line up the front end of the tube with the front Bracket slots, **(Figure 11)**. Use 1/2" Hex Bolt, 1/2" Lock Washer and 1/2" Flat Washer to attach the front end of the Sidebar tube to the Front Brackets, **(Figures 11 & 12)**. Snug but do not tighten hardware at this time.
6. Move to the rear end of the Sidebar tube and repeat **Step 5** to attach the Sidebar to the rear Brackets, **(Figure 13)**.
7. Level and adjust the Sidebar as necessary and fully tighten all hardware.
8. Repeat **Steps 1—7** for Sidebar installation on the driver/left side.
9. Do periodic inspections to the installation to make sure that all hardware is secure and tight.

**To protect your investment**, wax this product after installing. Regular waxing is recommended to add a protective layer over the finish. Do not use any type of polish or wax that may contain abrasives that could damage the finish. Mild soap may be used also to clean the Sidebar.

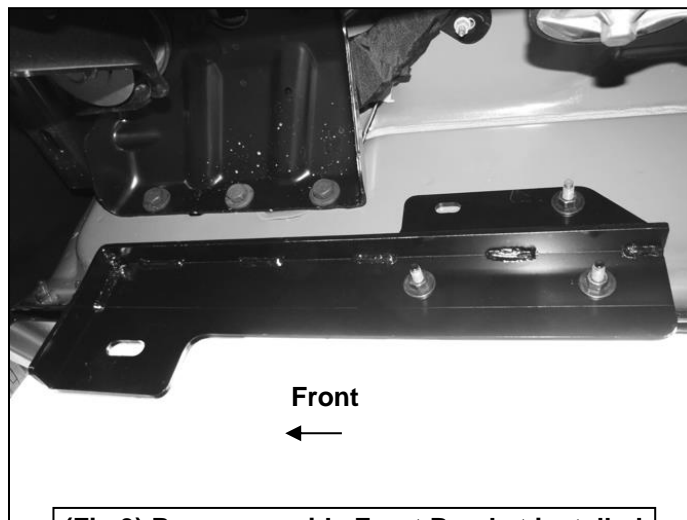
**Passenger/right Side Installation Pictured**



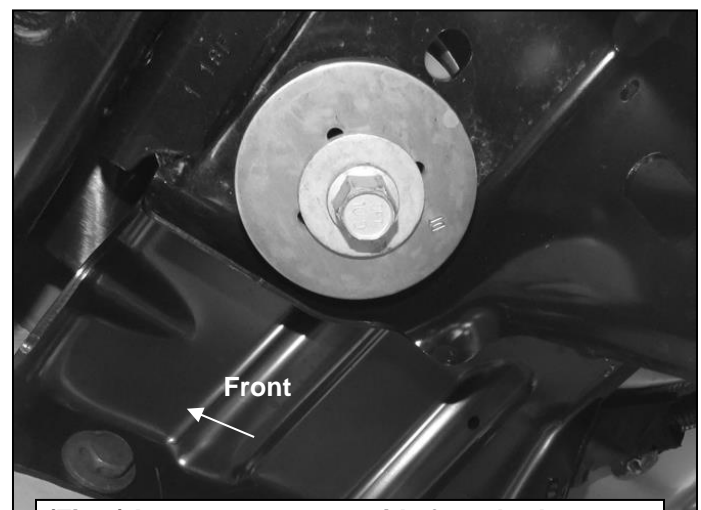
**(Fig 1) Passenger side front mounting location**



**(Fig 2) Passenger side Front Mounting Bracket attached to Side Panel illustrated**



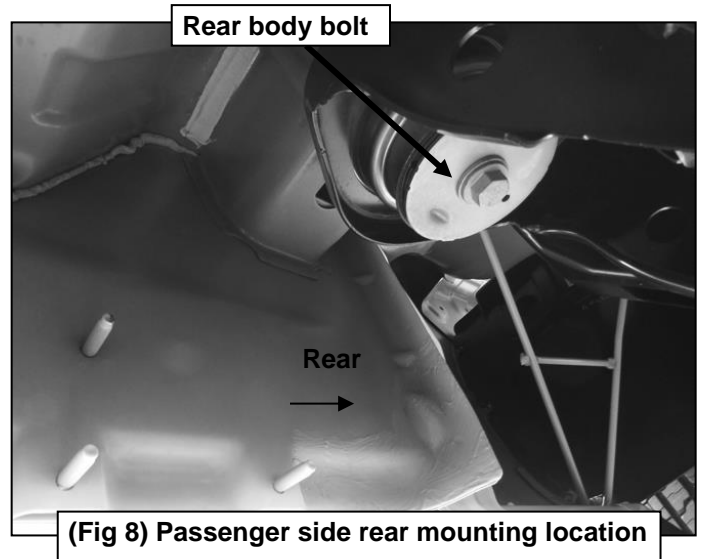
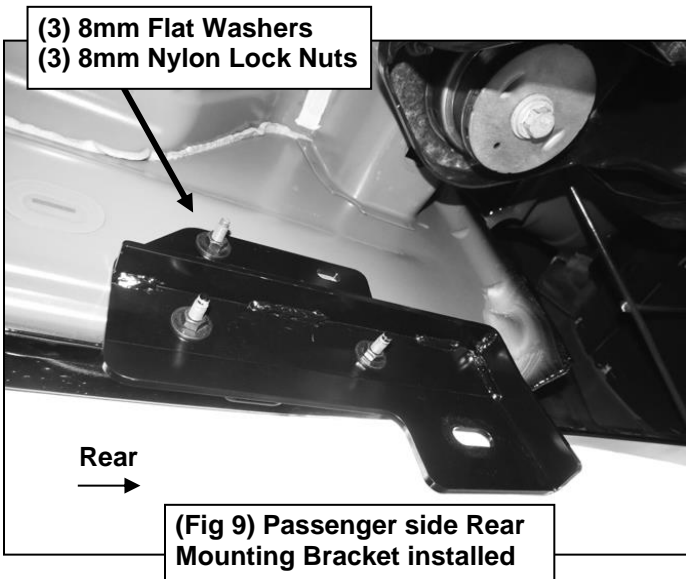
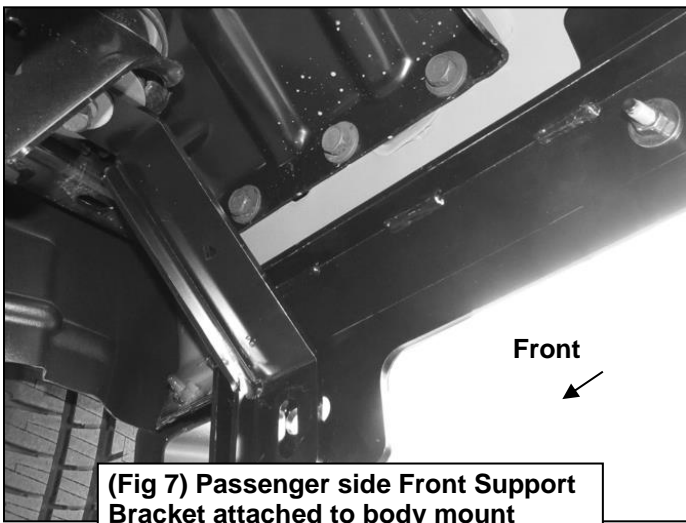
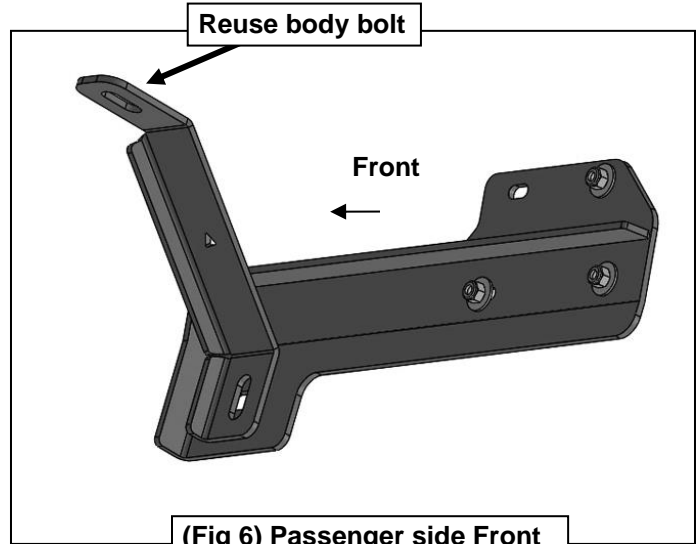
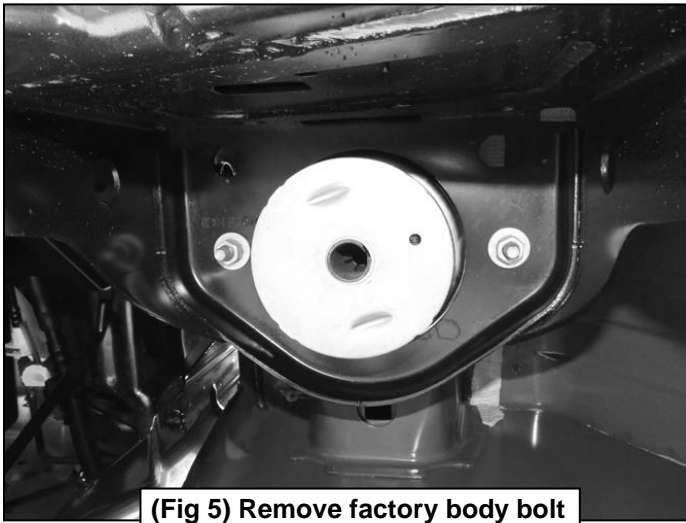
**(Fig 3) Passenger side Front Bracket installed**



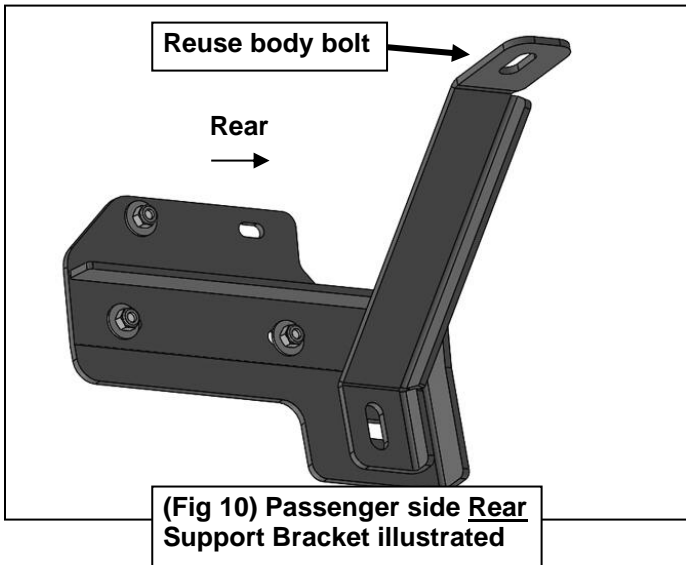
**(Fig 4) Locate passenger side front body mount**

**Passenger/right Side Installation Pictured**

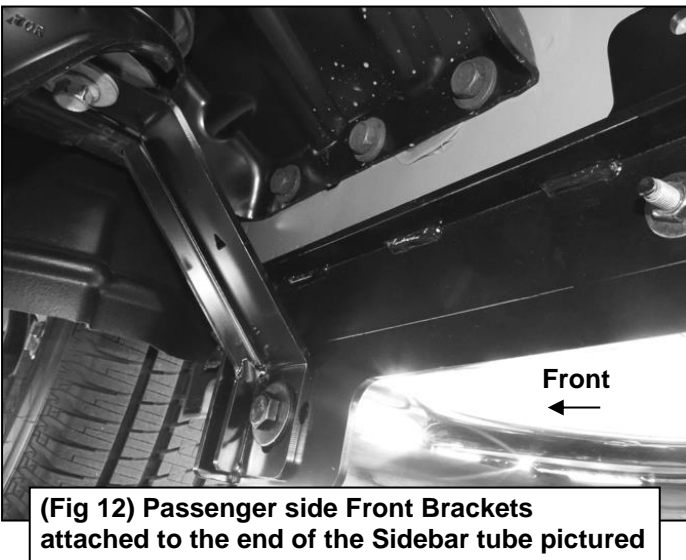
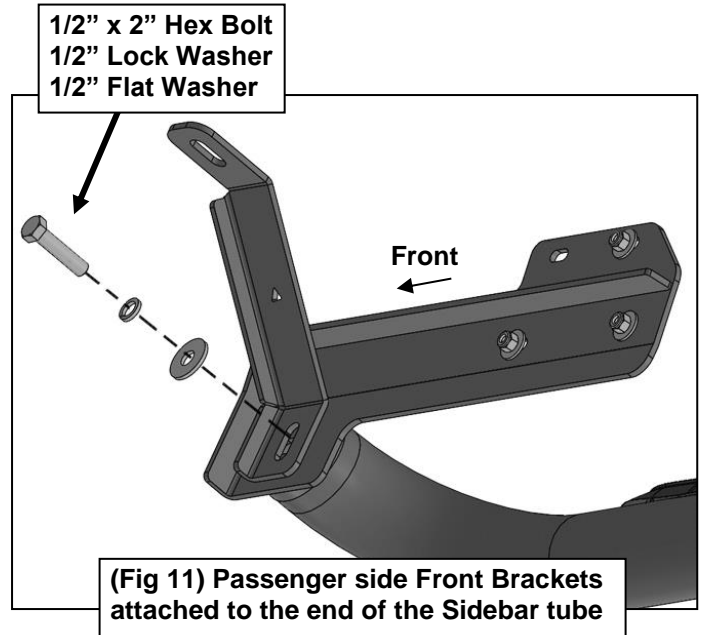
**NOTE: The Front Support Bracket is shorter than the Rear Support Bracket.**



Passenger/right Side Installation Pictured



NOTE: The Front Support Bracket is shorter than the Rear Support Bracket.



1/2" x 2" Hex Bolt  
1/2" Lock Washer  
1/2" Flat Washer

