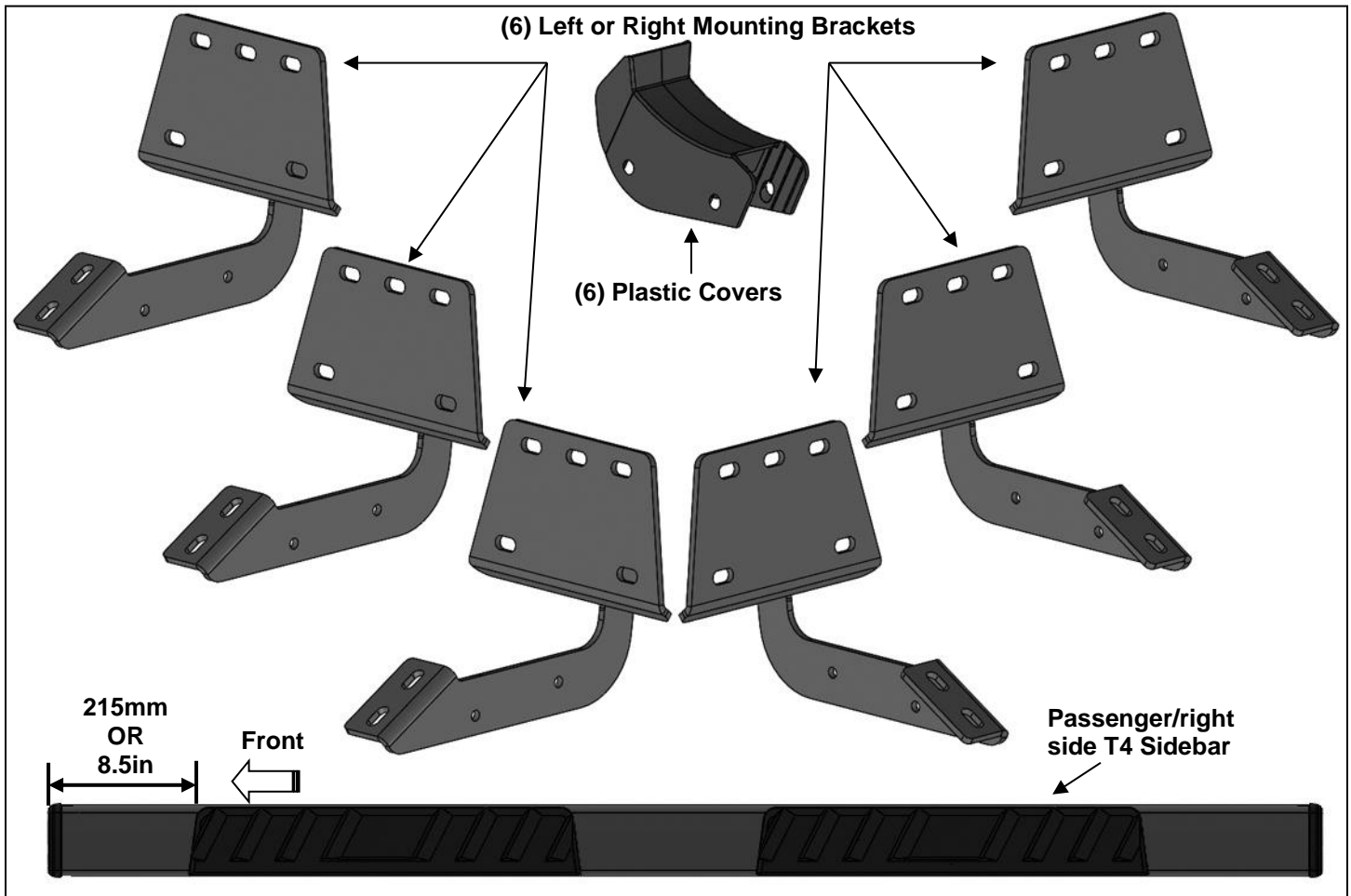


PARTS LIST:

1	Driver/left side T4 Sidebar	12	Plastic Clips for Covers
1	Passenger/right side T4 Sidebar	12	8-1.25mm x 25mm Combo Bolts
6	Universal Brackets	18	8mm x 24mm x 2mm Flat Washers
6	Plastic Bracket Covers	18	8-1.25mm Nylon Lock Nuts



PROCEDURE:

REMOVE CONTENTS FROM BOX. VERIFY ALL PARTS ARE PRESENT. READ INSTRUCTIONS CAREFULLY BEFORE STARTING INSTALLATION. ASSISTANCE IS RECOMMENDED.

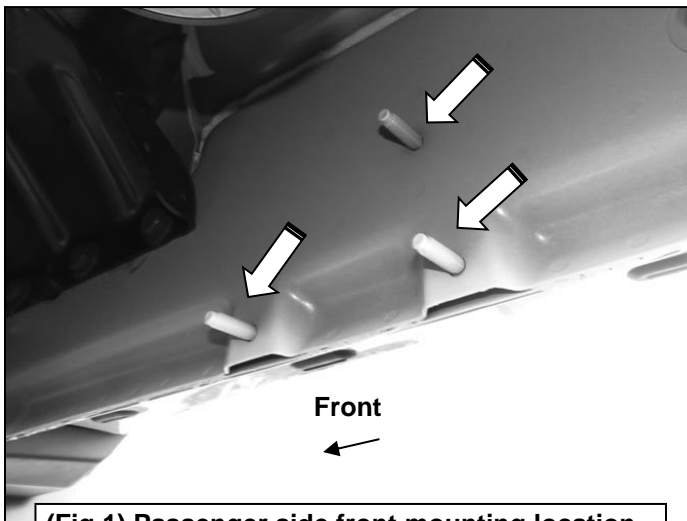
1. Start the installation under the passenger side of the vehicle. Locate the front (3) factory studs along the inner side of the body panel, **(Figure 1)**. **NOTE:** Use a wire brush or die to remove paint buildup on the threaded studs.
2. Select (1) Mounting Bracket. **NOTE:** All (6) Brackets are universal and will fit left or right side. Attach the Mounting Bracket to the (3) factory studs with (3) 8mm Flat Washers and (3) 8mm Nylon Lock Nuts, **(Figure 2)**. Leave brackets loose at this time.
3. Repeat **Steps 1 & 2** to install the Universal Brackets in the center and rear mounting locations along the body panel, **(Figures 3 & 4)**.
4. Select (1) Plastic Bracket Cover. Slide Plastic Cover over Bracket and towards the Bracket flange, **(Figure 5)**. Line up the (2) mounting holes in the Cover with the side holes in the Bracket. Insert (1) Plastic Clip into each hole and push center pin to expand Clip. Repeat this Step for center and Rear Brackets.
5. Carefully unwrap and select the Passenger/right Sidebar. Use the illustration above to help identify the correct Sidebar. **NOTE:** The front stepping pad is closer to the front end of the

Sidebar. Place the Sidebar on top of the Brackets. **IMPORTANT:** Do not slide, (front to back), the Sidebar on the Brackets or damage to the finish may result.

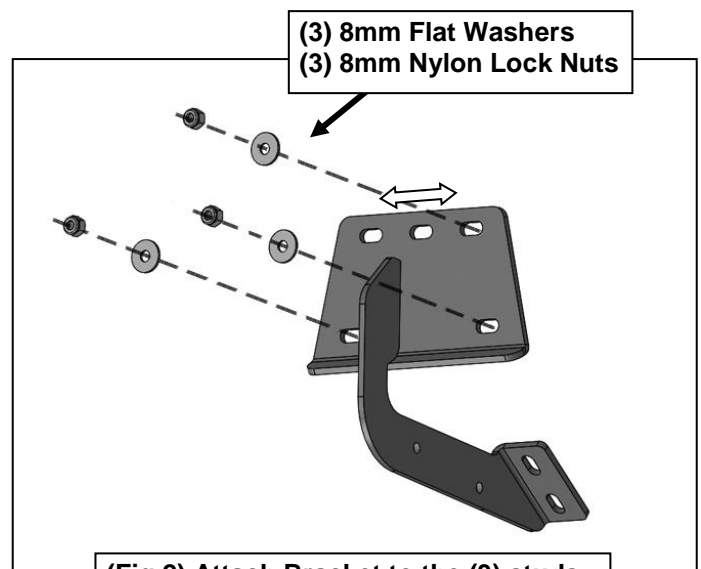
6. Attach the Sidebar to the Brackets with (6) 8mm Combo Hex Bolts, (Figures 6—8). Do not tighten hardware at this time.
7. Level and adjust the Sidebar as necessary and fully tighten all hardware.
8. Repeat **Steps 1—7** for Driver/left Sidebar installation.
9. Do periodic inspections to the installation to make sure that all hardware is secure and tight.

To protect your investment, wax this product after installing. Regular waxing is recommended to add a protective layer over the finish. Do not use any type of polish or wax that may contain abrasives that could damage the finish. Mild soap may be used also to clean the Sidebars.

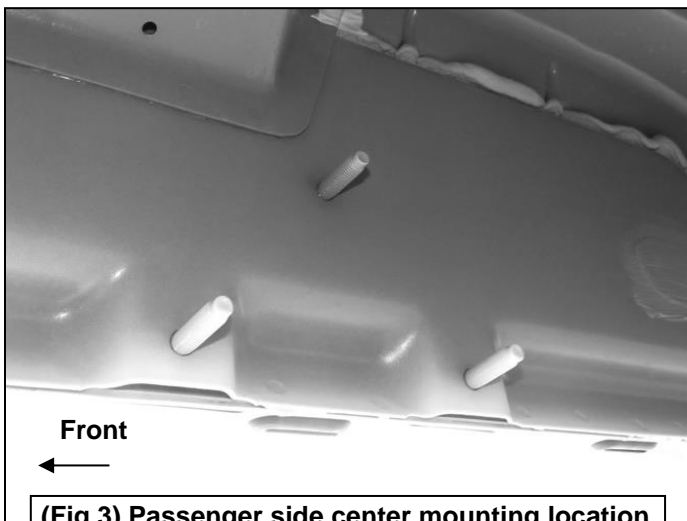
Passenger/right Side Installation Pictured



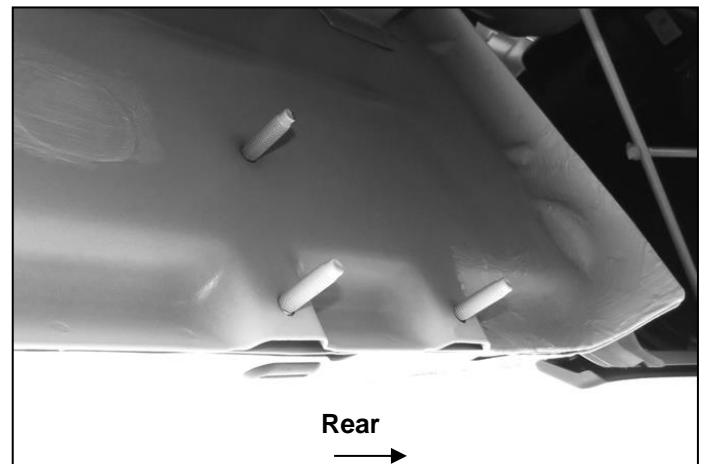
(Fig 1) Passenger side front mounting location



(Fig 2) Attach Bracket to the (3) studs

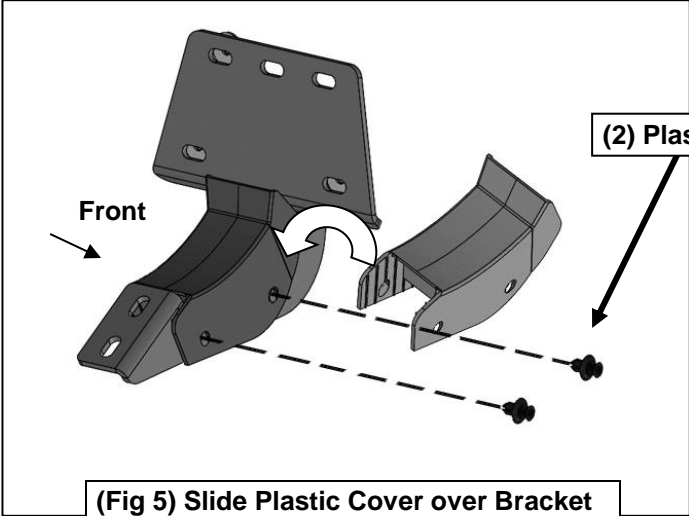


(Fig 3) Passenger side center mounting location

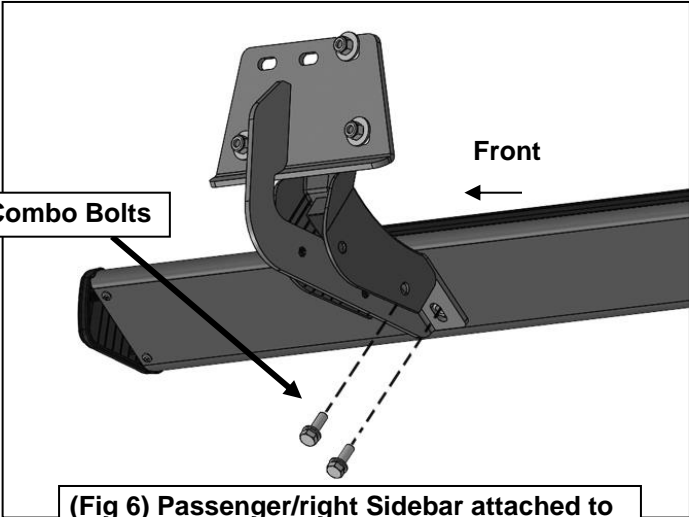


(Fig 4) Passenger side rear mounting location

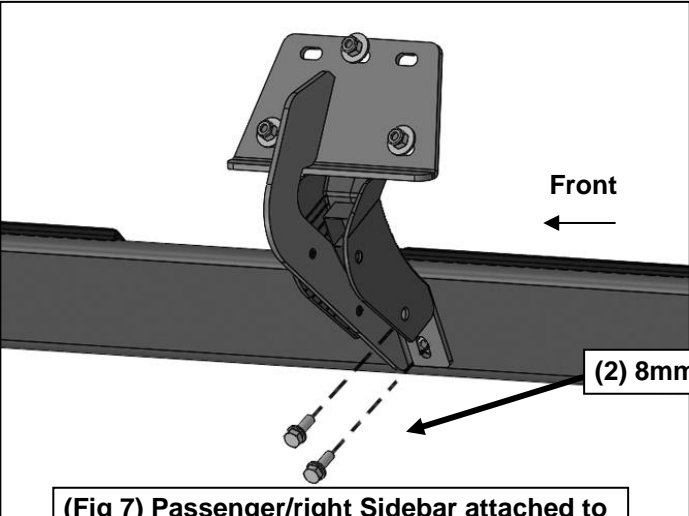
Passenger/right Side Installation Pictured



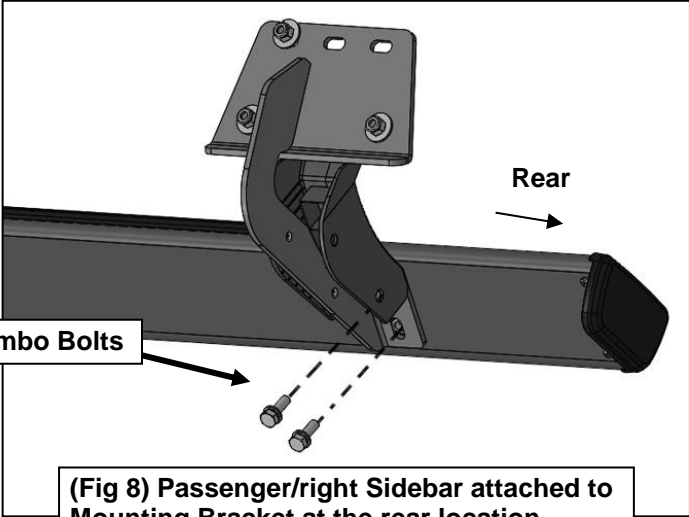
(Fig 5) Slide Plastic Cover over Bracket and towards the Bracket flange



(Fig 6) Passenger/right Sidebar attached to Mounting Bracket at the front location



(Fig 7) Passenger/right Sidebar attached to Mounting Bracket at the center location



(Fig 8) Passenger/right Sidebar attached to Mounting Bracket at the rear location