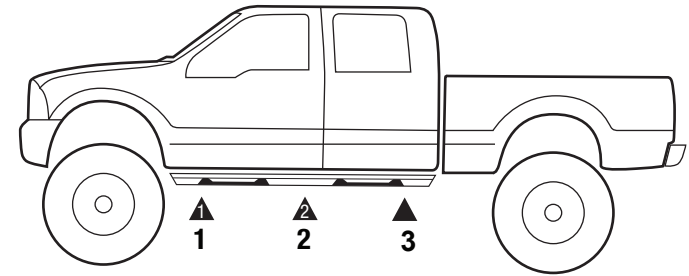


(866) 476-6276 / (866) IRONCROSS
www.ironcrossautomotive.com

PARTS LIST

QTY	PART
2	DRIVER SIDE FRONT BRACKET #1
2	MIDDLE BRACKET #2
2	REAR BRACKET #3
1	HARDWARE KIT

HARDWARE KIT	
8 MM Flange Nuts	12
Flat Plate	6
5/16" Hex Bolt	12
5/16" Serrated Flange Nut	12
5/16" FLAT WASHER	12
5/16" LOCK WASHER	12



BRACKET INSTALLATION

1. Remove contents from box and check for damaged parts. Verify all parts are present, making sure to read and understand instructions before install.
 2. Locate factory threaded studs on inside body panel and pinchweld.
- ↳ Position the bracket over the factory studs. Install 5/16" flat washer and 5/16" lock washer and 8MM Flange Nut on studs . Tighten hardware over bracket.
- ↳ Repeat install on passenger side.

*** FACTORY STUDS MAY HAVE BEEN PAINTED DURING PRODUCTION. IF 8MM NUT IS NOT FITTING TRY BURNING PAINT OFF OF STUD WITH A LIGHTER**

FRONT BRACKET #1



MIDDLE BRACKET #2

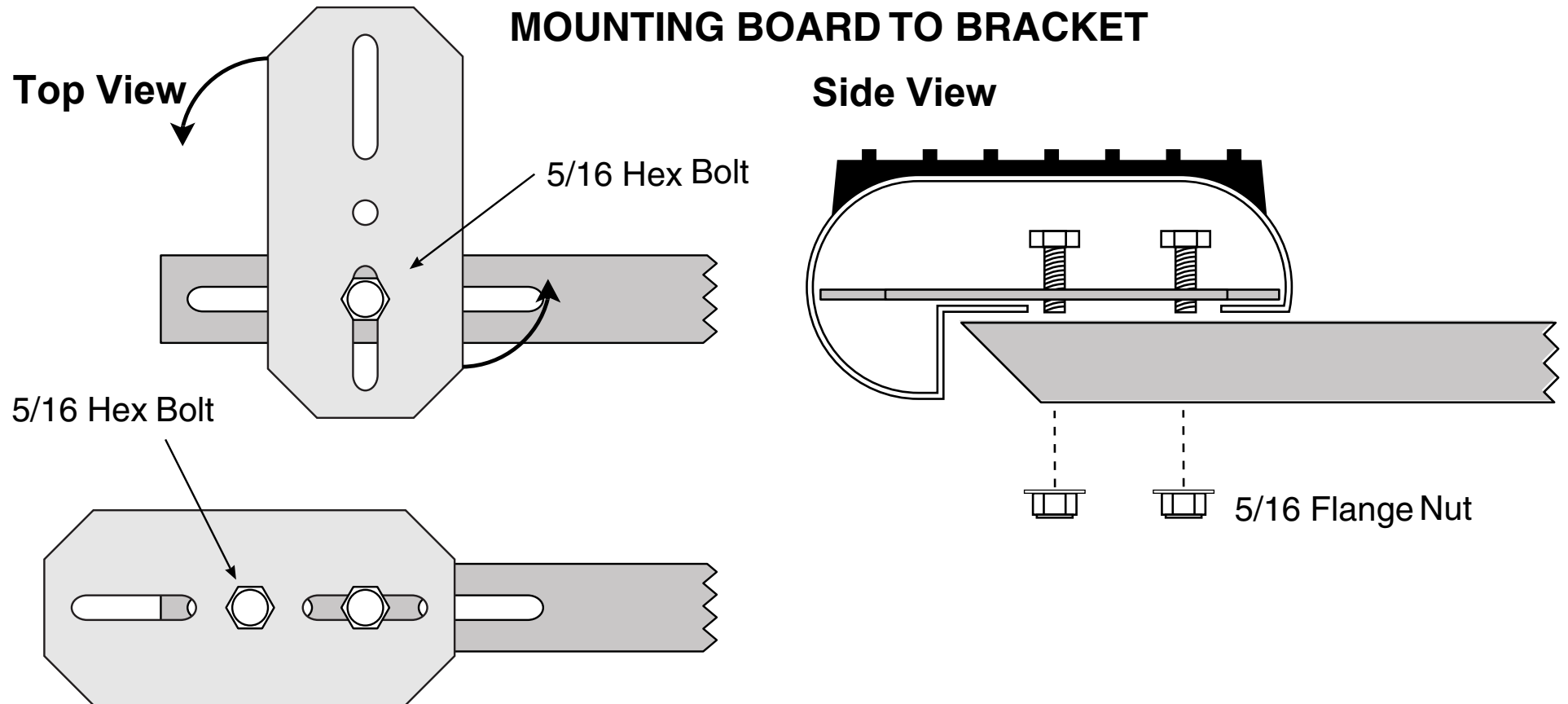


REAR BRACKET #3



Step 2: Install brackets on factory 8 MM threaded studs as shown in Fig 1&2. Hand tighten hardware at this time.

*** Note:** For Regular and Extended Cab, use only 2 Middle/Rear brackets.



Step 3: Now with everything installed. Take a look at the board on your vehicle. There is a lot of adjustment in the kit to get the board where you like them. Adjust boards in and out and side to side with the slots on the bracket where board mounts. Adjust the front and rear brackets first and finish with the middle. Once the boards are in place to your liking, tighten all fasteners on the boards and brackets. This will complete your installation. Enjoy!