

# TRUXPORT

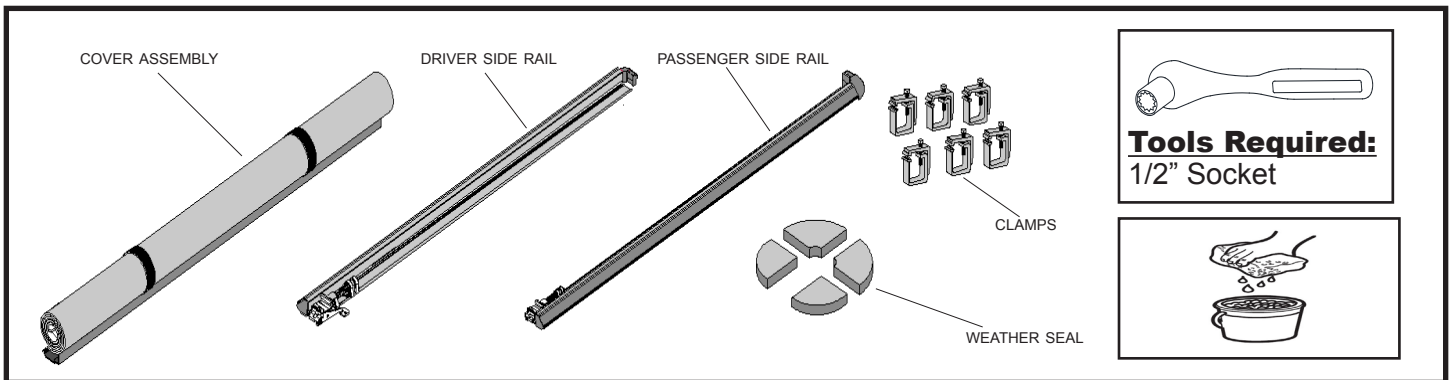
## Owners & Installation Manual

**READ INSTRUCTIONS - Failure to assemble cover properly will void warranty.**



Damaged or missing parts?  
Call **1-877-878-9336**  
Mon - Fri 8 am - 5 pm CT  
Parts will be shipped to you factory direct.  
Do not return kit to place of purchase.

Specify length or make and model of vehicle to inquire about headers, cover, side rails, or bows.

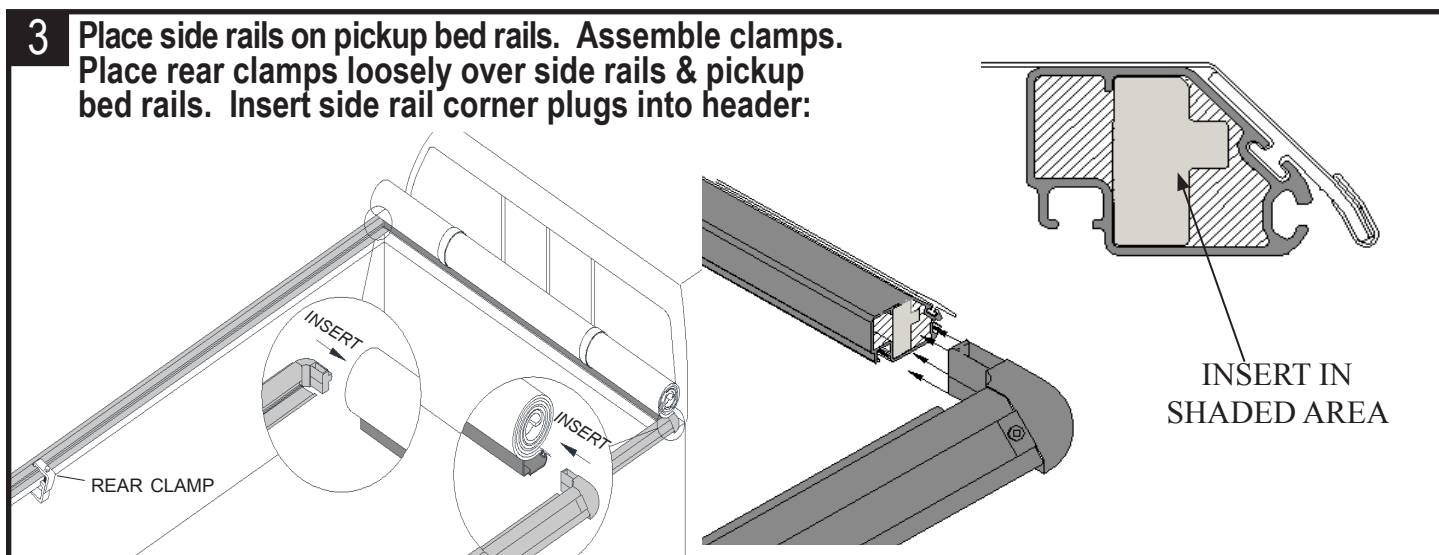
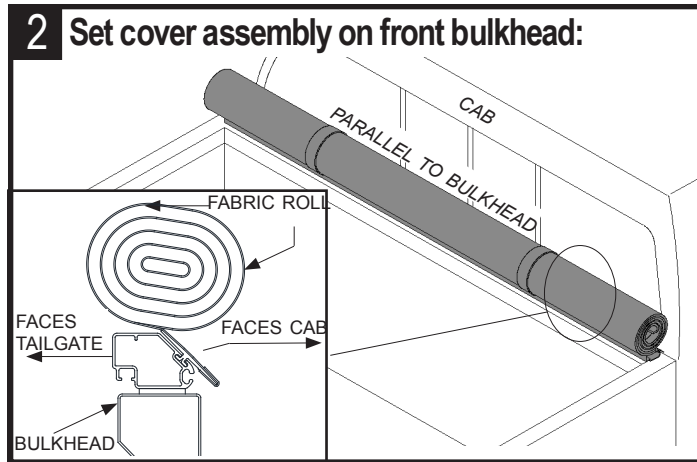
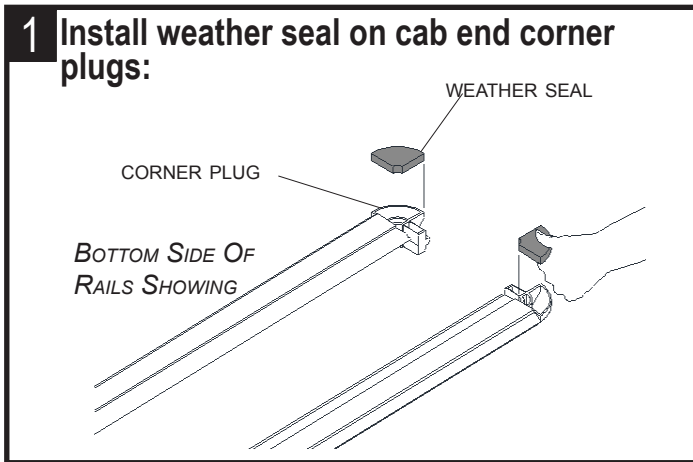


### TruXedo, Inc.

P.O. Box 1078, 2209 Kellen Gross Dr., Yankton, South Dakota 57078  
Call Toll Free: 1-877-TRUXEDO (1-877-878-9336) FAX: (605) 664-9304  
Visit Us Online: <http://www.truxedo.com>

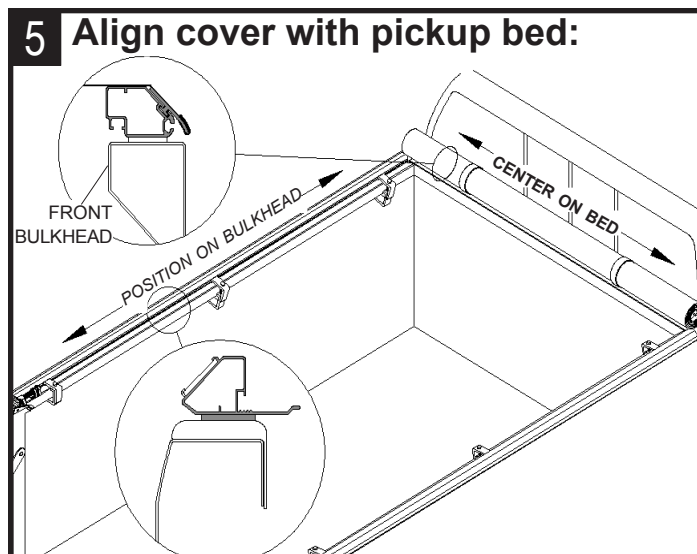
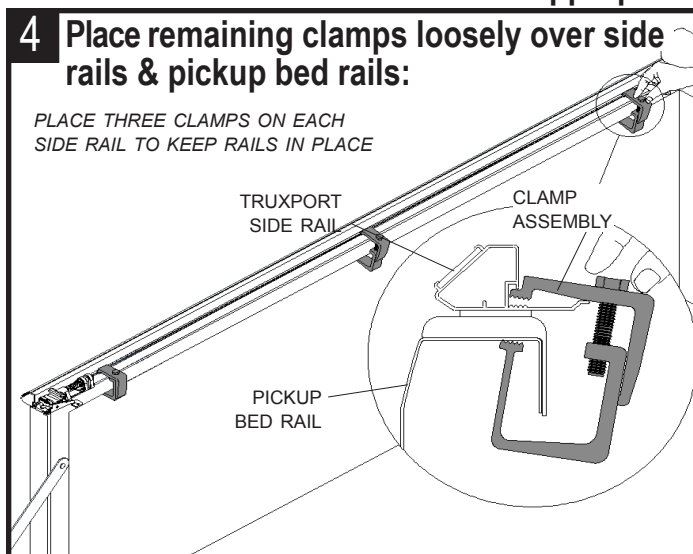
# TRUXPORT

P/N 1116032 Rev AH



**NOTE:**

Additional weather seal may be required for pickups with bed caps, tailgate protectors, or liners. Add weather seal if needed to seal appropriately.

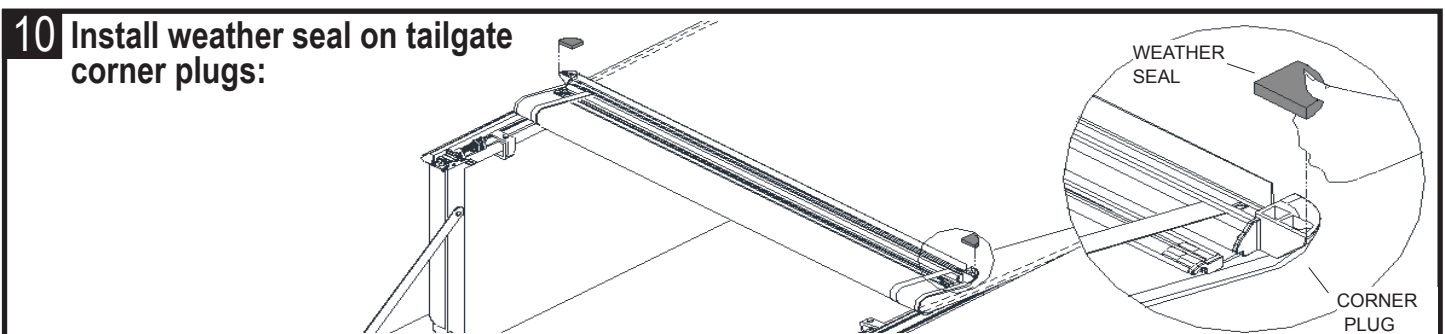
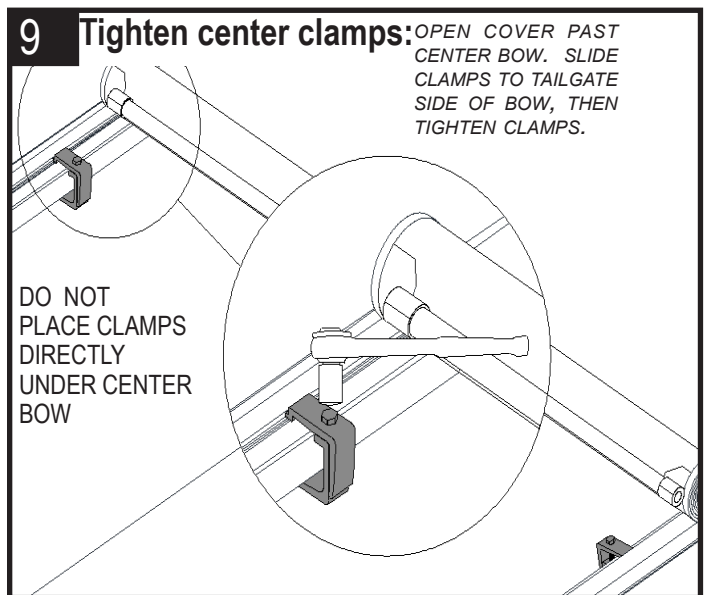
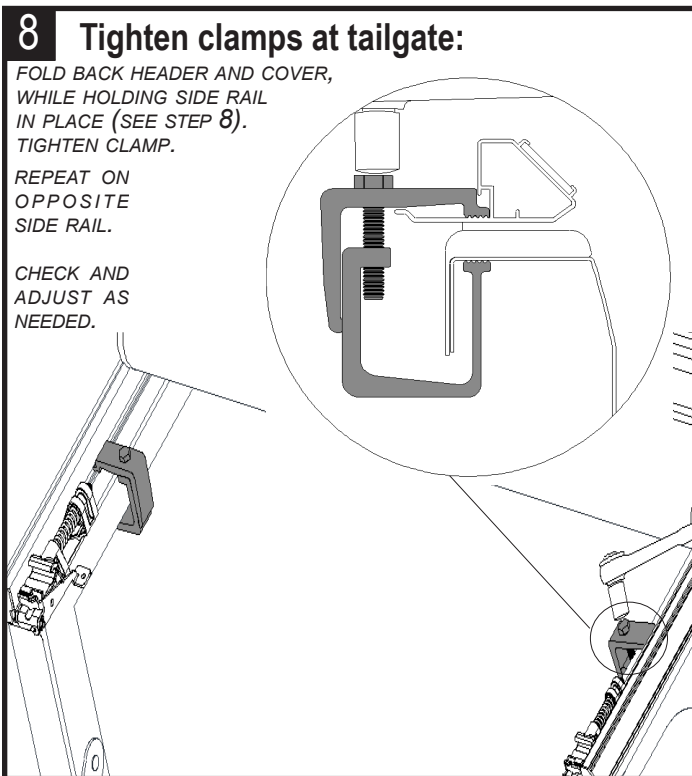
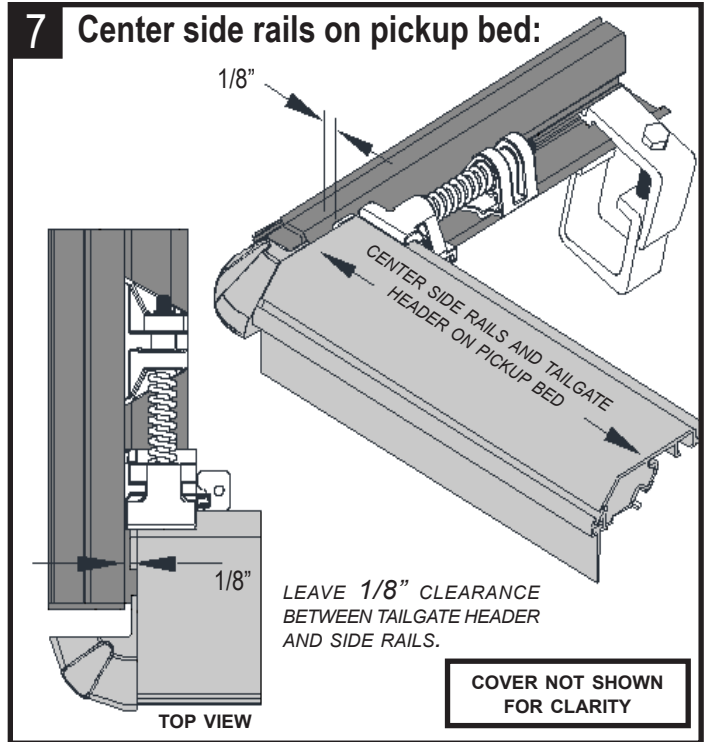
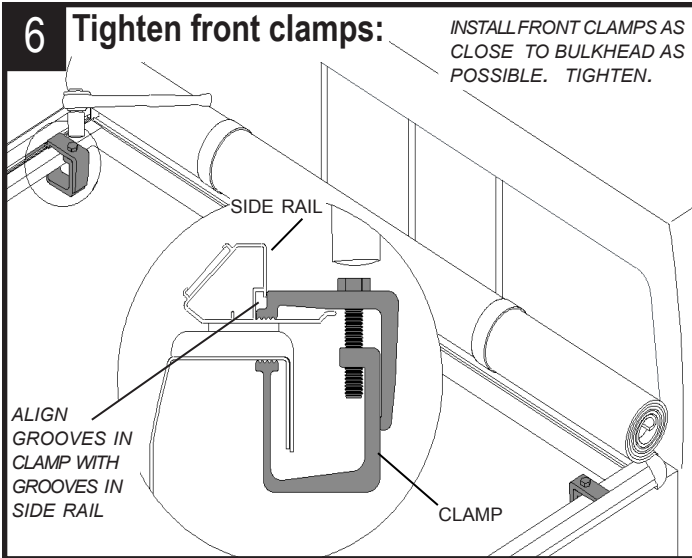


**TruXedo, Inc.**

P.O. Box 1078, 2209 Kellen Gross Dr., Yankton, South Dakota 57078  
 Call Toll Free: 1-877-TRUXEDO (1-877-878-9336) Fax: (605) 664-9304  
 Visit Us Online: <http://www.truxedo.com>



P/N 1116032 Rev AH



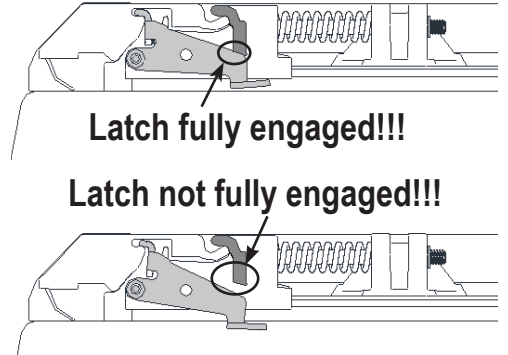
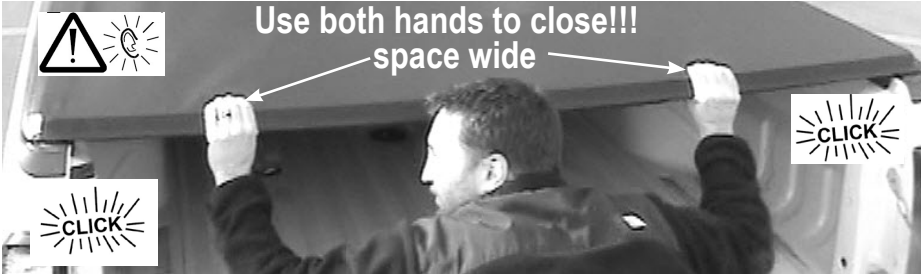
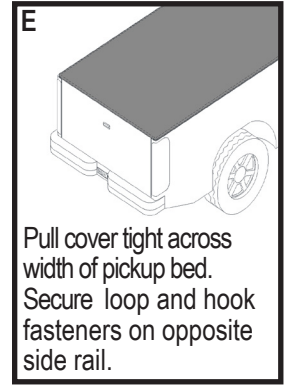
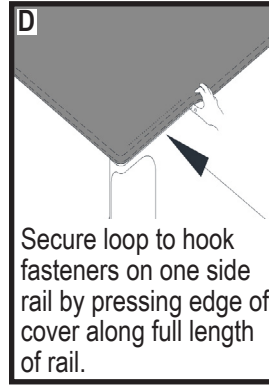
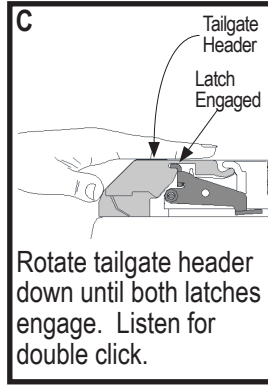
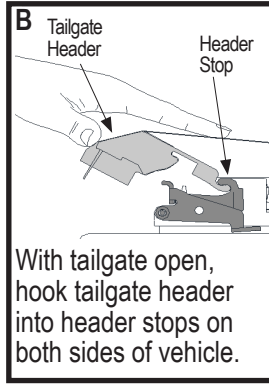
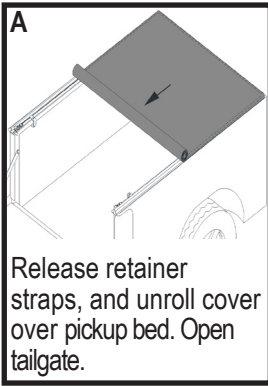
## TruXedo, Inc.

P.O. Box 1078, 2209 Kellen Gross Dr., Yankton, South Dakota 57078  
 Call Toll Free: 1-877-TRUXEDO (1-877-878-9336) Fax: (605) 664-9304  
 Visit Us Online: <http://www.truxedo.com>

**TRUXPORT**

P/N 1116032 Rev AH

## 11 Close cover:



**Both latches must be fully engaged!!!**



- To prevent accidental release of tailgate header, ensure header is securely latched to side rails on both sides of pickup bed before driving vehicle.
- To prevent wind lift, secure loop and hook fasteners along entire length of both side rails before driving vehicle.

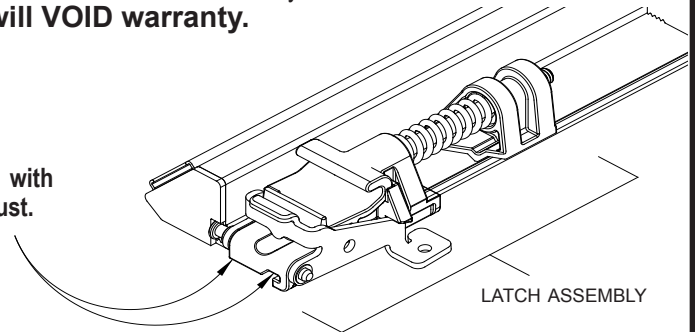
## 12 Cover tension: There is no need to adjust cover length tension. The Latch Assembly is set to the correct tension. Any modification done to this will VOID warranty.

### Keeping cover taut:

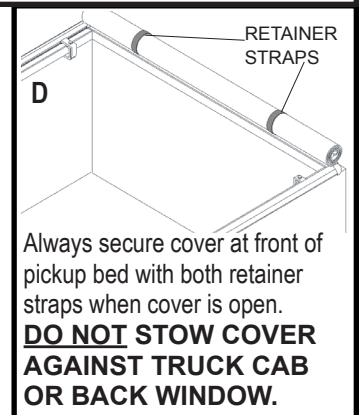
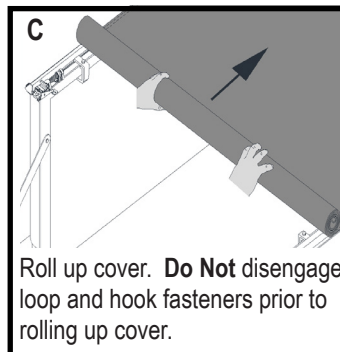
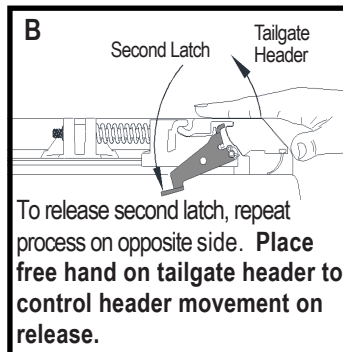
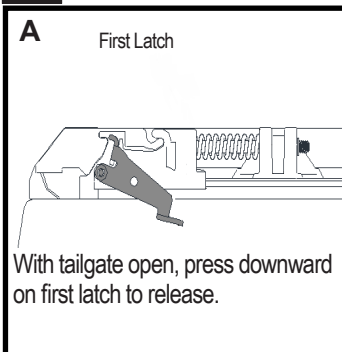
Periodically or as needed, pull cover tight across width of pickup bed, secure loop and hook on side rails.

For ease of operation, periodically clean with high pressure water to remove dirt and dust.

Cover may appear loose or relaxed in cooler or cold conditions.  
Cover may appear tight in warmer or hot conditions.



## 13 Open cover:



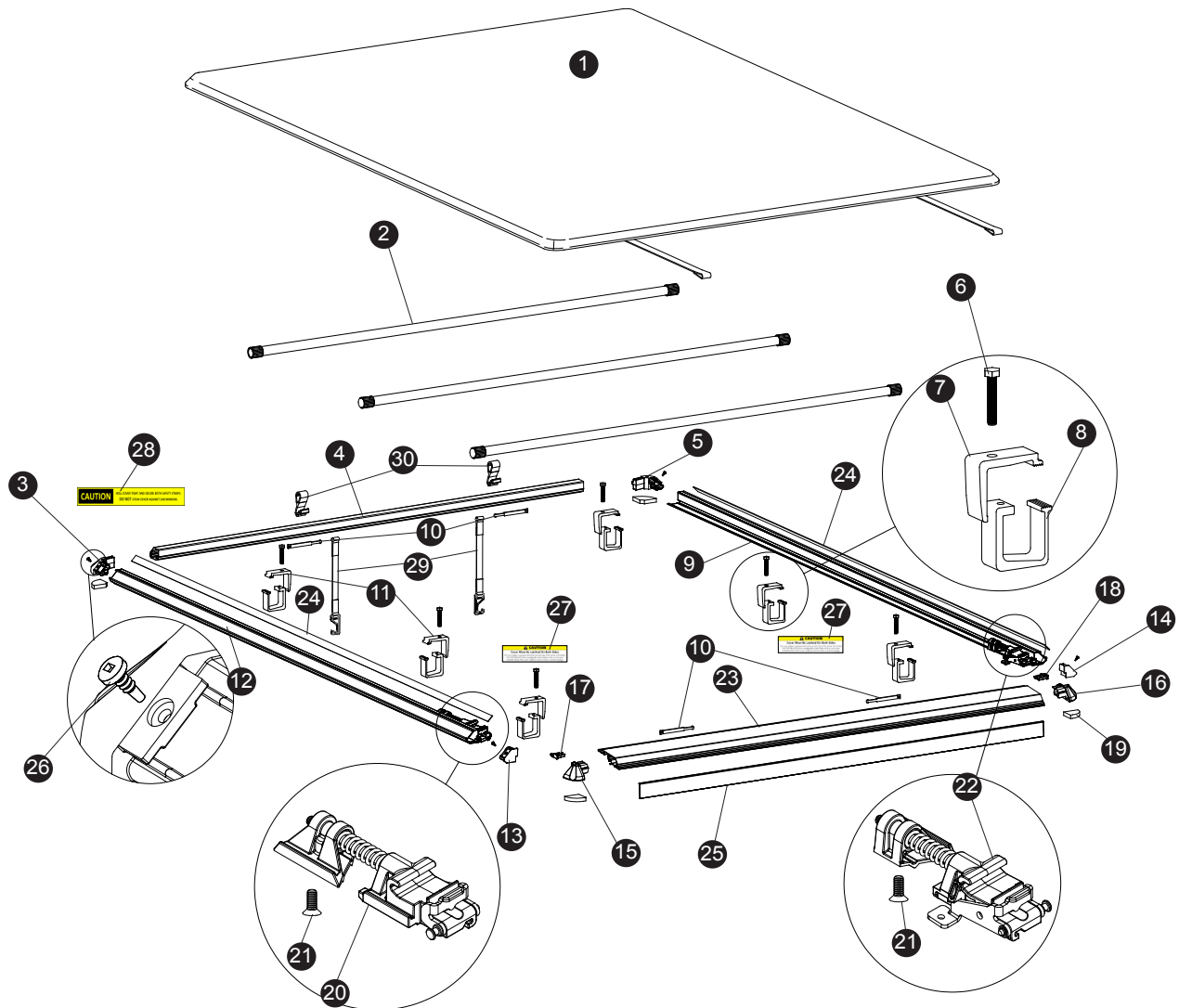
## TruXedo, Inc.

P.O. Box 1078, 2209 Kellen Gross Dr., Yankton, South Dakota 57078  
Call Toll Free: 1-877-TRUXEDO (1-877-878-9336) Fax: (605) 664-9304  
Visit Us Online: <http://www.truxedo.com>

**TRUXPORT**

P/N 1116032 Rev AH

# Replacement Parts



|    |         |                                     |    |         |  |
|----|---------|-------------------------------------|----|---------|--|
| 1  | *       | Truxport® Cover                     | 18 | 1704537 | Small Rear Header End Plug Pass.             |
| 2  | *       | Bow                                 | 19 | 1703568 | Four Corners Weather Seal                    |
| 3  | 1705421 | Corner Plug                         | 20 | 1117868 | Complete Latch Assy, Driver's Side           |
| 4  | *       | Cab End Header                      | 21 | 1703560 | Flat Head Cap Screw                          |
| 5  | 1705420 | Corner Plug                         | 22 | 1117869 | Complete Latch Assy, Passenger's Side        |
| 6  | 1704470 | Cap Screw, 5/16" x 1 3/4"           | 23 | *       | Tailgate Header                              |
| 7  | 1703530 | Male Clamp                          | 24 | *       | Hook Fastener                                |
| 8  | 1703531 | Female Clamp                        | 25 | *       | Rear Header Seal                             |
| 9  | *       | Passenger's Side Rail               | 26 | 1705629 | Self-Drilling Screw, Square Head 6-20 X 3/8" |
| 10 | 1116028 | Retainer Clips                      | 27 | 1703750 | Decal Dual Latch                             |
| 11 | 1703561 | Clamp Assembly (6)                  | 28 | 1705142 | Decal Do Stow Cover Against Cab Window       |
| 12 | *       | Driver's Side Rail                  | 29 | 1118160 | Retainer Strap                               |
| 13 | 1705422 | End Plug Driver's Side              | 30 | 1705761 | Retainer Loop                                |
| 14 | 1705423 | End Plug Pass. Side                 |    |         |  |
| 15 | 1704534 | Large Rear Header End Plug Driver's |    |         |  |
| 16 | 1704535 | Large Rear Header End Plug Pass.    |    |         |  |
| 17 | 1704536 | Small Rear Header End Plug Driver's |    |         |  |

\* Please specify length or make and model of vehicle.

## TruXedo, Inc.

P.O. Box 1078, 2209 Kellen Gross Dr., Yankton, South Dakota 57078  
 Call Toll Free: 1-877-TRUXEDO (1-877-878-9336) Fax: (605) 664-9304  
 Visit Us Online: <http://www.truxedo.com>

# TRUXPORT

P/N 1116032 Rev AH

# FIVE YEAR WARRANTY

TruXedo, Inc. warrants that all new, unused products are free from defects in material and workmanship. This Five Year Limited Warranty is effective if the product is properly installed and used for the purpose intended. It applies to the original buyer only. TruXedo's obligation under this Warranty is limited to repairing, or at its option, replacing any part that is returned, transportation prepaid, to TruXedo, Inc., Yankton, South Dakota, if the product is, in our judgment, defective. All materials must be accompanied by an RMA (Returned Material Authorization) number requested by and authorized in advance of returning the materials. TruXedo, Inc. shall not be liable or responsible to supply or pay labor to replace any part found defective, nor shall it be liable for any damages of any kind or nature to person, product, or property.

There are no Warranties for used products or products that have been repaired, altered, modified, subjected to misuse, negligence, accident or ordinary wear and tear. Warranty registration must be on file and/or proof of original purchase (detailed and dated receipt) required for warranty to be valid. Register online at [www.truxedo.com](http://www.truxedo.com)

DIRECT ALL WARRANTY CLAIMS TO TRUXEDO, INC. AT 1-877-878-9336



## WARNING

Tighten clamps securely on side rails before driving vehicle, to prevent cover from blowing off.

## SAFETY INSTRUCTIONS

1. Do not place objects on or against cover or framework.
2. Do not tie cargo to TruXport framework.
3. **Never** allow children or pets to occupy pickup box while cover is closed.
4. Cover is not airtight. Special care is required to keep cargo clean and dry.
5. Fabric cover won't prevent theft of contents inside truck box.
6. Cover must be rolled fully open and secured with retainer straps when towing vehicle backwards.
7. Rolled opened cover must be tightly rolled, securely cinched down with both retainer straps, and away from the cab and window. **DO NOT STOW COVER AGAINST TRUCK CAB OR BACK WINDOW.**
8. Cover must be rolled fully open and secured with retainer straps if any part of the truck bed cover is worn or damaged.

## OWNER/USER RESPONSIBILITIES

It is the responsibility of the owner/user to read this manual and comply with the operating procedures. The owner/user is also responsible for inspecting their TruXport® cover, and for having parts repaired or replaced when worn or damaged.

Failure to follow safety instructions and warning labels could result in failure of your cover system and/or personal injury.

## MESSAGES TO INSTALLER

- Always wear safety glasses and/or other necessary protective equipment when installing your TruXport®.
- These instructions are complete for most pickup models. Additional instructions are included, if required for your pickup. Please read entire manual before installing your TruXport®.

## COVER MAINTENANCE

Vinyl cover can be hand washed with mild soap and water or cleaned in a car wash. Thoroughly rinse cover to remove any soap residue. Recommended to use the tested and approved Protex cleaner or any vinyl protectant made for truck bed covers. **Never use any vinyl conditioners (ie, Armor All®) that contain silicone, petroleum, or citrus based products on your truck bed cover as they may crack and shrink the vinyl.**

### Questions?

Call our friendly customer service staff at TruXedo, Inc. Toll Free:

**1-877-878-9336**

Mon - Fri 8 am - 5 pm CT

**Warranty registration must be on file and/or proof of original purchase (detailed and dated receipt) required for warranty to be effective.**

**Register online at [www.truxedo.com](http://www.truxedo.com)**

## TruXedo, Inc.

P.O. Box 1078, 2209 Kellen Gross Dr., Yankton, South Dakota 57078

Call Toll Free: 1-877-TRUXEDO (1-877-878-9336) Fax: (605) 664-9304

Visit Us Online: <http://www.truxedo.com>

# TRUXPORT

P/N 1116032 Rev AH