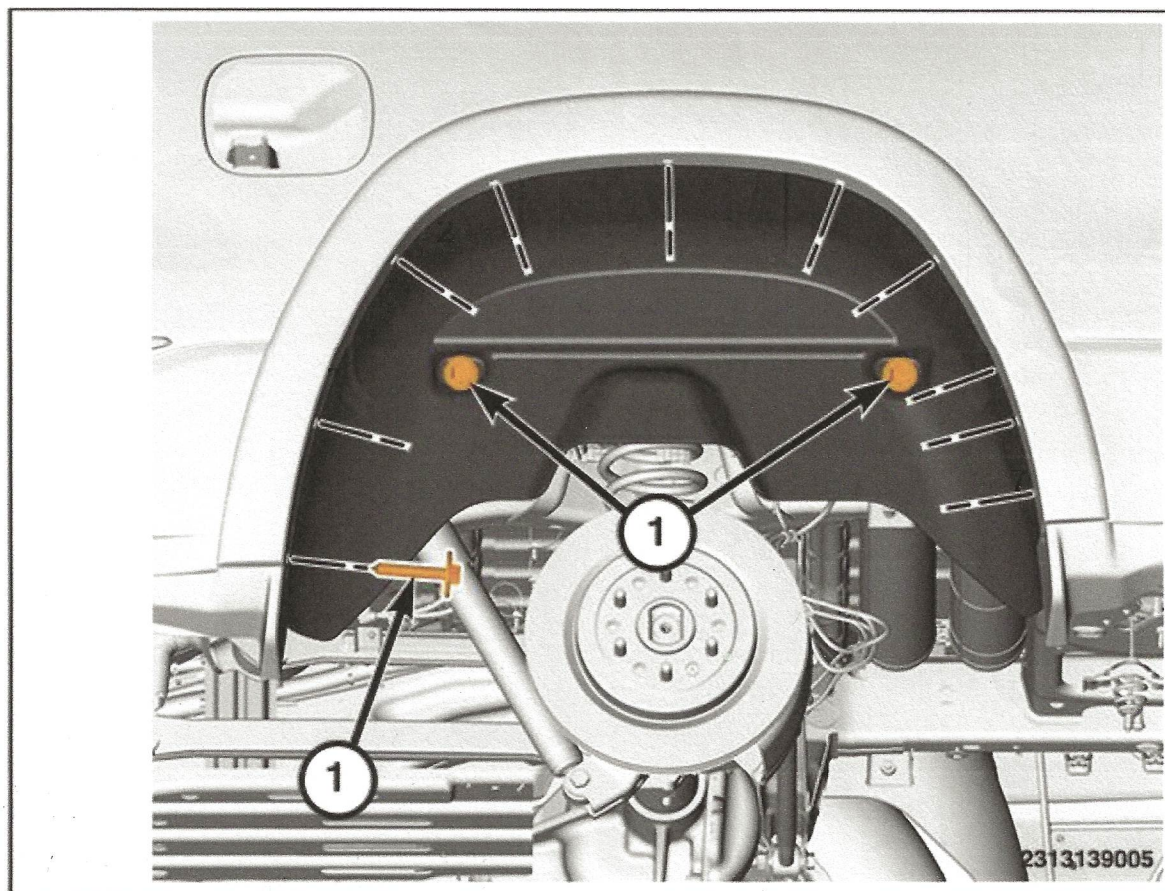
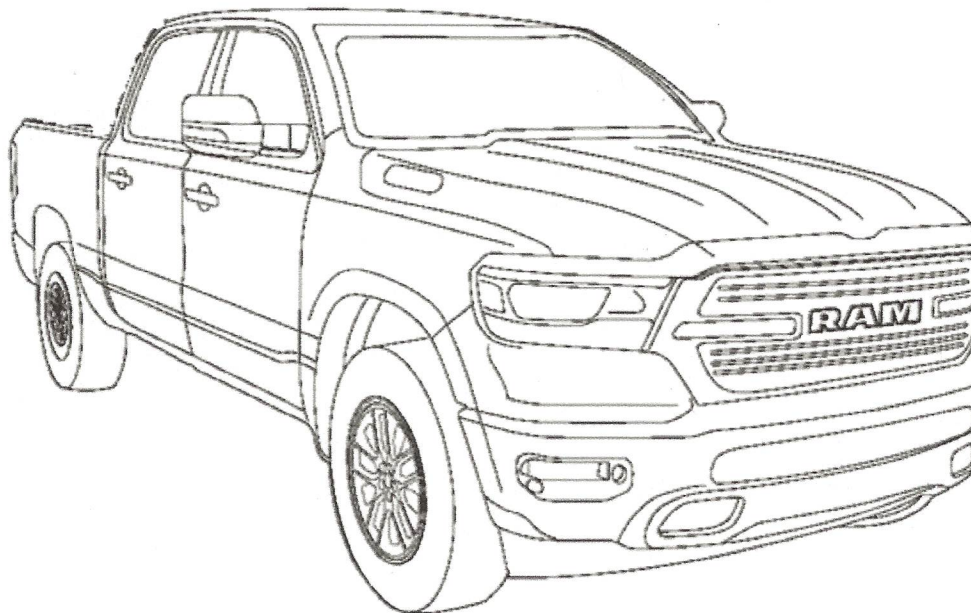


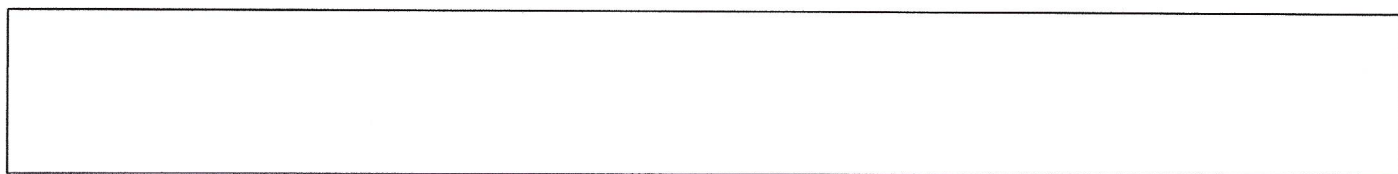


RAM DT 1500 Rear Wheel Liners

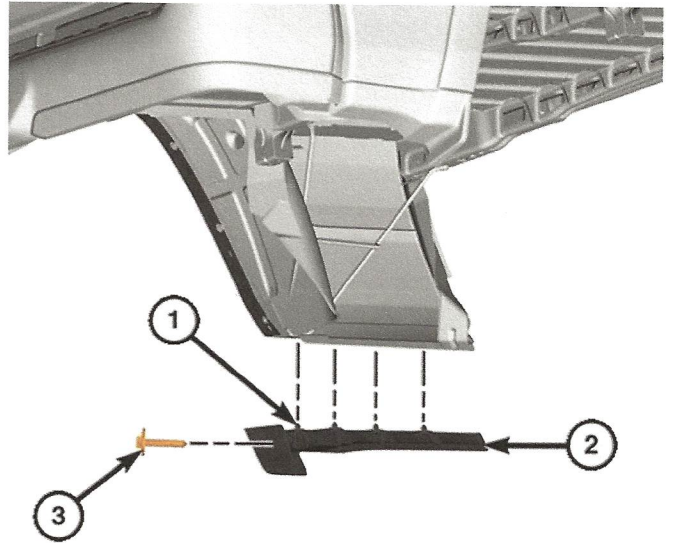
www.mopar.com



Call Out	Description	Quantity	Part Number
1	M6 U Nut (06509500AA)	18	82216333AA
2	M6 Mounting Fastener (06510175AA)	24	
3	RH Wheel Liner (68275910AB)	1	
4	LH Wheel Liner (68275911AB)	1	

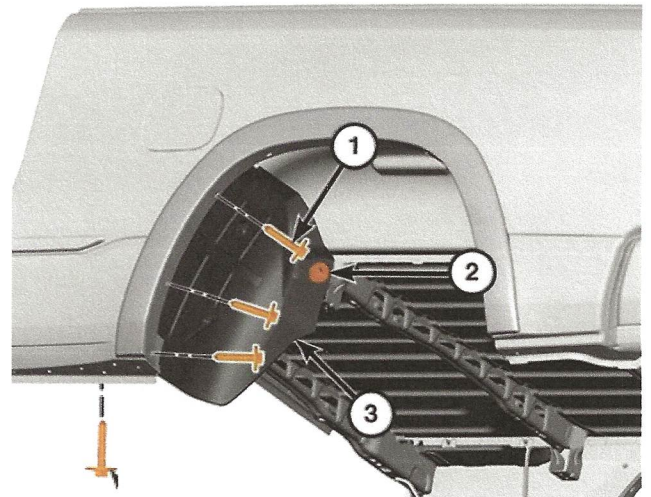


1. Remove the spat screw (3) for the shield being serviced



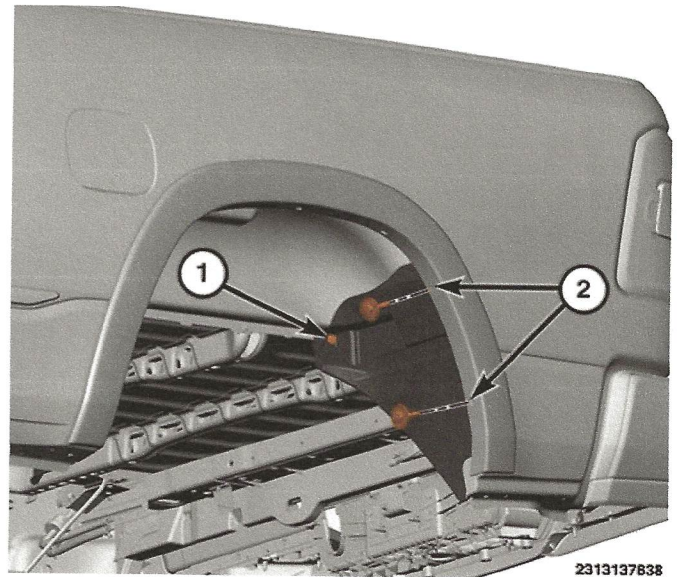
2313137634

2. If equipped, remove the three screws (1) attaching the front shield (3) to the box side.
3. Remove the inner screw (2) and remove the shield (3)

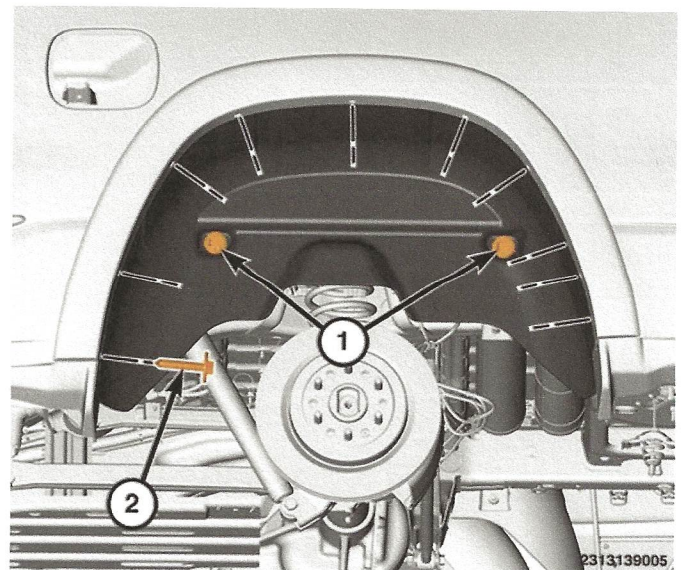


2313137637

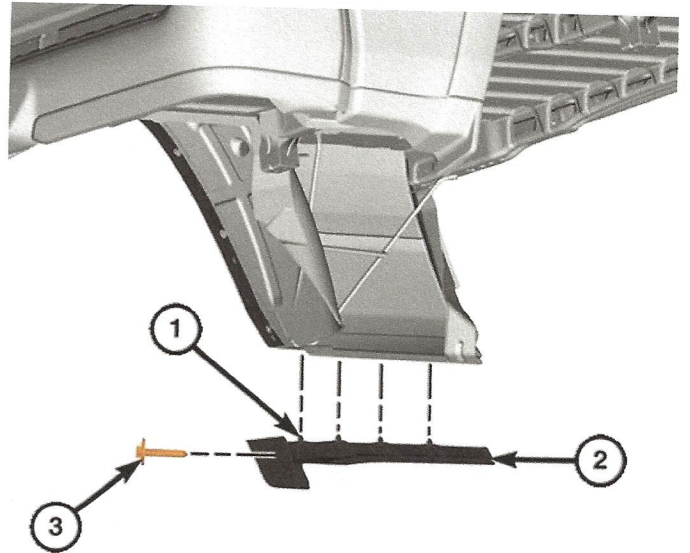
4. If equipped, remove the two screws (2) attaching the rear shield to the box side.
5. Remove the inner screw (1) and remove the rear shield



6. Install the Full Splash Shield; Install the supplied U-Nuts and Molding Screws (2) to the cargo Box, Tighten Securely
7. Install the two inner screws (1), Tighten Securely



8. Install the spat screw for the shield being serviced. Tighten the screw securely.



2313137634

Torque Fastener to 6Nm

9. Repeat Steps 1-8 for opposite side of the vehicle.