



# PREMIUM EZ HARD FOLDING TONNEAU COVER

---

## INSTALLATION INSTRUCTIONS

### CONTENTS

---

- (1) Tonneau Cover
- (4) Clamps
- (4) Locking Pins

### TOOLS REQUIRED

---

N/A



**STEP 1**

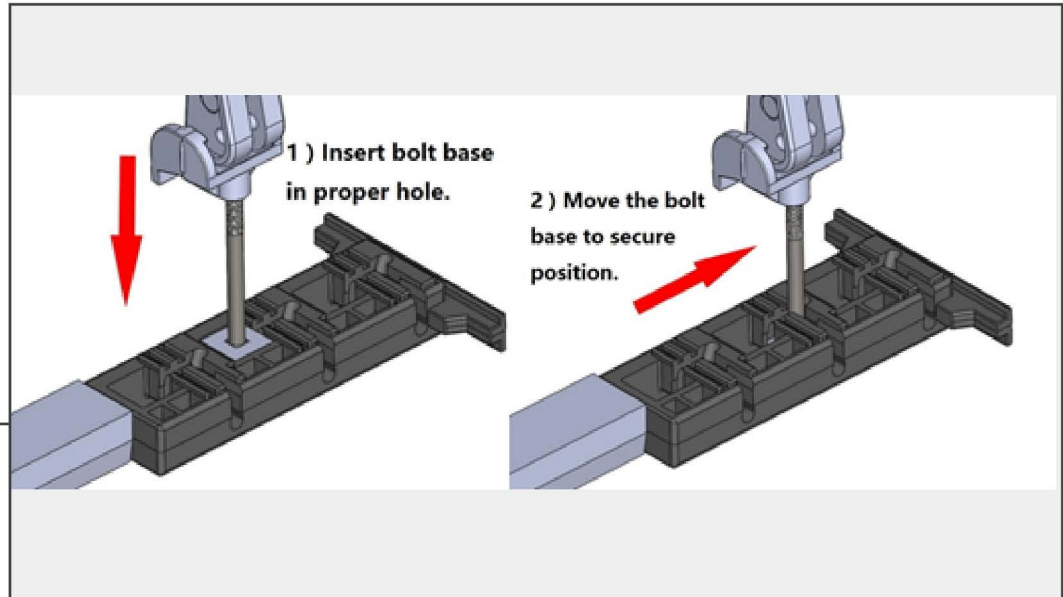
Place the tonneau cover over the bed closest to the cab.



**STEP 2**

Unfold the tonneau cover over the bed. Align the tonneau cover to be centered on the bed. Once centered, carefully refold the tonneau cover.

**STEP 3**



Insert the clamping bolt into the threaded insert. Move the bolt and threaded insert to the appropriate mounting location.

Repeat this procedure for all of the mounting points.

**STEP 4**



Secure the front clamps to the bed by pulling the clamp handle down to latch the clamp to the inner bed rail. Once the handle is down, insert the locking pin into place.

Note: Do not clamp onto the vehicle bed liner.



**STEP 5**

Using the attached safety straps, secure the straps to the inner bed rail. Tighten the knob until secure.



**STEP 6**

Unfold the tonneau cover. Install the hold down latches to the bed rails where the tonneau cover folds down. Be sure the tonneau cover is secured into place inside the latches, adjust as necessary.



---

**STEP 5**

Installation is now complete.