





THIS KIT CONTAINS

1. "C" Spacers x2
2. 10mm replacement Bolts x4
3. 10mm replacement Nuts x4
4. Extra washers for bolt length spacing



IMPORTANT

PLEASE READ INSTRUCTIONS COMPLETELY BEFORE INSTALLATION. IF YOU DO NOT CLEARLY UNDERSTAND ANY PART OF INSTALLATION INSTRUCTIONS, DO NOT ATTEMPT TO INSTALL YOURSELF. HAVE A QUALIFIED PROFESSIONAL PERFORM INSTALLATION.

RBP ASSUMES NO LIABILITY FOR ANY DAMAGE CAUSED BY IMPROPER USE AND/OR INSTALLATION OF ITS PRODUCTS.

IMPORTANT

SAFETY WARNING

Always use the correct tools and wear safety goggles. We strongly recommend installation by a licensed mechanic on a properly secured locking lift.

VEHICLE RIDE WARNING

Trucks with lift or level kits installed will have higher centers of gravity than stock. Aggressive driving and sudden direction changes can cause an unexpected rollover.

TIRE FITMENT

The best way to ensure proper tire fitment is to install the kit before purchasing your wheel and tires. Always test fit tires and wheel before purchasing.

INSTALLATION TIPS

Trucks are often not level side to side from the factory. Always measure before installation.

Always re-torque all hardware to the manufacturer's original specifications.

In order to get the best tire wear, use the supplied alignment specifications. OEM specifications are for trucks with stock wheels and tires. Larger tires will wear differently.

All instructions are written for vehicle on a two-post lift with tires removed.

Always use caution when handling ABS or wheel sensor wiring. Avoid tension of any kind of wiring harness as this may cause damage or failure.

INSTALLATION

1. Using jack and jack stands, jack the front of the truck up.
2. Remove wheels 22mm.
3. Remove bolts on lower strut mount. 15mm.
4. Remove stock keeper nut.
5. Insert 5 ft prybar into upper control arm, between the frame and control arm on the rear side of the arm. This will take about 200 lbs of force. Do not try to force beyond light contact with the upper control arm bump stop..

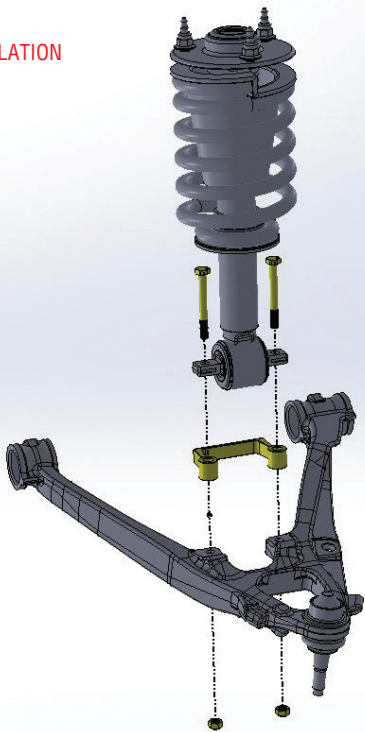
NOTE: The limit to lifting this truck is the upper control arm bump stop. Maintain at least 1/4" of clearance on this bump stop on level ground or a harsh ride may result. Trucks vary depending on options and wheelbase.

6. Insert C shaped part between strut and control arm.
7. Install new bolts and nuts supplied with kit. Washer should go under bolt head, not the nut. It is there to prevent the bolt from touching the axle. Bolt heads are at bottom, the nut is installed at top 17mm.
8. Release pry bar tension.

INSTALLATION

9. Reinstall wheels.
10. Lower from jack stands and test drive.
11. The vehicle will now require an alignment. The toe setting changes with the lift installation.

INSTALLATION



INSTALLATION

Alignment Notes:

We recommend that a technician with experience doing alignments on lifted trucks perform the alignment. Large tires wear differently than OEM sized tires. Always do an alignment after changing tires on a vehicle.

	Left	Right
Caster (degrees)	0	-.25
Camber (degrees)	2	2.5
Toe	1/16 or .0625 inch toe in	
Special Tools	None	







R
ROLLING BIG POWER

RBPTM
ROLLING BIG POWER

WWW.ROLLINGBIGPOWER.COM

RBP-GM4600RX