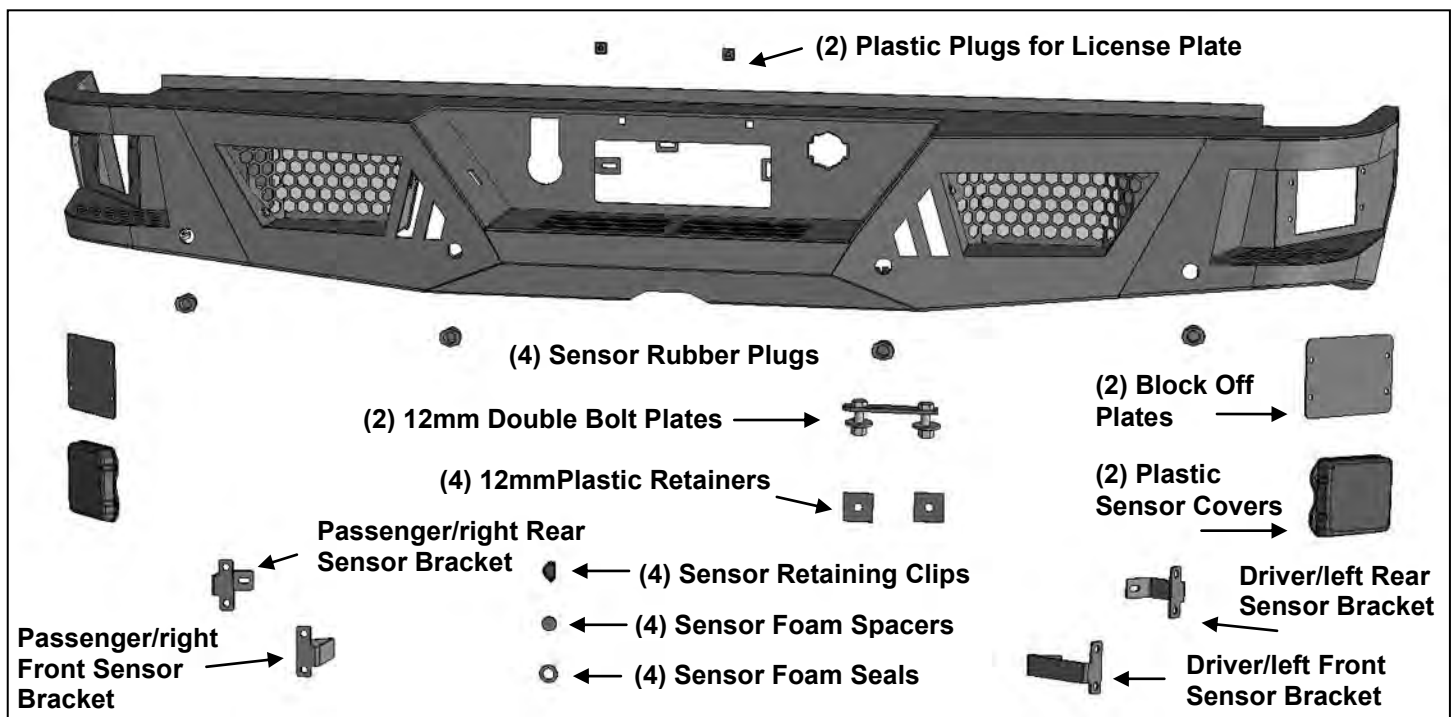


PARTS LIST:

1	LD-1 Rear Bumper	4	12mm Plastic Retainers
1	Driver/left Front Sensor Mounting Bracket	4	12mm x 37mm x 3mm Flat Washers
1	Driver/left Rear Sensor Mounting Bracket	4	12mm Lock Washers
1	Passenger/right Front Sensor Mounting Bracket	4	12mm Hex Nuts
1	Passenger/right Sensor Mounting Bracket	2	6mm x 20mm Combo Bolts
2	Plastic Sensor Covers	8	6-1.0mm x 20mm Button Head Bolts
2	Flat Block-off Covers	4	6-1.0mm x 20mm Hex Bolts
2	Plastic Plugs for License Plate	16	6mm x 18mm x 1.6mm Flat Washers
4	Sensor Rubber Plugs	12	6mm Lock Washers
4	Sensor Foam Seals	12	6mm Hex Nuts
4	Sensor Foam Spacers	8	4-0.75mm x 10mm Button Head Bolts
4	Sensor Retaining Clips	1	4mm Wrench
1	Sensor Cover Kit	1	2.5mm Wrench
2	12-1.75mm x 40mm Double Bolt Plates	10	Plastic Wire Ties



PROCEDURE:

REMOVE CONTENTS FROM BOX. VERIFY ALL PARTS ARE PRESENT. READ INSTRUCTIONS CAREFULLY BEFORE STARTING INSTALLATION. BUMPER IS HEAVY, ASSISTANCE IS HIGHLY RECOMMENDED TO AVOID POSSIBLE INJURY OR DAMAGE TO THE VEHICLE.

1. Remove the license plate and the (2) factory bolts behind the license plate, **(Figures 1 & 2)**.
2. Unplug all wiring harnesses leading to the bumper including tire pressure monitoring system (TPMS) and remote antenna, **(Figures 2 & 3)**. Unplug the trailer plug, **(Figure 4)**.
3. Place blocks or jack stands under the bumper to support it during mounting bolt removal. Assistance is highly recommended to remove the bumper. Starting on the passenger/right side, remove the factory bolt attaching the side of the bumper to the bumper support bracket, **(Figure 5)**. Remove the (2) factory flange nuts attaching the bumper to the frame, **(Figure 6)**. Repeat this Step to remove the factory hardware on the driver/left side. With assistance, pull bumper straight out from vehicle.
4. Move the OE rear bumper to clean and stable surface. Unplug and remove the sensors, (if equipped), trailer plug, license lights, remote antenna with TPMS assembly bracket & the spare tire access lock from the back of the bumper, **(Figures 7—9)**. Remove wire harness from bumper.
5. Determine if the vehicle is equipped with parking sensors, cross traffic sensors and remote antenna:

Models without bumper parking sensors:

- a. Select the included (4) Rubber Plugs.
- b. From behind bumper, push plugs into sensor mounting holes, **(Figure 10)**.

Models with bumper mounted parking sensors:

- a. Remove the silicone seal from the end of the sensor. Slide the included Foam Washer over front of sensor, **(Figure 11)**.
- b. Attach (1) Foam Spacer to (1) Retaining Clip, **(Figure 12)**.
- c. Slide the sensor tabs into the sensor sleeve openings on the back of the Rear Bumper. Push and lock the Retaining Clip into the sensor sleeve holes, **(Figure 12)**.
- d. Repeat the above steps for each rear sensor.

Models with Tire Pressure Monitoring System (TPMS):

- a. Select the factory remote antenna with TPMS assembly, **(Figure 13)**.
- b. Push the (3) clips on the TPMS assembly into the slots in the mounting tabs on the Bumper, **(Figure 14)**.

Models without cross traffic sensors:

- a. Select (1) Steel Block Off Plate. Attach the Plate to the back of the driver/left end of the Bumper with (4) 6mm Button Head Bolts, (4) 6mm Flat Washers, (4) 6mm Lock Washers and (4) 6mm Hex Nuts, **(Figure 15)**. Repeat to install the remaining Plate on the passenger/right side of the Bumper.

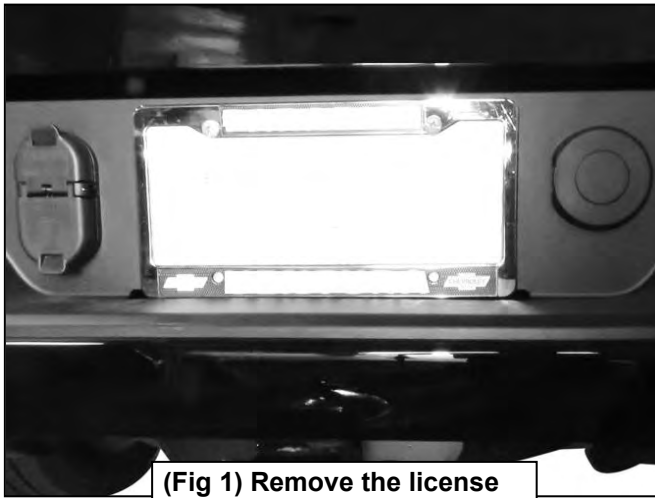
Models with cross traffic alert sensors (CTA):

- a. Select (1) Plastic Cover. Insert (4) 6mm Button Head Bolts through the Cover and Bumper.
 - b. Select the driver/left Front Sensor Bracket, **(Figure 16)**. Attach the Bracket to the 6mm Bolts with (2) 6mm Flat Washers, (2) 6mm Lock Washers and (2) 6mm Hex Nuts, **(Figure 17)**. **IMPORTANT:** Passenger/right Front CTA Bracket looks similar to driver/left front bracket but has notch on Bracket to identify it, **(Figure 16)**. Driver/left front Bracket does not feature notch for identification.
 - c. Repeat previous Step to install the (1) driver/left Rear Sensor Bracket, **(Figure 17)**.
 - d. Attach the Sensor to the Brackets with the included (2) 6mm x 20mm Hex Bolts, (4) 6mm Flat Washers, (2) 6mm Lock Washers and (2) 6mm Hex Nuts, **(Figures 18 & 19)**. **IMPORTANT:** Do not overtighten hardware as damage to Plastic Cover and/or sensor may result.
 - e. Repeat previous Steps to attach the passenger/right Plastic Cover, Brackets and sensor. **IMPORTANT:** Passenger/right Front Sensor Bracket looks similar to driver/left front bracket but has notch on Bracket to identify it, **(Figure 16)**.
6. Select the driver/left license plate light. Attach the license light to the mounting tab on the back of the bumper with (1) 6mm Combo Bolt, **(Figure 20)**. Repeat Step to install the passenger side factory license plate light.
 7. Snap the trailer plug & spare tire access lock into the openings in the Rear Bumper, **(Figure 21)**. Insert the (2) Plastic Plugs to attach the license plate to the Bumper, **(Figure 21)**.
 8. Plug the sensors, license lights & remote antenna with TPMS assembly back into the bumper wire harness. **NOTE:** Run the wire harness over the light mounting tabs on the back of the Bumper to avoid any interference with the exhaust. **NOTE:** If necessary, cut the electrical tape on the wire harness to reach the outer sensors.
 9. **LED light installation at ends of bumper (not included)**.
 - a. Insert light into opening and up to mounting slots. Check for clearance between front and back of light. If necessary, remove the screen from the back of the opening for additional clearance or access to light, **(Figure 22)**.
 - b. Follow the light manufacturer's instructions to attach (1) light to the center slot or (2) lights to the inner and outer slots in the top of the light opening.
 - c. Repeat the above steps for passenger side light installation.
 - d. Follow light manufacturer's instructions to properly wire the light to the electrical system.
 10. Remove the bumper support brackets from the outside of the frame, **(Figure 23)**.
 11. Select (1) 12mm Double Bolt Plate. Insert the Bolt Plate up and into the back of the bracket on the driver/left side of the Bumper, **(Figure 24)**. Thread the (2) 12mm Plastic Retainers onto the Bolt Plate to hold it in position, **(Figure 25)**. Repeat to install the Double Bolt Plate on the passenger/right side of the Bumper. Temporarily support the weight of the Bumper. **WARNING:** To avoid possible injury or damage to the vehicle, do not proceed until the Bumper is fully and safely supported.

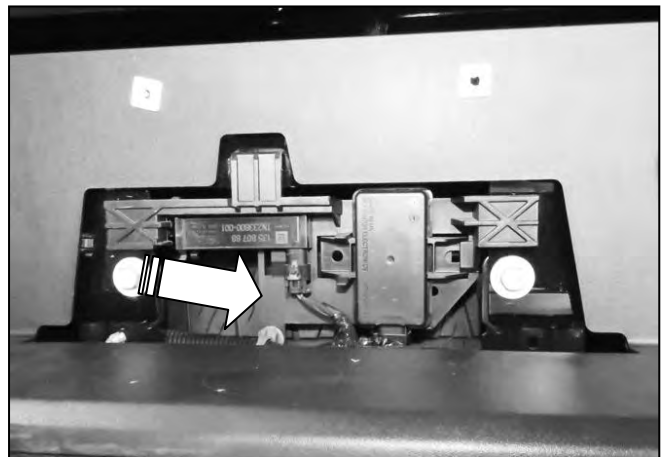
**LD-1 REAR BUMPER
2019 SILVERADO 1500**

12. With assistance, position the Bumper Assembly up to the frame. Attach the Bumper to the frame with the included (4) 12mm Flat Washers, (12mm Lock Washers and (4) 12mm Hex Nuts, (**Figures 26 & 27**). Do not fully tighten hardware at this time.
13. Level and adjust the bumper and fully tighten all hardware. Slowly open tailgate and check for clearance. Adjust as necessary.
14. Plug the bumper wire harness & trailer plug into the vehicle harness.
15. Do periodic inspections to the installation to make sure that all hardware is secure and tight.

To protect your investment, Do not use any type of polish or wax that may contain abrasives that could damage the finish. Mild soap may be used to clean the Bumper assembly.



(Fig 1) Remove the license plate from the rear bumper



(Fig 2) Remove the (2) factory bolts from behind the license plate. Release the wiring harnesses leading to the sensor and antenna if equipped (arrow)



(Fig 3) Unplug all wire harnesses leading to the Bumper



(Fig 4) Unplug the trailer plug (arrow)



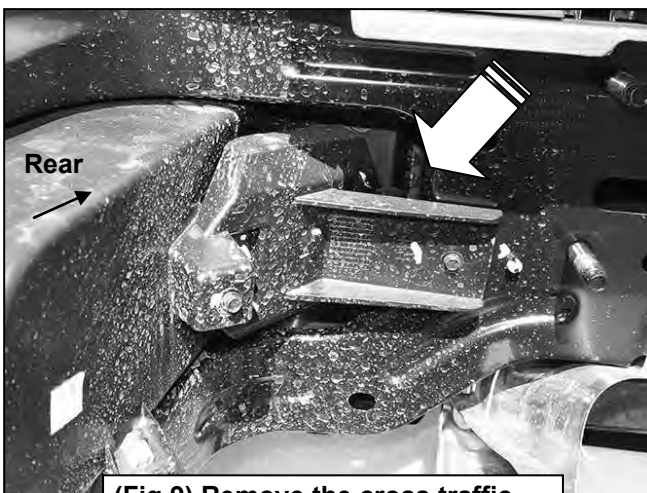
(Fig 5) Remove the bolts attaching the outer bumper supports to the bottom of the bumper (arrow)



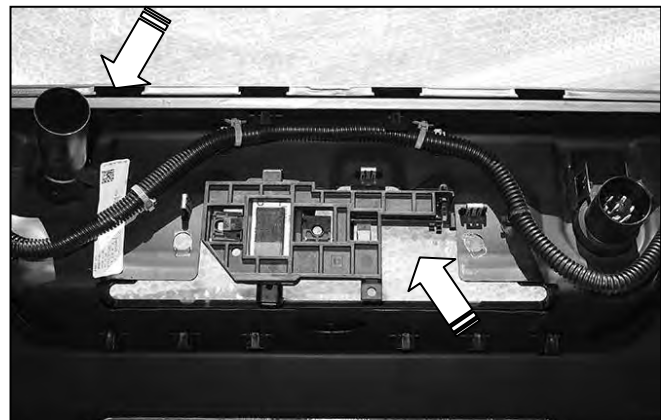
(Fig 6) Remove the (2) flange nuts per side attaching the bumper to the frame



(Fig 7) Remove the license plate lights, the trailer plug and wiring harness

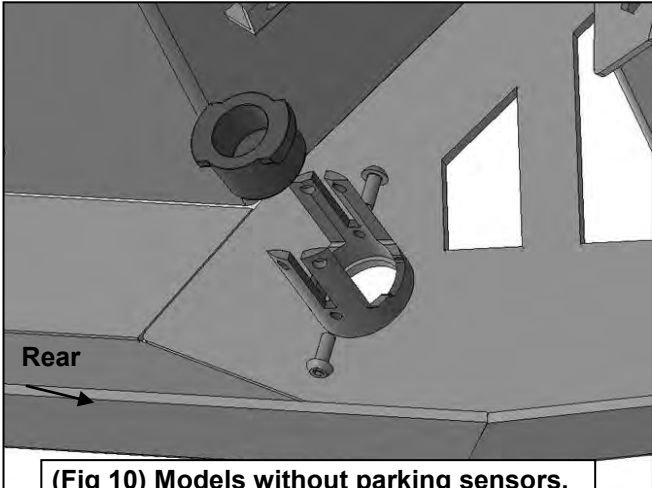


(Fig 9) Remove the cross traffic sensors if equipped (arrow)

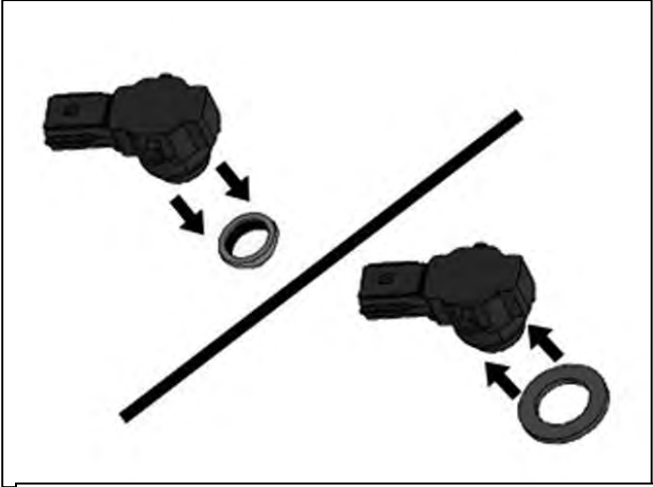


(Fig 8) Remove the sensors, remote antenna with TPMS assembly & spare tire access tube from the back of the bumper. Also remove wire harness.

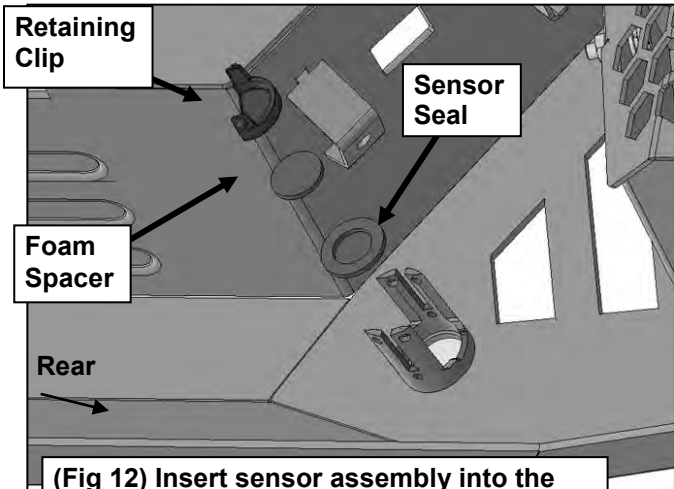
Driver/left side installation pictured



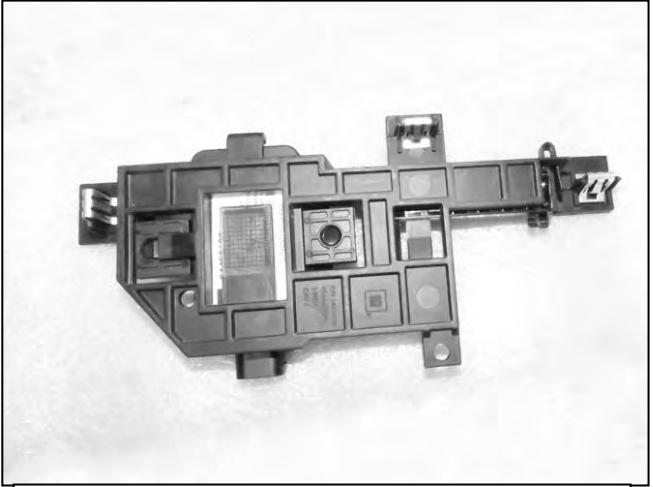
(Fig 10) Models without parking sensors, insert Rubber Plugs into sensor mounts



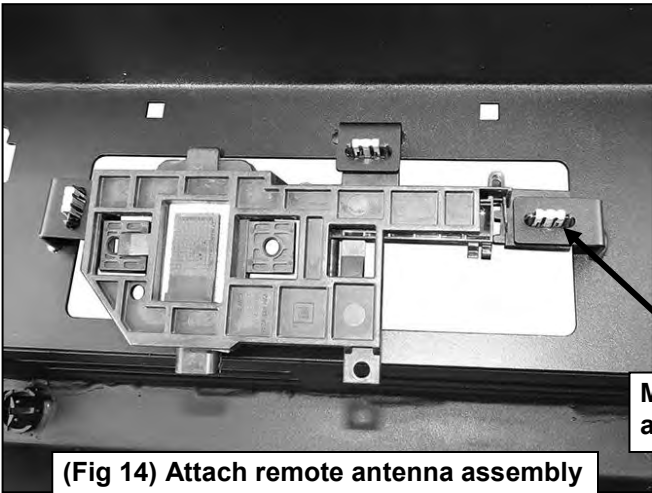
(Fig 11) Models with parking sensors, remove the silicone seal from sensor. Slide Foam Seal over end of sensor (arrow)



(Fig 12) Insert sensor assembly into the sensor sleeve. Secure with Retaining Clip.



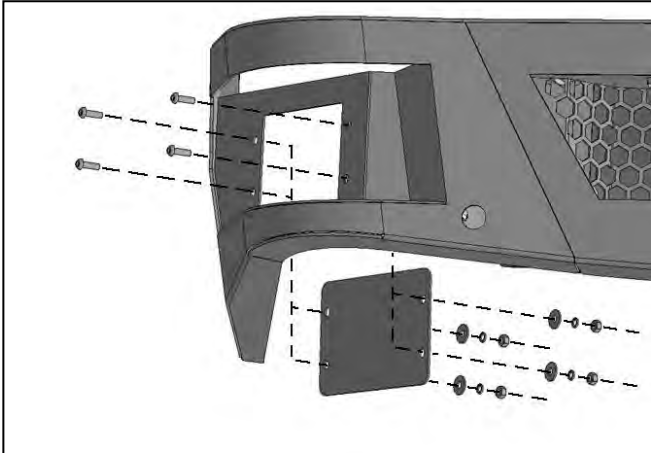
(Fig 13) Remote antenna with TPMS assembly



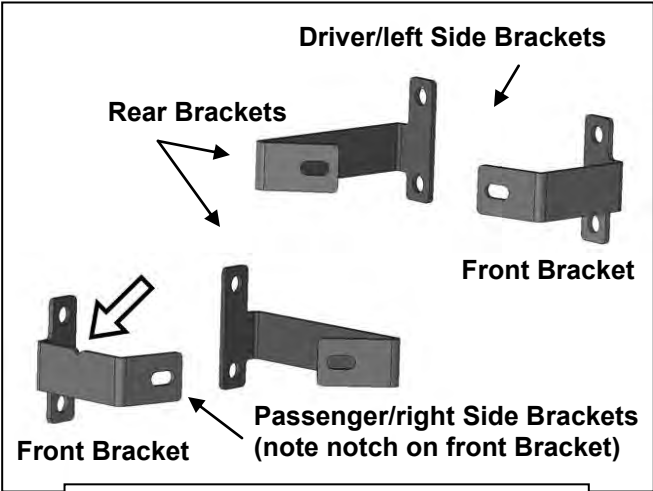
Mounting tabs for remote antenna assembly

(Fig 14) Attach remote antenna assembly (Fig 13), to slots in mounting tabs

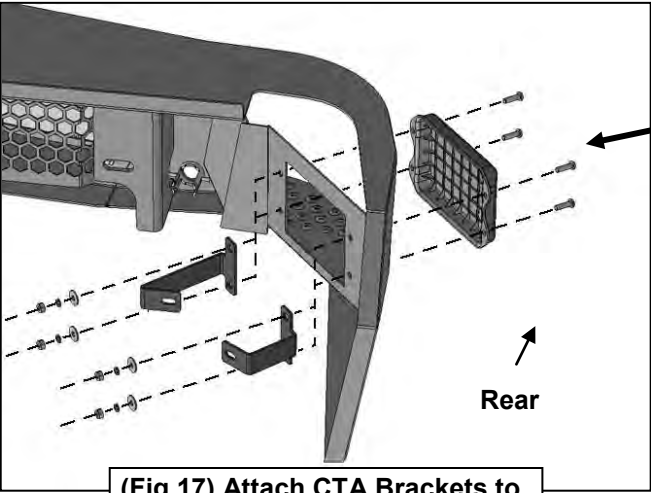
Driver/left side installation pictured



(Fig 15) Models without cross traffic alert sensors (CTA), attach Block Off Plates to Bumper

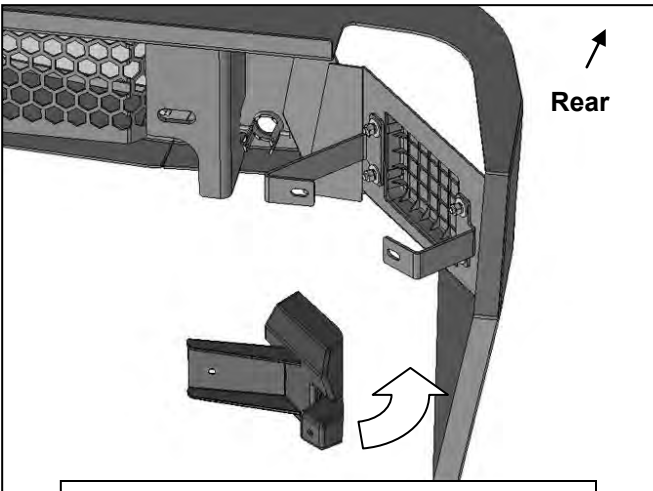


(Fig 16) Select driver/left CTA Brackets

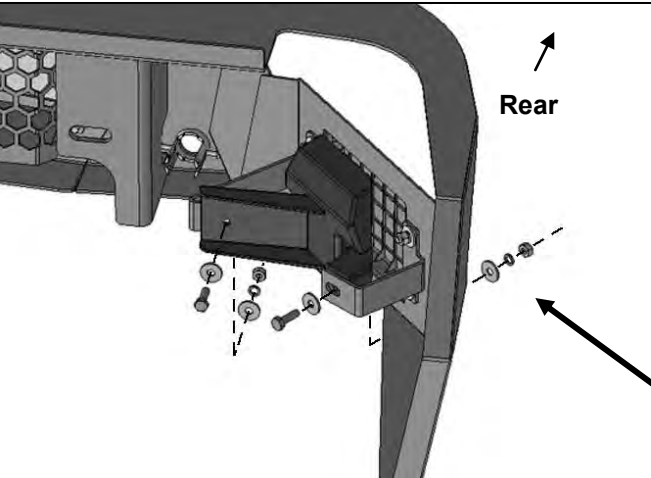


(Fig 17) Attach CTA Brackets to inside of Bumper and Cover

- (4) 6mm x 20mm Button Head Bolts
- (4) 6mm Flat Washers
- (4) 6mm Lock Washers
- (4) 6mm Hex Nuts



(Fig 18) Slide CTA sensor into Brackets

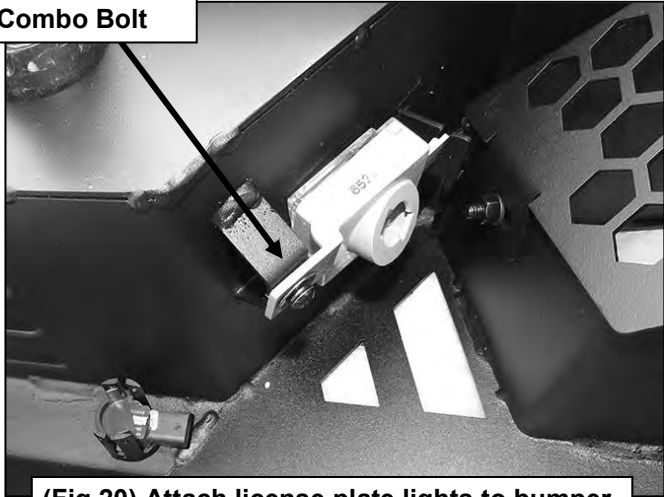


(Fig 19) Attach sensor to tabs on end of Bumper

- (2) 6mm x 20mm Hex Bolts
- (4) 6mm Flat Washers
- (2) 6mm Lock Washers
- (2) 6mm Hex Nuts

Driver/left side installation pictured

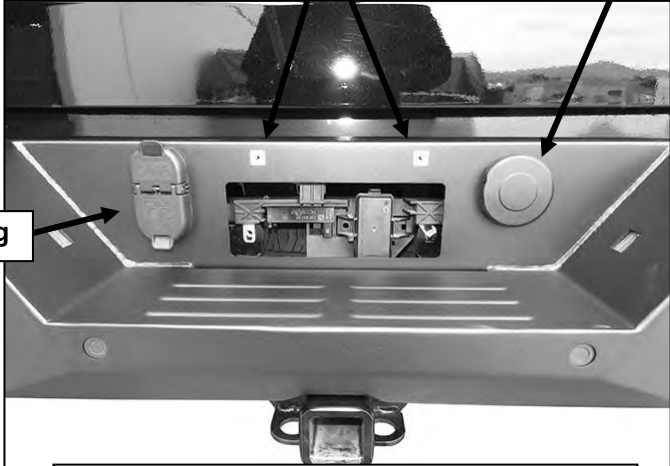
6mm x 20mm
Combo Bolt



(Fig 20) Attach license plate lights to bumper

(2) Plastic Plugs

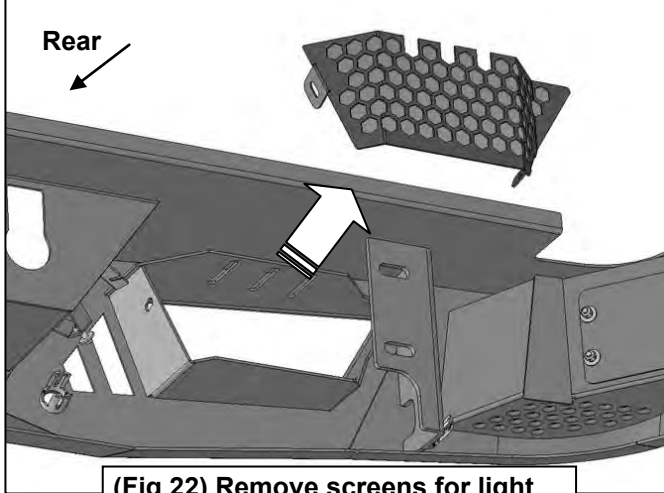
Tire access



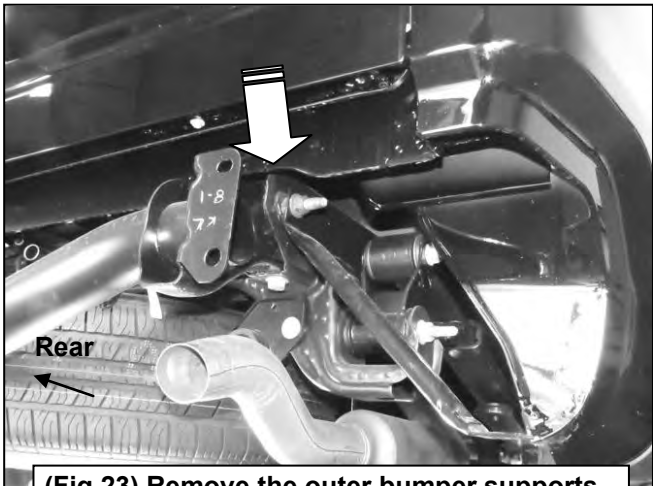
Trailer Plug

(Fig 21) Insert Plastic Plugs for license plate

Rear



(Fig 22) Remove screens for light clearance before installing Bumper



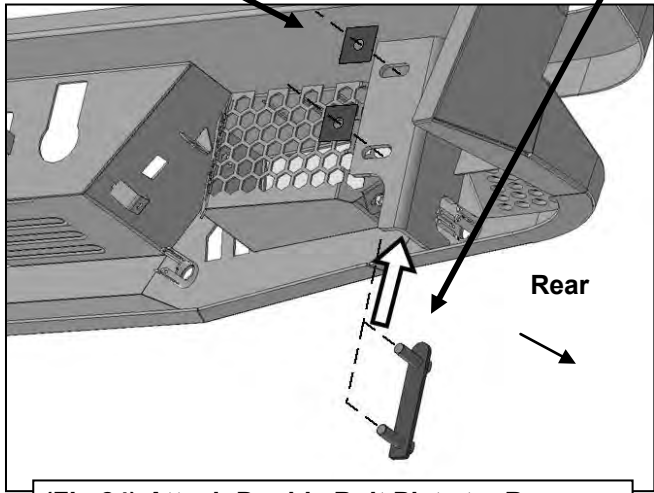
Rear

(Fig 23) Remove the outer bumper supports from both sides of the frame (arrow)

Driver/left side installation pictured

(2) Plastic Retainers

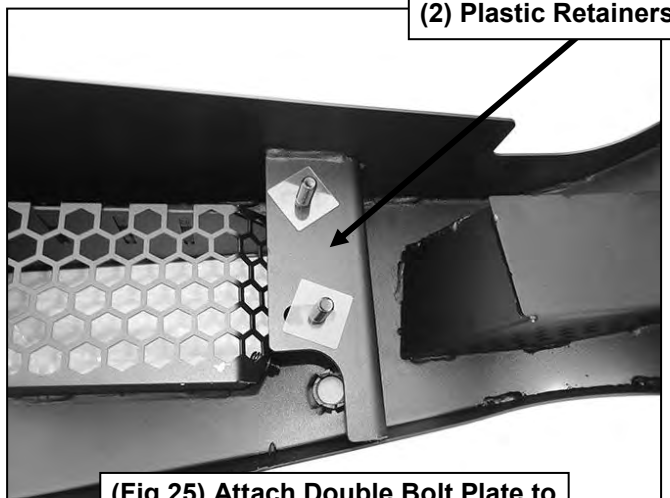
12mm Double Bolt Plate



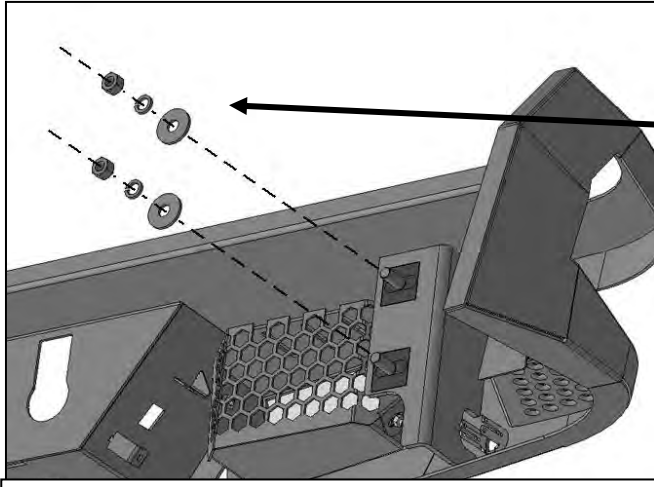
(Fig 24) Attach Double Bolt Plate to Bumper

WARNING! Fully support the weight of the bumper with blocks or stands to prevent injury or damage to the vehicle.

(2) Plastic Retainers



(Fig 25) Attach Double Bolt Plate to Bumper with Plastic Retainers



(Fig 26) Attach driver/left side of Bumper to frame

12mm Double Bolt Plate
(2) Plastic Retainers
(2) 12mm Flat Washers
(2) 12mm Lock Washers
(2) 12mm Hex Nuts



(Fig 27) Driver/left side of Bumper attached to the frame and Double Bolt Plate