



XRC WINCH INSTRUCTION MANUAL

CONTENTS

- Safety Precautions
- Warnings
- Installation
- Operation
- Maintenance
- Specifications
- Parts List
- Warranty



WINCHES:

XRC 9,500LB, XRC 12,000LB,
XRC 15,000LB, XRC 17,500LB



Installation Manual

WWW.SMITTYBILT.COM

GENERAL SAFETY PRECAUTIONS

SAFETY PRECAUTIONS

Warning! Observe safety precautions for personal safety and the safety of others. Improper equipment operation may cause personal injury and equipment damage. Read the following carefully before attempting to operate your winch and keep the instructions for future reference.

1. Dress Properly:

- Don't wear loose clothing or jewellery. They can be caught in moving parts.
- Wear leather gloves when handling winch cable. Do not handle cable with bare hands as broken wires can cause injuries.
- Non-skid footwear is recommended.
- Protective hair covering to contain long hair.

2. Keep a Safe Distance:

- Ensure that all persons stand well clear of winch cable and load during winch operation, 1.5 times the cable length recommended. If a cable pulls loose or breaks under load it can lash back and cause serious personal injury or death.
- Don't step over the cable.
- All visitors and onlookers should be kept away from the work area.
- Keep proper footing and balance at all times.

3. Don't Abuse the Cord:

- Never carry your winch by the cord or yank it to disconnect it from the receptacle.
- Keep cord from heat, oil and sharp edges.

4. Don't Overwork the winch:

- If the motor becomes uncomfortably hot to touch, stop and let it cool for a few minutes.
- Don't maintain power to the winch if the motor stalls.
- Don't exceed maximum line pull ratings shown in tables. Shock loads must not exceed these ratings.

5. Avoid Unintentional Starting:

- Winch clutch should be disengaged when not in use and fully engaged when in use.

6. Check Damaged Parts:

- Before using, you should check your winch carefully. Any part that is damaged should be properly repaired or replaced by an authorized service centre.

7. Repair Your Winch:

- When repairing, use only identical replacement parts or it may cause considerable danger to the user.

8. Re-spool the cable:

- Leather gloves must be worn while re-spooling. To re-spool correctly, it is necessary to keep a slight load on the cable. Hold the cable with one hand and the remote control switch with the other. Start as far back and in the centre as you can. Walk up keeping load on the cable as the winch is powered in.
- Do not allow the cable to stop through your hand and do not approach the winch too closely.
- Turn off the winch and repeat the procedure until all the cable except 1m is left.
- Disconnect the remote control switch and finish spooling in cable by rotating the drum by hand with clutch disengaged.
- On hidden winches, spool in cable under power but keep hands clear.

Warning: The use of any other accessory or attachment other than those recommended in the Fitting Instructions may present a risk of personal injury.

For Technical Support/Warranty Information please call 310-762-9944

Smittybilt, 400 West Artesia Blvd, Compton, CA 90220

Page 1 of 29



Installation Manual

WWW.SMITYBILT.COM

WINCH OPERATION WARNINGS

Read the following carefully before attempting to operate your winch and keep the instructions for future reference.

1. The uneven spooling of cable, while pulling a load, is not a problem, unless there is a cable pile up on one end of the drum. If this happens reverse the winch to relieve the load and move your anchor point further to the centre of the vehicle. After the job is done, you can un-spool and rewind for a neat lay of the cable.
2. Store the remote control switch inside your vehicle where it will not become damaged, inspect before you plug it in.
3. When ready to begin spooling in, plug in remote control switch with clutch disengaged, do not engage clutch with motor running.
4. Never connect the hook back to the cable. This causes cable damage. Always use a sling or chain of suitable strength.
5. Observe your winch while winching, if possible while standing at a safe distance. Stop the winching process every metre or so to assure the cable is not piling up in one corner. Jamming the cable can break your winch.
6. Do not attach tow hooks to winch mounting apparatus. They must be attached to vehicle frame.
7. The use of a snatch block will aid recovery operations by providing a doubling of the winch capacity and a halving of the winching speed, and the means to maintain a direct line pull to the centre of the rollers. When double loading during stationary winching, the winch hook should be attached to the chassis of the vehicle.
8. Ensure rated "D" or bow shackles are used in conjunction with an approved tree trunk protector to provide a safe anchor point.
9. When extending winch cable, ensure that at least FIVE (5) wraps of cable remain on drum at all times. Failure to do this could result in the cable parting from the drum under load. Serious personal injury or property damage may result.
10. All winches are provided with a Red Cable marking to identify that 5 cable wraps remain on the winch drum when this mark appears at the rollers. No recovery should be attempted beyond this marking.
11. Since the greatest pulling power is achieved on the innermost layer of your winch, it is desirable to pull off as much line as you can for heavy pulls (you must leave 5 wraps minimum on the drum-red cable). If this is not practical use a snatch block and double line arrangement.
12. Draping a heavy blanket or similar object over the extended winch cable is recommended as it will dampen any back lash should a failure occur.
13. Neat, tight spooling avoids cable blinding, which is caused when a load is applied and the cable is pinched between the others. If this happens, alternatively power the winch in and out. Do not attempt to work a bound cable under load, free by hand.
14. Apply blocks to wheels when vehicles are on an incline.

For Technical Support/Warranty Information please call 310-762-9944

Smittybilt, 400 West Artesia Blvd, Compton, CA 90220

Page 2 of 29



Installation Manual

WWW.SMITTYBILT.COM

15. Battery:

- Be sure that the battery is in good condition. Avoid contact with battery acid or other contaminants.
- Always wear eye protection when working around a battery.
- Have the engine running when using the winch, to avoid flattening the battery.

16. Winch cable:

- Be sure that the cable is in good condition and is attached properly.
- Do not use the winch if cable is frayed.
- Do not move the vehicle to pull a load.
- Do not replace the cable with a cable of lesser strength.
- The life of cable is directly related to the use and care it receives. Following its first and subsequent uses, a cable must be wound onto the drum under a load of at least 500lbs (230kg) or the outer wraps will draw into the inner wraps and severely damage the cable during winching. The first winch use should be a familiar run while in a relaxed, non-recovery situation. Spool out the cable until the red cable mark appears (about five wraps on the drum), when rewind the cable onto the drum under a load of 500lbs (230kg) or more. This will slightly tension and stretch the new cable and create a tight cable wrap around the drum. Failure to do so may result in cable damage and reduced cable life.
- When replacing the steel wire rope or the fiber rope, be sure to disconnect the winch cable to "+" (positive) of the battery, and disengage the clutch by move the clutch handle to the "OUT" position.

Should you choose fiber rope to take place of the winch steel wire rope,

- **Please make sure this fiber rope preferred can with stands the maximum capacity of your winch. Always bear in mind the working load limitation of this fiber rope, and never exceed the working load limitation or shock load of your rope.**
- **Fiber rope should be attached to winch drum properly, always remain enough wraps on the winch drum when extending rope. Failure to do this could result in rope parting from the drum. Serious personal injury or property damage may result.**
- **Please make sure the fiber rope in good condition, without cuts or pulled strands. Fiber rope will fail in case worn, damaged, overloaded, or not properly maintained.**
- **Do not stand within the lash-back area.**
- **Do not use over rough surfaces without chafe protection.**
- **Do not bend around unprotected, sharp corners.**

17. Do not attempt to exceed the pulling limits of this winch.

18. Do not drive your vehicle to assist the winch in any way. Vehicle movement in combination with winch operation may overload the cable, the winch itself or cause damaging shock loads.

19. Shock loads when winching are dangerous! A shock load occurs when an increased force is suddenly applied to the cable. A vehicle rolling back on a slack cable may induce a damaging shock load.

20. The winches shown in this manual are solely for vehicle and boat mount, non-industrial applications.

21. Do not use winch in hoisting applications due to required hoist safety factors and features.

22. Do not use the winch to lift, support or otherwise transport personnel.

23. Never operation your electric winch in gas (petrol) station, or any place has explosive gas.

24. Power out only enough to relive slack, excessive powering out can cause damage to internal parts.

25. Do not use to hold loads...yes, see page 4 top side.

26. Do not use to drop loads (example-unloading vehicles).

For Technical Support/Warranty Information please call 310-762-9944

Smittybilt, 400 West Artesia Blvd, Compton, CA 90220









Page 3 of 29



Installation Manual

WWW.SMITTYBILT.COM

27. Only DC power can be applied to the winch stated in this Fitting Instructions.

	Read the instructions before use.		Always keep hands clear of wire rope, hook loop.
	Always use supplied hook strap whenever spooling wire rope in or out.		Never use to lift.
	Never use to move persons.		Don't make wire rope out on the drum.
	Strong Magnet do not place near precision type of instruments(example watch,phone)		
Wire rope can not be used if damaged. Please replace a new one.			
			

INSTALLATION

MOUNTING YOUR WINCH

1. a) The winch is to be mounted into a suitable steel mounting frame using the 4 point foot mounting system in either a horizontal or vertical plane.
- b) It is very important that the winch be mounted on a flat surface so that the three sections (motor, cable drum and gear housing) are properly aligned.
- c) Before commencing installation, ensure the mounting facility being used is capable of with standing the rated capacity of the winch.
- d) The fitment of winches and / or a frontal protection system may affect the triggering of SRS air bags. Check that the mounting system has been tested and approved for winch fitment in the air bag equipped vehicle.
2. Should you wish to manufacture your own mounting plate the dimensions below will assist. A steel mount plate of at least 6mm thickness is recommended. Fasteners should be steel high tensile grade 8.8 or better. A poorly designed mount may void warranty.
3. When installing the winch the tightening torque of 4pcs mounting bolt M10*32 (8.8 grade) should not be less than 60Nm and have loose prevention measures. And the thickness of steel mounting plate should be 4-6mm.
4. The roller fairlead is to be mounted so as to guide the rope onto the drum evenly.
5. Winch dimensions and mounting patterns are provided together with the winch specification.

LUBRICATION INSTALLATION

All moving parts in the winch are permanently lubricated with high temperature lithium grease at the time of assembly. Under normal conditions factory lubrication will suffice. Lubricate cable periodically using light penetrating oil. Inspect for broken strands and replace if necessary. If the cable becomes worn or damaged, it must be replaced.



Installation Manual

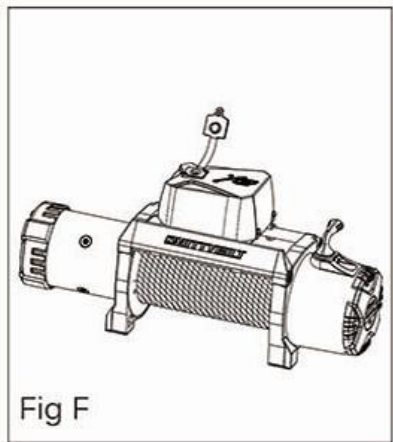
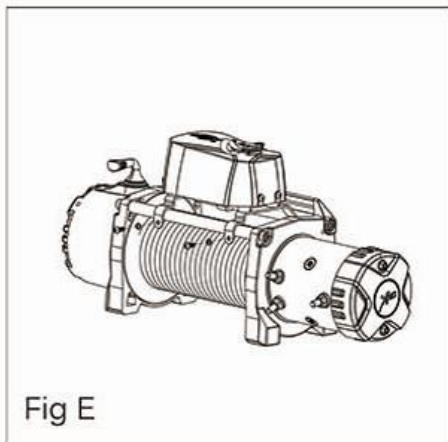
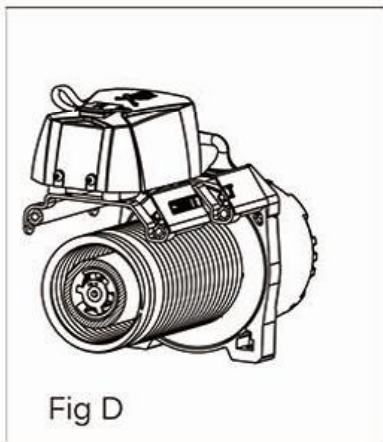
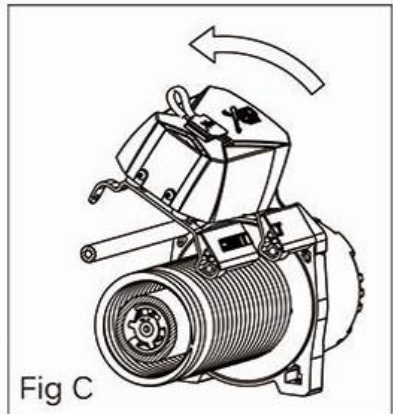
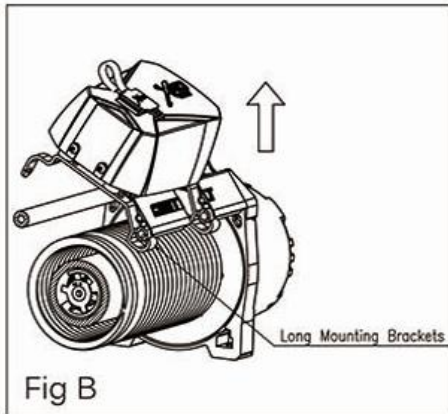
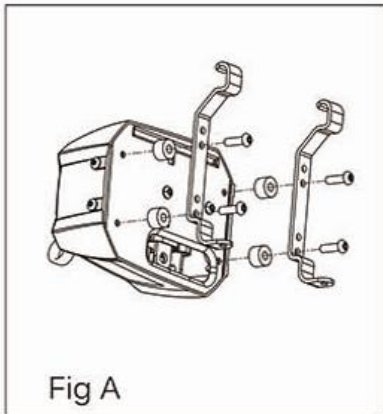
WWW.SMITTYBILT.COM

97495/97412/97415/97417 SOLENOID MOUNTING SUPPLEMENT

Tie Rod Over Cable Mounting Instruction – Horizontal

Step 1: Install the long mounting brackets with spacers (hook facing forward) on the solenoid box and tighten the bolt. (Fig A)

Step 2: Place solenoid on top of tie-rods with hooks facing forward in desired location. Secure by tightening the screws in the rear. (Fig B,C,D,E,F) Installation is now complete. Use the wiring diagram in instruction manual for further assembly.





Installation Manual

WWW.SMITYBILT.COM

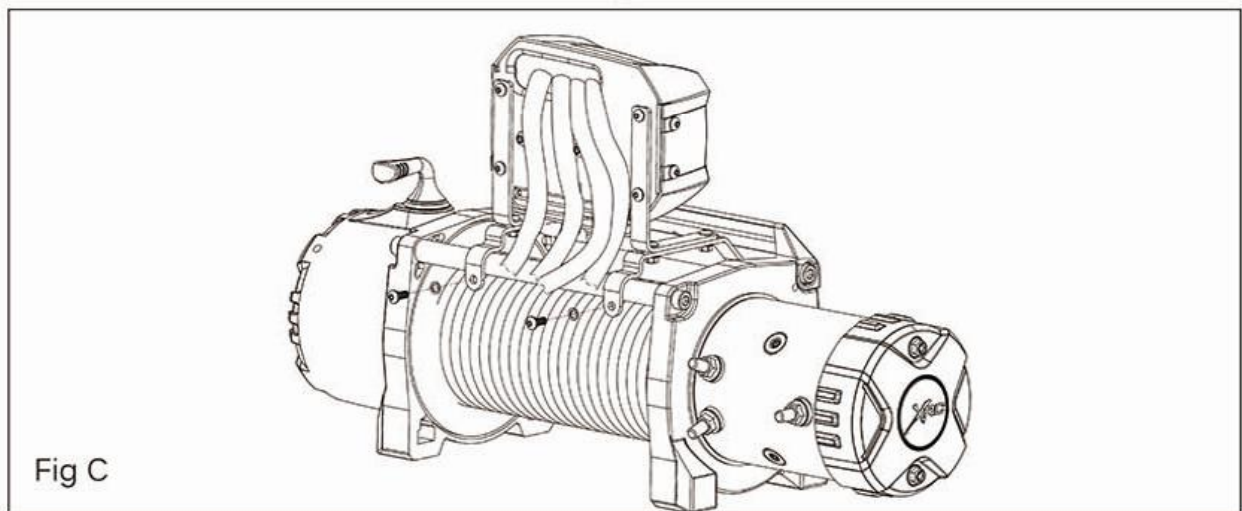
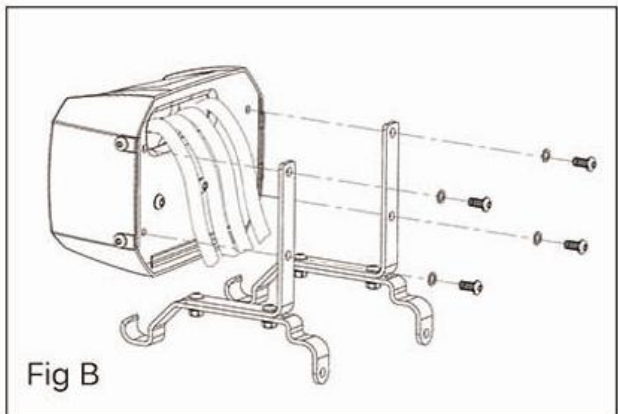
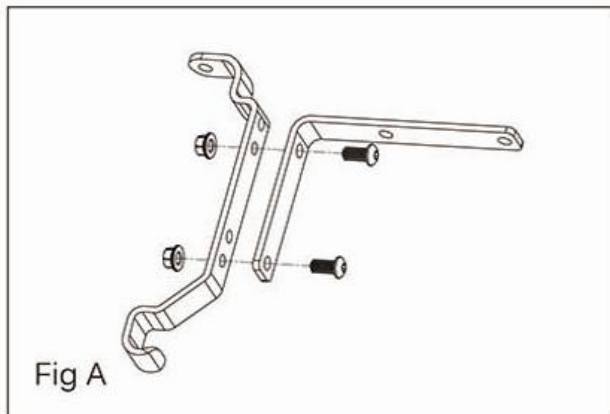
97495/97412/97415/97417 SOLENOID MOUNTING SUPPLEMENT

Tie Rod Over Cable Mounting Instruction - Vertical

Step 1: Connect the long mounting bracket and L mounting bracket by bolt (Fig A) .

Step 2: Install the whole mounting bracket (hook facing forward) on the solenoid box and tighten the bolt (Fig B) .

Step 3: Place solenoid on top of tie-rods with hooks facing forward in desired location. Secure by tightening the screws in the rear. (Fig C) Installation is now complete. Use the wiring diagram in instruction manual for further assembly.





Installation Manual

WWW.SMITYBILT.COM

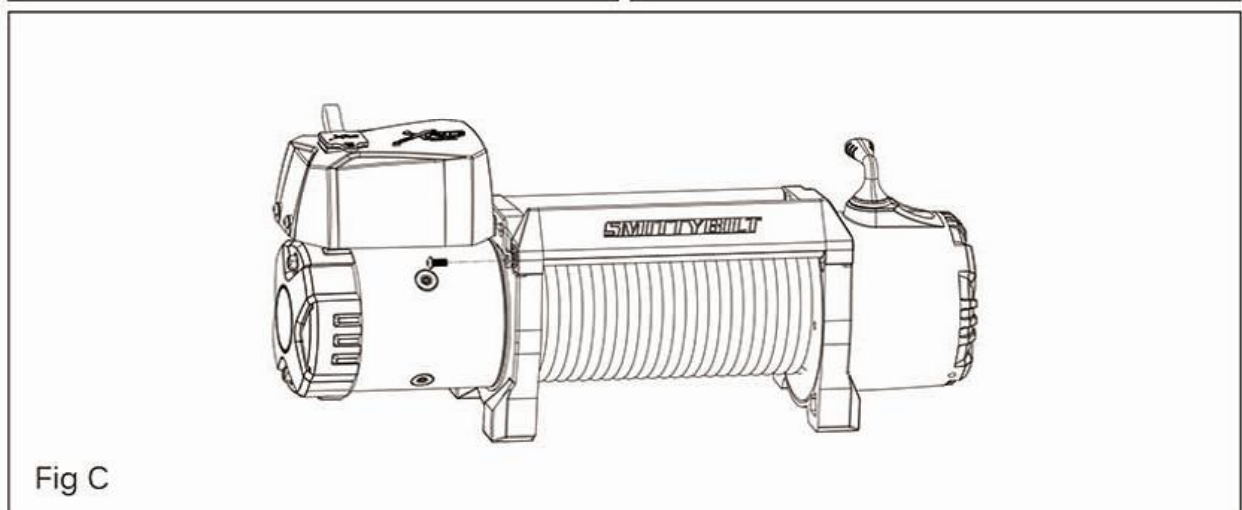
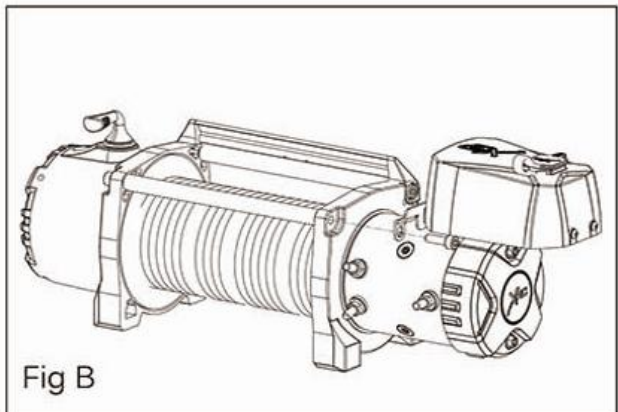
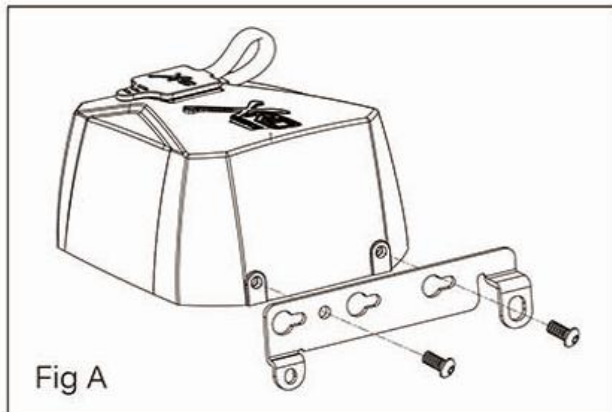
97495/97412/97415/97417 SOLENOID MOUNTING SUPPLEMENT

Over Motor Mounting Instruction

Step 1: Loosen the bolt on the side of solenoid box and place the small mounting bracket at the side of solenoid box , tighten the bolt.(Fig A)

Step 2: Loosen the tie rod bolt at the motor side, and place the control box in the desired location, and then tighten the bolt. (Fig B)

Step 3: Tighten the logo bar bolt at the motor side. Installation is complete. Use the wire diagram in the instruction manual for further assembly. (Fig C)





Installation Manual

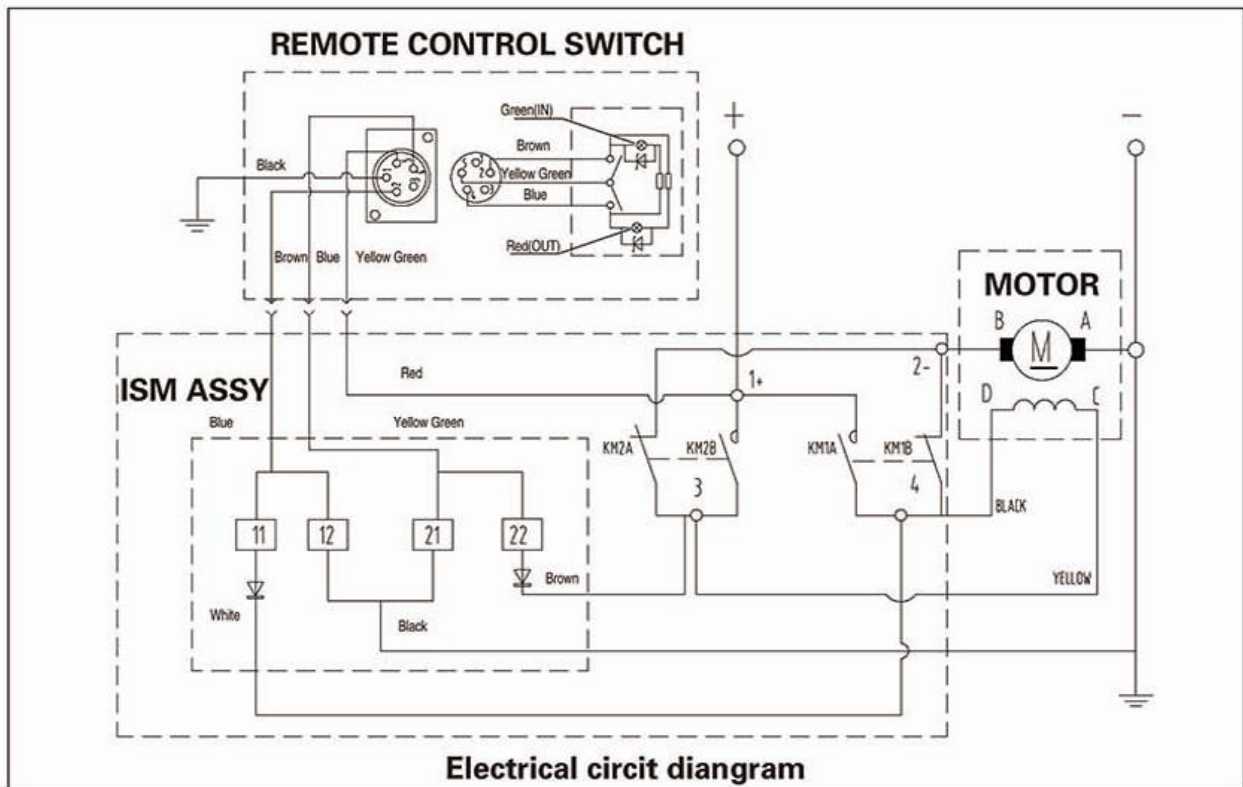
WWW.SMITTYBILT.COM

ELECTRICAL CONNECTION

For normal self-recovery work, your existing electrical system is adequate. A fully charged battery and proper connections are essential. Run the vehicle engine during winching operations to keep battery charged.

Pay close attention to proper electrical cable connection as follows (refer to Diagram 1)

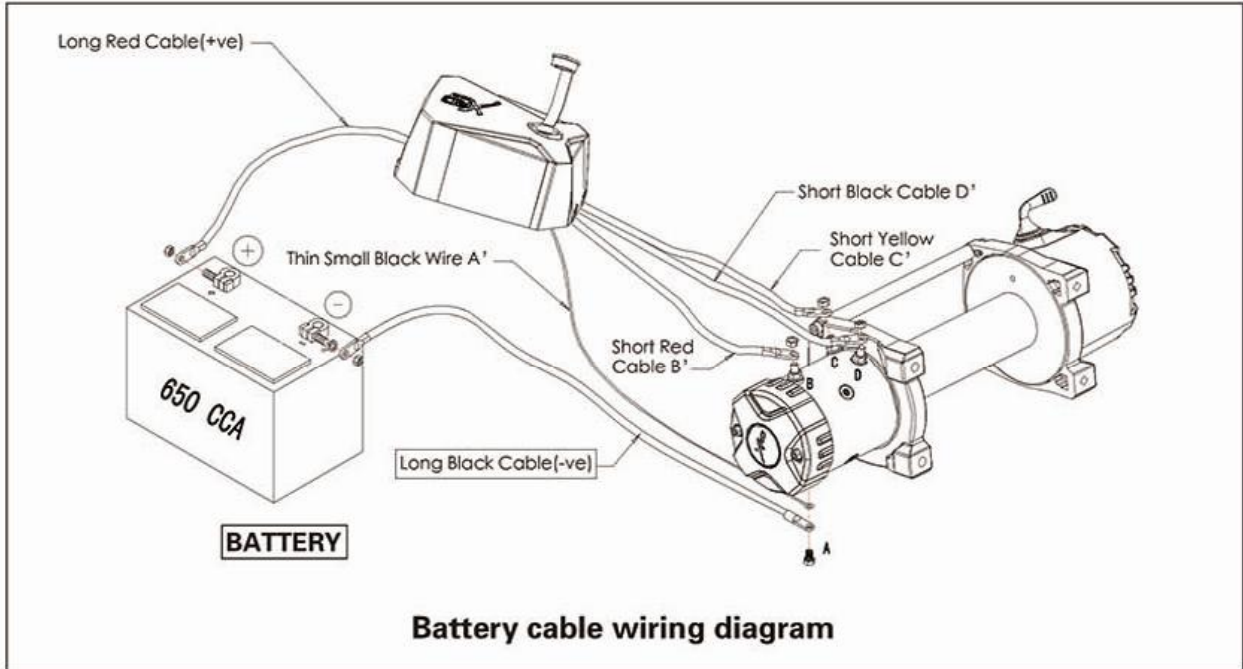
1. Short Red cable (B') connecting to the red terminal (B) of the motor.
2. Short black cable with yellow jacket (C') connecting to the yellow terminal (C) of the motor.
3. Short black cable with black jacket (D') connecting to the black terminal (D) of the motor
4. Thin black cable (E) connecting to bottom terminal (A) of the motor.
5. Long Black Cable (1.8m), one terminal (A') connecting to the bottom terminal (A) of the motor, and the other terminal negative (-) connecting to negative (-) terminal of battery.
6. Long red cable positive (+) connecting to positive (+) terminal of battery.





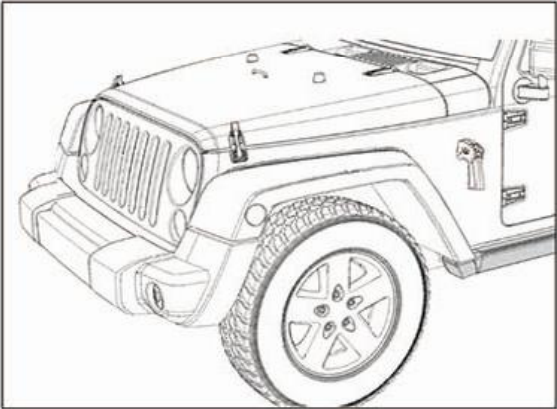
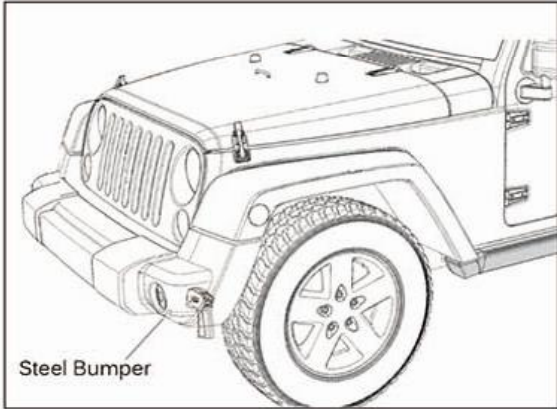
Installation Manual

WWW.SMITTYBILT.COM



NOTE:

- 1. Your battery must be kept in good condition.
- 2. Be sure battery cables are not drawn taut across any surfaces, which could possibly damage them.
- 3. Corrosion on electrical connections will reduce performance or may cause a short.
- 4. Clean all connections especially in remote control switch and receptacle.
- 5. In salty environments use a silicone sealer to protect from corrosion.
- 6. Index the heads of the plate studs into the keyhole slots on the back of the winch.



Remote has handy magnet to attach to vehicle or bumper when needed



Installation Manual

WWW.SMITYBILT.COM

WINCH OPERATION

SUGGESTION:

The best way to get acquainted with how your winch operates is to make a few test runs before you actually need to use it. Plan your test in advance. Remember you can hear your winch as well as you can see it operate. Get to recognize the sound of a light steady pull, a heavy pull, and sounds caused by load jerking or shifting. Soon you will gain confidence in operating your winch and its use will become second nature to you.

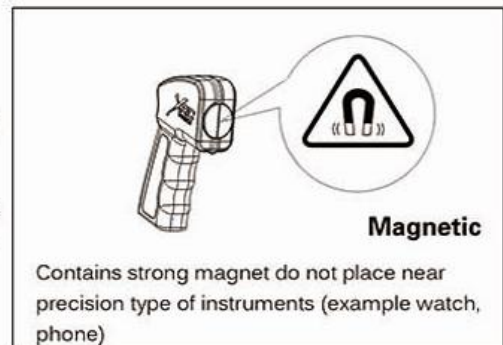
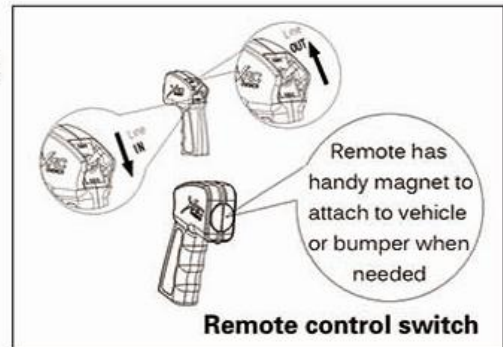
OPERATING:

1. Ensure the vehicle is secured by applying the parking brake or chocking the wheels.
2. Pull out the winch cable the desired length and connect to an anchor point. The winch clutch allows rapid uncoiling of the cable for hooking onto the load or anchor point. The shifter tab located on the gear housing of the winch operates the clutch as follows:
 - (A) To disengage the clutch, move the clutch shifter tab to the "OUT" position. Cable may be free spooled off the drum.
 - (B) To engage the clutch, move the clutch shifter tab into the "IN" position. The winch is now ready for pulling.
3. Recheck all cable rigging before proceeding.
4. Plug in the winch hand control. It is recommended that the winching operation takes place from the driver's position to ensure safe operation.
5. To commence winching operation, start vehicle engine, select neutral in transmission, maintain engine speed at idle.
6. Operate the remote control switch to IN or OUT until the vehicle has been retrieved. Regularly check the winch to ensure cable is winding onto the drum evenly.

Note:

1. Never winch with your vehicle in gear or in park, which would damage your vehicle's transmission.
2. Never wrap the cable around the object and hook onto the cable when winching.
3. Keep hands, clothing, hair and jewellery clear of the drum area and cable when winching.
4. Never use the winch if the cable is frayed, kinked or damaged.
5. Never allow anyone to stand near the cable, or in line with the cable behind the winch while it is under power. If the cable should slip or brake, it can suddenly whip back towards the winch, causing a hazard for anyone in the area. Always stand well to the side while winding.
6. Don't leave the switch plugged in when winch is not in use.
7. Do not use as a hoist
8. Power out only to relieve slack on cable or rope. Excessive powering out can cause damage to internal components.
9. Do not use to hold loads.
10. Do not use to drop loads (example-unloading vehicles).

CHECK THE WINCH CAREFULLY AND THOROUGHLY BEFORE OPERATING!



For Technical Support/Warranty Information please call 310-762-9944

Smittybilt, 400 West Artesia Blvd, Compton, CA 90220



Installation Manual

WWW.SMITYBILT.COM

MAINTENANCE

It is highly recommended that the winch be used regularly (once a month). Simply power the cable out 15m, free spool 5m and then power back in. This will keep all components in good working condition so that the winch can be relied on when needed. Contact your authorized outlet for technical assistance and repairs.

SPARE PARTS:

A comprehensive range of spare parts is available. For further information please contact the distributors from whom you get your winch.

NOTE:

The safety precautions and instructions discussed in this manual can't cover all possible conditions and situations that may occur. It must be understood by the operator that common sense and caution are factors, which cannot be built into this product, but must be applied by the operator.



Installation Manual

WWW.SMITTYBILT.COM

Part Number: 97495 XRC 9,500 LBS WINCH

Rated Line Pull:	9,500Lbs (4,305kgs) single-line
Motor:	6.6hp Series Wound
Control:	Remote Switch, 12' (3.7m) lead
Gear Train:	3-Stage Planetary
Gear Ratio:	161.28:1
Clutch:	Sliding Ring Gear
Brake:	Automatic In The Drum
Drum Size:	Diameter 2.5"(63.5mm)
Waterproof:	IP67 Rating
Fairlead:	4-Way Roller
Remote Control:	Included
Cable:	94' 5/16" Diameter
Battery Leads:	72"(1.83m)
Finish:	Textured Black
Weight:	77Lbs (35Kgs)
Overall Dimension:	(L x W x H) 20.80" x 6.3" x 7.8"
Mounting Bolt Pattern:	10.0" x 4.50"
Recommended:	650CCA Minimum for Winching

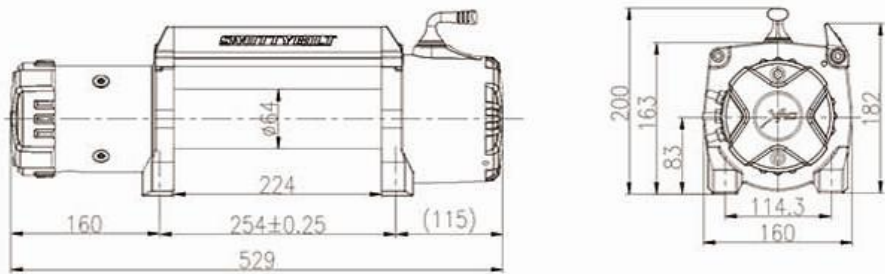
9500LBS Line Pull & Capacity

Layers Of Cable		1	2	3	4
Rated Line pull per layer	lbs	9500	8435	7640	7086
	kg	4305	3822	3460	3212
Cumulative cable capacity	ft	16	42	72	94
	m	5	12	21	28

9500LBS Line Speed & Amp Draw-First Layer

Line Pull	lbs	No Load	2000	4000	6000	8000	9500
	kg	No Load	907	1814	2721	3625	4305
Line Speed	ft/min	32.34	19.68	14.76	10.82	9.35	6.23
	m/min	9.86	6	4.5	3.3	2.85	1.9
Motor	Amps	80	165	240	320	380	435

DIMENSION OF THE WINCH



For Technical Support/Warranty Information please call 310-762-9944

Smittybilt, 400 West Artesia Blvd, Compton, CA 90220



Installation Manual

WWW.SMITTYBILT.COM

Part Number: 97412 XRC 12,000 LBS WINCH

Rated Line Pull:	12,000Lbs (5,440kgs) single-line
Motor:	6.6hp Series Wound
Control:	Remote Switch, 12' (3.7m) lead
Gear Train:	3-Stage Planetary
Gear Ratio:	193.2:1
Clutch:	Sliding Ring Gear
Brake:	Automatic In The Drum
Drum Size:	Diameter 2.5"(63.5mm)
Waterproof:	IP67 Rating
Fairlead:	4-Way Roller
Remote Control:	Included
Cable:	94' 3/8" Diameter
Battery Leads:	72"(1.83m)
Finish:	Textured Black
Weight:	85Lbs (39Kgs)
Overall Dimension:	(L x W x H) 21.2" x 6.3" x 7.8"
Mounting Bolt Pattern:	10.0" x 4.50"
Recommended:	650CCA Minimum for Winching

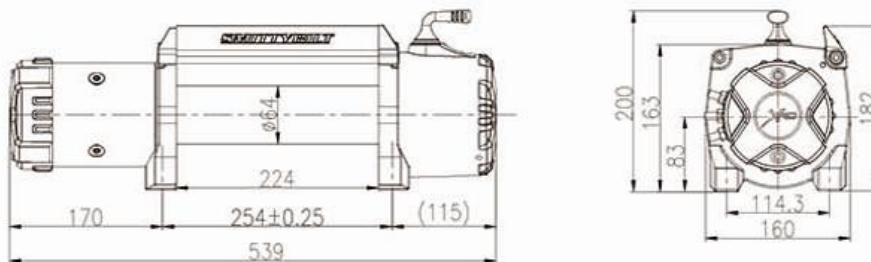
12000LBS Line Pull & Capacity

Layers Of Cable		1	2	3	4
Rated Line pull per layer	lbs	12000	10270	9200	8500
	kg	5440	4654	4169	3852
Cumulative cable capacity	ft	16	42	72	94
	m	5	12	21	28

12000LBS Line Speed & Amp Draw-First Layer

Line Pull	lbs	No Load	3000	6000	9000	12000
	kg	No Load	1360	2720	4080	5440
Line Speed	ft/min	28.208	11.152	7.872	6.232	5.248
	m/min	8.6	3.4	2.4	1.9	1.6
Motor	Amps	75	163	244	315	400

DIMENSION OF THE WINCH



For Technical Support/Warranty Information please call 310-762-9944

Smittybilt, 400 West Artesia Blvd, Compton, CA 90220



Installation Manual

WWW.SMITTYBILT.COM

Part Number: 97415 XRC 15,500 LBS WINCH

Rated Line Pull:	15,500Lbs (7,025kgs) single-line
Motor:	6.6hp Series Wound
Control:	Remote Switch, 12' (3.7m) lead
Gear Train:	4-Stage Planetary
Gear Ratio:	330:1
Clutch:	Sliding Ring Gear
Brake:	Automatic In The Drum
Drum Size:	Diameter 3.70"(94mm)
Waterproof:	IP67 Rating
Fairlead:	4-Way Roller
Remote Control:	Included
Cable:	94' 25/64" Diameter
Battery Leads:	72"(1.83m)
Finish:	Textured Black
Weight:	132Lbs (60Kgs)
Overall Dimension:	(L x W x H) 24.1" x 8.4" x8.86"
Mounting Bolt Pattern:	10.0" x 4.50" AND10.0" x 6.50"
Recommended:	650CCA Minimum for Winching

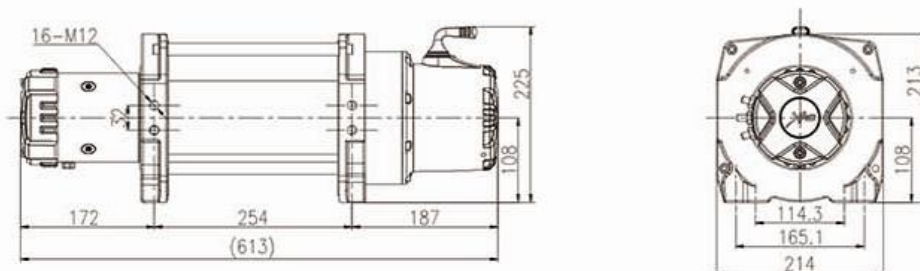
15500LBS Line Pull & Capacity

Layers Of Cable		1	2	3	4
Rated Line pull per layer	lbs	15500	12968	10992	9630
	kg	7024	5877	4982	4364
Cumulative cable capacity	ft	20.4	46	75	92
	m	6.2	14	23	28

15500LBS Line Speed & Amp Draw-First Layer

Line Pull	lbs	0	3000	6000	9000	12000	15500
	kg	0	1360	2722	4080	5440	5440
Line Speed	ft/min	24.11	11.15	8.7	7.544	5.7	4.3
	m/min	7.35	3.4	2.65	2.3	1.74	1.4
Motor	Amps	70	165	240	310	375	445

DIMENSION OF THE WINCH



For Technical Support/Warranty Information please call 310-762-9944

Smittybilt, 400 West Artesia Blvd, Compton, CA 90220



Installation Manual

WWW.SMITTYBILT.COM

Part Number: 97417 XRC 17,500 LBS WINCH

Rated Line Pull:	17,500Lbs (7,931kgs) single-line
Motor:	6.6hp Series Wound
Control:	Remote Switch, 12' (3.7m) lead
Gear Train:	4-Stage Planetary
Gear Ratio:	330:1
Clutch:	Sliding Ring Gear
Brake:	Automatic In The Drum
Drum Size:	Diameter 3.78"(94mm)
Waterproof:	IP67 Rating
Fairlead:	4-Way Roller
Remote Control:	Included
Cable:	94' 7/16" Diameter
Battery Leads:	72"(1.83m)
Finish:	Textured Black
Weight:	141Lbs (64Kgs)
Overall Dimension:	(L x W x H) 24.8" x 8.4" x 8.86"
Mounting Bolt Pattern:	10.0" x 4.50" AND 10.0" x 6.50"
Recommended:	650CCA Minimum for Winching

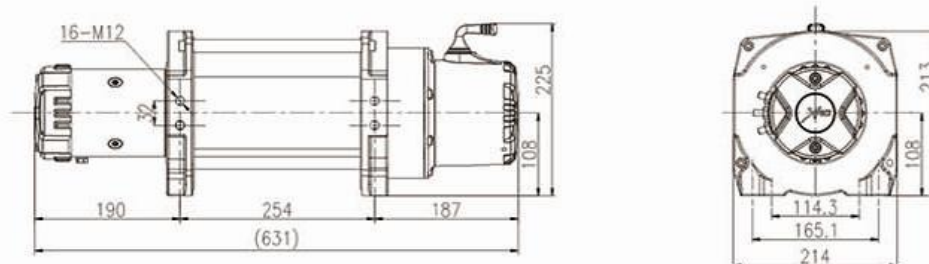
17500LBS Line Pull & Capacity

Layers Of Cable		1	2	3	4
Rated Line pull per layer	lbs	17500	14583	12411	10822
	kg	7931	6609	5625	4905
Cumulative cable capacity	ft	19.68	45.92	75.44	93.48
	m	6	14	23	28.5

17500LBS Line Speed & Amp Draw-First Layer

Line Pull	lbs	0	3000	6000	9000	12000	15500	17500
	kg	0	1360	2720	4080	5440	6800	7931
Line Speed	ft/min	22.632	10.824	7.872	6.232	5.248	3.936	3.2472
	m/min	6.9	3.3	2.4	1.9	1.6	1.2	0.99
Motor	Amps	75	140	210	270	330	390	435

DIMENSION OF THE WINCH



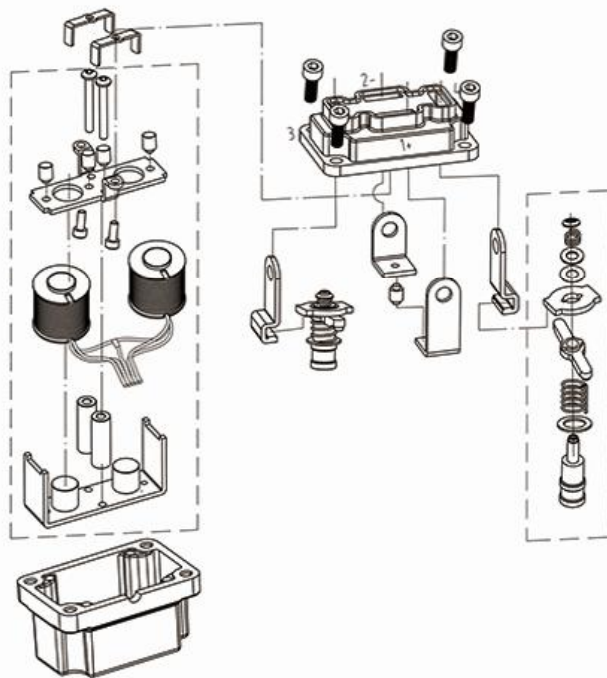
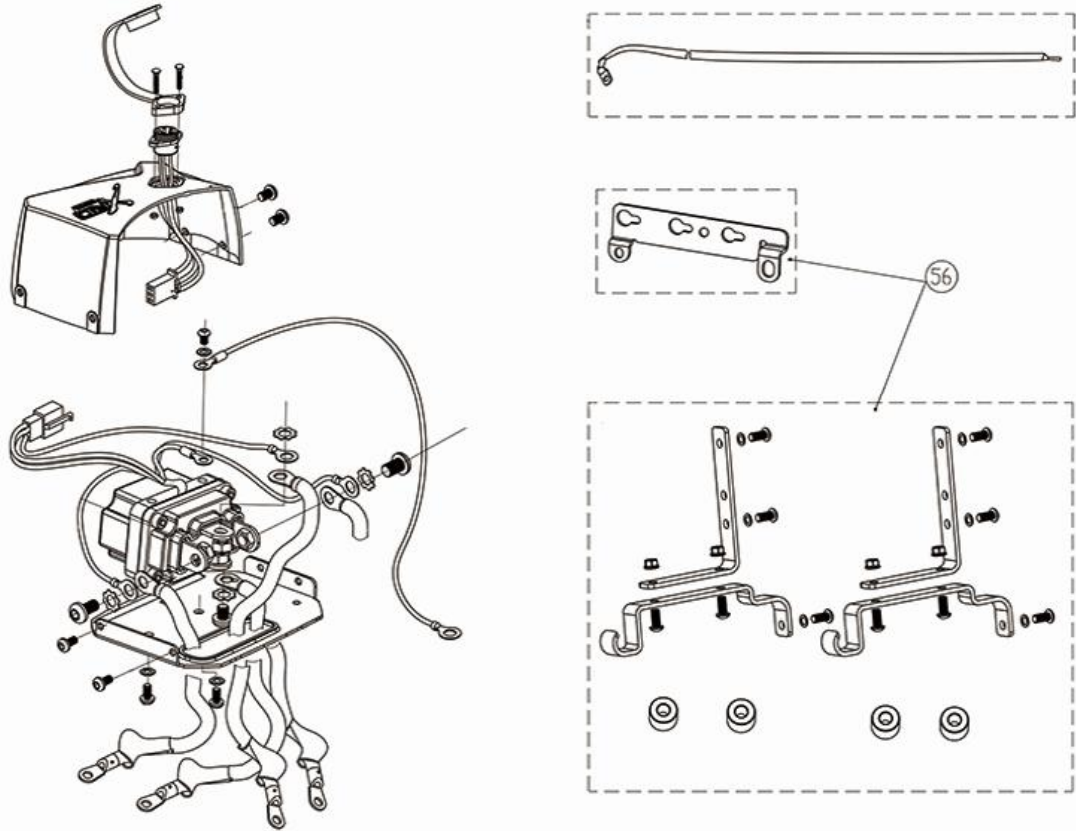
For Technical Support/Warranty Information please call 310-762-9944

Smittybilt, 400 West Artesia Blvd, Compton, CA 90220



Installation Manual

WWW.SMITTYBILT.COM



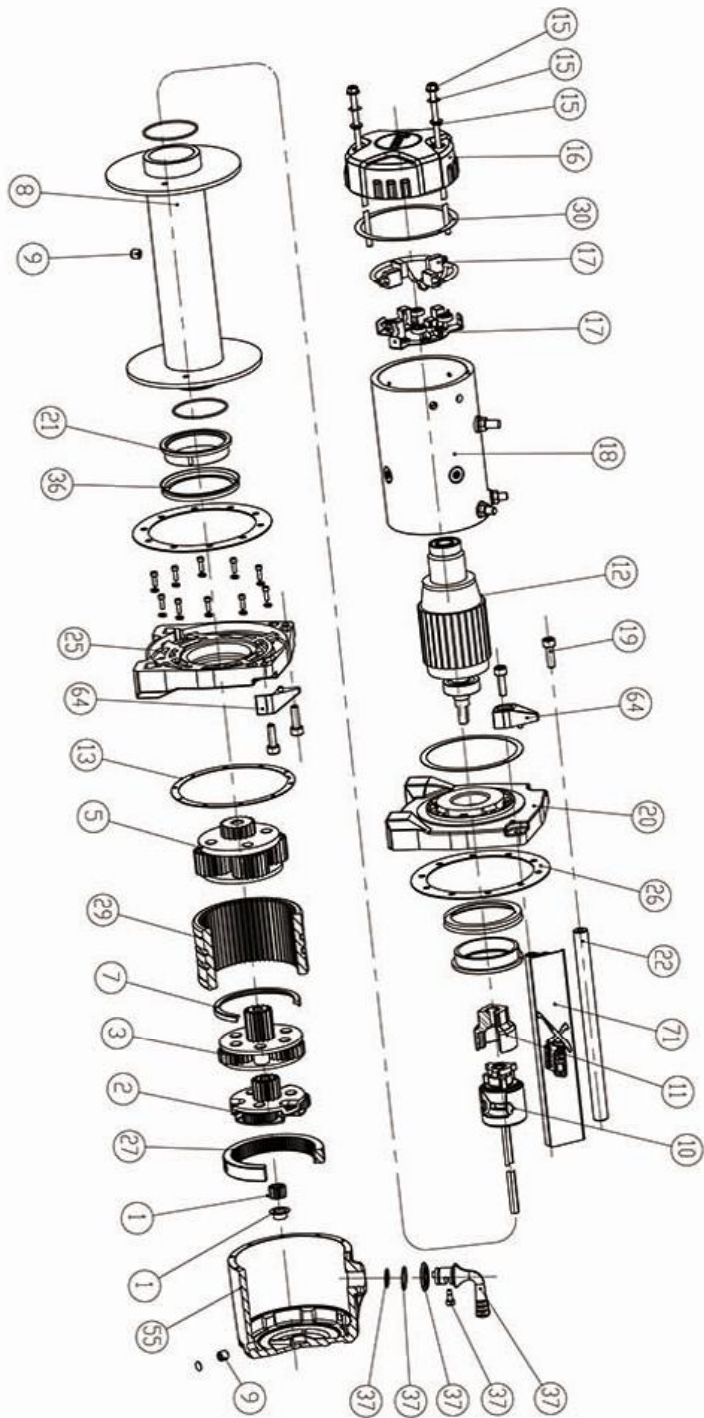
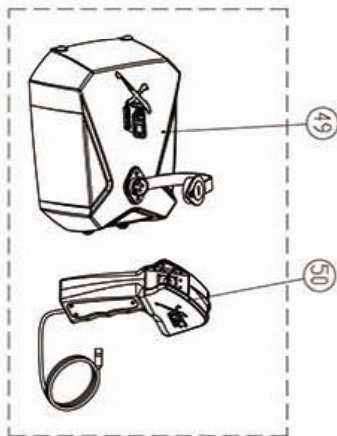
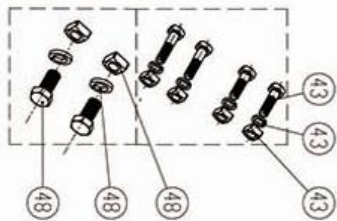
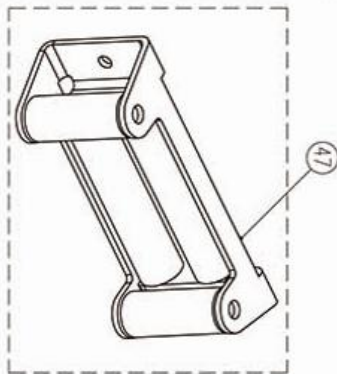
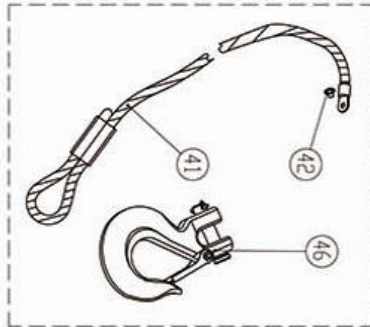


Installation Manual

WWW.SMITTYBILT.COM

97495/97412

XRC9500LB/12000LB WINCH





Installation Manual

WWW.SMITTYBILT.COM

97495/97412 XRC9500LB/12000LB WINCH

Item No.	Part No.		Description
	XRC2 9.5K lbs	XRC2 12k lbs	
01	97495-01	97495-01	Sun gear assembly
02	97495-02	97412-02	Gear Carrier Assy-input
03	97495-03	97412-03	Gear Carrier Assy-Intermediate
05	97495-05	97412-05	Gear Carrier Assy-Output
07	97495-07	97495-07	Gear Carrier Anti Friction Cushion
08	97495-08	97495-08	Drum Assy
09	97495-09	97495-09	brake positioning bolt
10	97495-10	97495-10	Brake Assy
11	97495-11	97495-11	Coupling Joint
12	97495-12	97412-12	Rotor
13	97495-13	97495-13	X Gear Box Seal Ring
15	97495-15	97412-15	Long bolt hardware set
	97495-15	97495-15	Long bolt hardware set
16	97495-16	97495-16	Motor cover
17	97495-17	97495-17	Carbon assy
18	97495-18	97412-18	Stator
19	97495-19	97495-19	Long Screw M8*25
20	97495-20	97495-20	Motor Base
21	97495-21	97495-21	Nylong Bearing
22	97495-22	97495-22	Tie Bar
25	97495-25	97495-25	Gear Box Base
26	97495-26	97495-26	Drum Anti Friction Sheet
27	97495-27	97495-27	Inner Gear
29	97495-29	97495-29	Clutch Gear
30	97495-30	97495-30	Motor Seal Ring
36	97495-36	97495-36	Dust Ring
37	97495-37	97495-37	Clutch handle assy
41	97495-41	97412-41	Wire rope with fix bolt
42	97495-42	97495-42	Wire rope fix bolt
43	97495-43	97495-43	Winch mounting hardware
46	97495-46	97495-46	Clevis hook
47	97495-47	97495-47	Roller Fairlead
48	97495-48	97495-48	Fairlead Mounting hardware
49	97495-49	97495-49	Control box assy
50	97495-50	97495-50	Remote contorl
52	97495-52	97495-52	ISM
53	97495-53	97495-53	Control box cover
55	97495-55	97495-55	Gear box Assy
56	97495-56	97495-56	Control box mounting hardware
57	97495-57	97412-57	Motor Assy
58	97495-58	97495-58	Socket cover

For Technical Support/Warranty Information please call 310-762-9944

Smittybilt, 400 West Artesia Blvd, Compton, CA 90220



Installation Manual

WWW.SMITYBILT.COM

59	97495-59	97495-59	Socket Connector assy
64	97495-64	97495-64	XRC logo tie bar bolt
68	97495-68	97412-68	Decal set
71	97495-71	97495-71	XRC logo tie bar

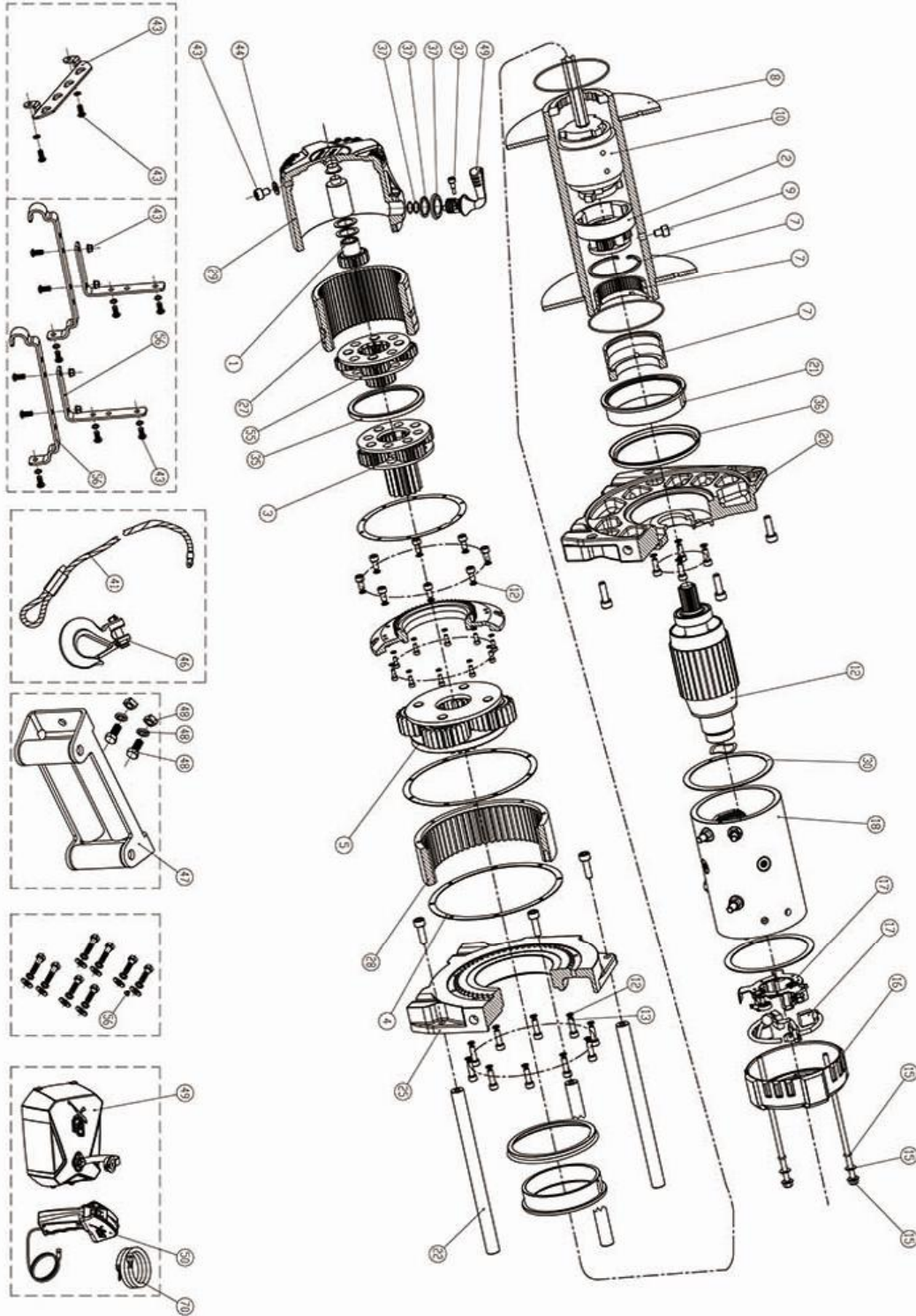


Installation Manual

WWW.SMITTYBILT.COM

97415/97417

XRC15500LB/17500LB WINCH





Installation Manual

WWW.SMITTYBILT.COM

97415/97417 XRC15500LB/17500LB WINCH

Item No.	Part No.		Description
	XRC2 15K lbs	XRC2 17.5k lbs	
01	97415-01	97417-01	XRC15 15tooth Sun Gear II
02	97415-02	97415-02	XRC 15 Gear Carrier Assy-input
03	97415-03	97415-03	XRC15 Gear Carrier Assy -Intermediate II
04	97415-04	97415-04	Big Leak-Proof Washer
05	97415-05	97415-05	Gear Carrier Assy - Output
07	97415-07	97415-07	Inner gear assy
08	97415-08	97415-08	XRC 15 Drum Assy
09	97415-09	97415-09	Brake positioning bolt
11	97415-11	97415-11	XRC 15 Big Brake Assy
12	97415-12	97417-12	12V XRC 15000 Rotor
15	97415-15	97415-15	Long bolt hardware set
	97415-15	97417-15	Long bolt hardware set
16	97415-16	97415-16	Motor cover
17	97415-17	97415-17	Carbon assy
18	97415-18	97415-18	Stator assy
20	97415-20	97415-20	XRC big Motor Base
21	97415-21	97415-21	Anti-Water Nylon Bearing
22	97415-22	97415-22	15000 Tie Bar
25	97415-25	97415-25	Big Gear Box Base
27	97415-27	97415-27	HEW Inner Gear II
28	97415-28	97415-28	58tooth Inner Gear
29	97415-29	97415-29	XRC17500 X- Gear Box Tube
30	97415-30	97415-30	Motor Seal Ring
35	97415-35	97415-35	Gear Carrier Anti Friction Cushion
37	97415-37	97415-37	HEW Anti-Dust Ring
36	97415-36	97415-36	Clutch handle assy
41	97415-41	97417-41	Wire rope with fix bolt
43	97415-43	97415-43	Winch mounting hardware
46	97415-46	97415-46	7/16" Clevis Hook
47	97415-47	97415-47	Roller Fairlead
48	97415-48	97415-48	Fairlead Mounting hardware
49	97415-49	97415-49	Control box assy
50	97415-50	97415-50	XRC 3 Handheld remote Control
55	97415-55	97417-55	Complete Gear Assy
56	97415-56	97415-56	Mounting hardware
57	97415-57	97415-57	Complete Motor Assy
68	97415-68	97417-68	Decal Set
70	97415-70	97415-70	1.83m Long Black Cable



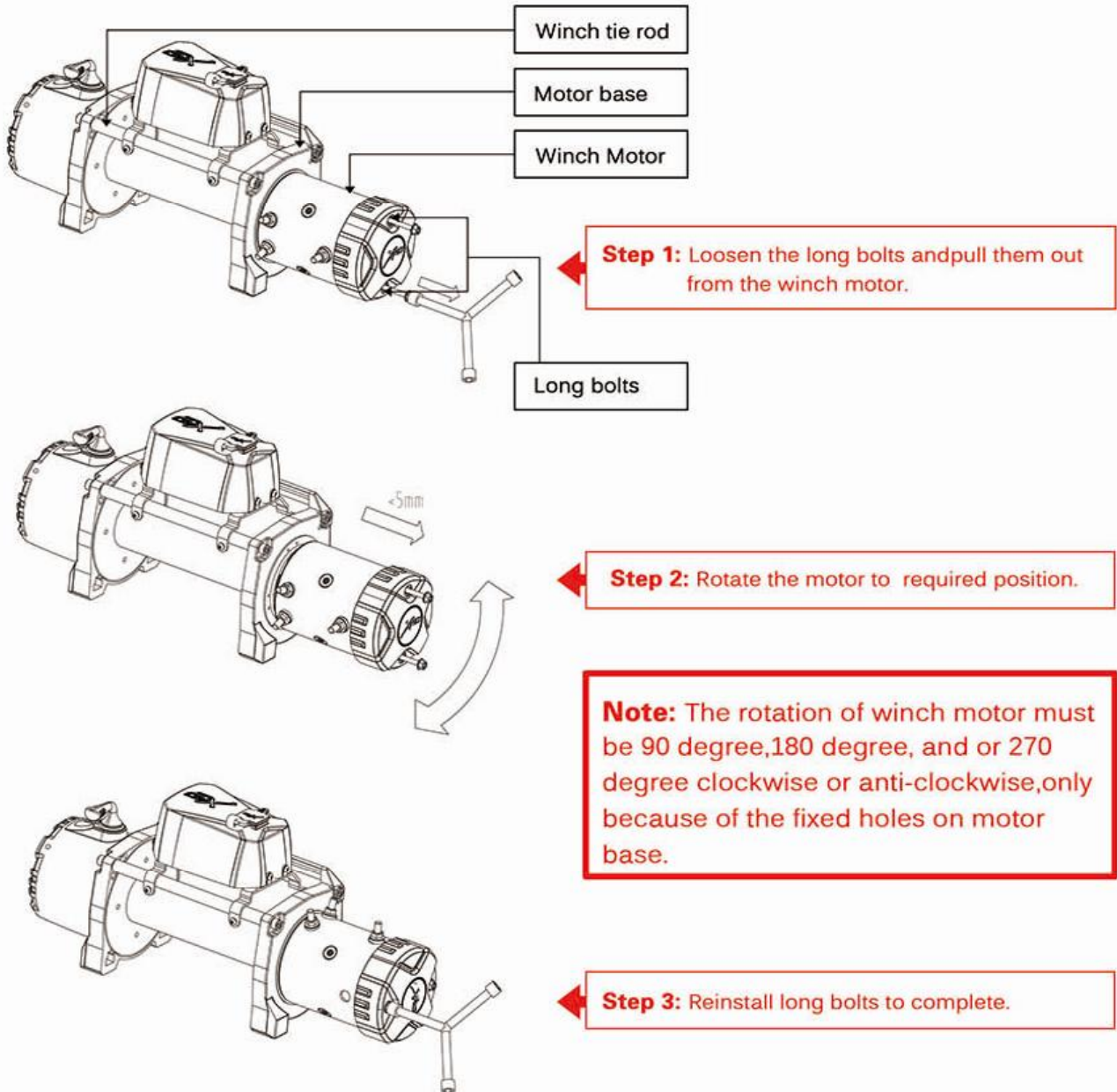
Installation Manual

WWW.SMITYBILT.COM

Winch Motor Clocking

(97495/97412/97415/97417)

Step 1: To clock the winch motor, which can be achieved without taking the



The winch is IP67, the waterproof maybe affected if disassemble the motor. It is best to operate by professionals, and also change the new sealing parts.

For Technical Support/Warranty Information please call 310-762-9944

Smittybilt, 400 West Artesia Blvd, Compton, CA 90220

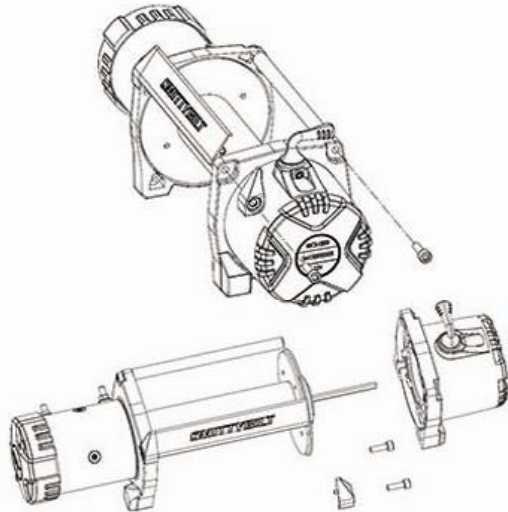


Installation Manual

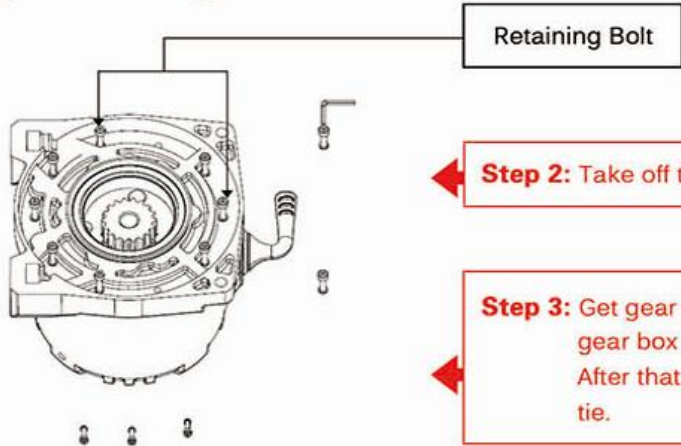
WWW.SMITYBILT.COM

Gear Box Clocking Instructions

(97495/97412/97415/97417)

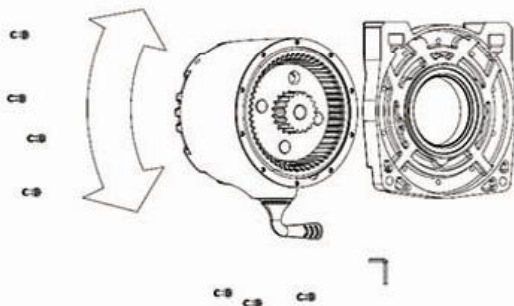


Step 1: Loosen the tie rods to take the gear box apart from them.



Step 2: Take off the retaining bolts (totally 10pcs)

Step 3: Get gear box rotated, then connect the gear box with the gear box base again. After that connect the gear box with the tie.



No pls: The rotation of gear box must be 36 degree, or a degree which is the multiple of 36 degree clock-wisely or anti-clock-wisely due to the fixed holes to receive the connection with the retaining Bolts.

The winch is IP67, the waterproof may be affected if disassemble the gear box. It is best to operate by professionals, and also change the new sealing parts.

For Technical Support/Warranty Information please call 310-762-9944

Smittybilt, 400 West Artesia Blvd, Compton, CA 90220



Installation Manual

WWW.SMITTYBILT.COM

Common faults and simple processing mode

Description	Possible reasons	Measures
Drum cannot rotate normally under no load	<ol style="list-style-type: none"> 1. The winch is installed by wrong way so that the end bearing lock the drum. 2. Brake damage 3. Gear damage 4. The clutch handle is on position "out". 	<p>Refer to the "instructions " installation section to check if installation correct.</p> <p>Check and replace the brake; check and replace the damaged gear; Put the clutch handle on "in" position</p>
Drum cannot rotate normally under load	<ol style="list-style-type: none"> 1. The winch overload 2. Lower Voltage 3. The winch is installed by wrong way so that the end bearing lock the drum 	<p>Reference specified rated load.</p> <p>Reference the parameter table and ensure adequate power</p> <p>Refer to the "instructions " installation section to check if installation correct.</p>
Winch speed is too slow or high temperature	<ol style="list-style-type: none"> 1. Lower Voltage 2. Motor damage 3. The winch is operated for a long time 	<p>Reference the parameter table and ensure adequate power</p> <p>Replace the Motor</p> <p>Waiting temperature drop</p>
Drum cannot pull out the rope	<ol style="list-style-type: none"> 1. The clutch does not disengage 2. The winch is installed by wrong way so that the end bearing lock the drum 	<p>Refer to operating instructions and check the clutch</p> <p>Refer to the "instructions " installation section to check if installation correct.</p>
No brake	Brake invalid	Replace the brake
Abnormal noise or drum vibrate on winding direction	<ol style="list-style-type: none"> 1. Higher Voltage 2. The winch is installed by wrong way so that the drum locked. 	<p>Ensure the voltage is normal</p> <p>Refer to the "instructions " installation section to check if installation correct.</p>
The clutch is difficult to rotate	<ol style="list-style-type: none"> 1. The Winch don't be used for a long time so that the lubricating oil conglutinate to related parts; 2. The gear box is vibrated for a long time so that the fluctuation gap deflects to one side. 3. The gears locked when meshing. 	Rotate the drum by forward and reverse
Winch cannot rotate or rotate by only a direction when press the button on handheld remote controller	<ol style="list-style-type: none"> 1. The control cable are not connected well. 2. The electromagnetic switch is not flexible after long time unused. 	<p>Connect the cable correctly</p> <p>Slap the control box</p>



Installation Manual

WWW.SMITTYBILT.COM

SMITTYBILT ADVANTAGE WARRANTY

LIMITED LIFETIME WARRANTY FOR MECHANICAL COMPONENTS

LIMITED THREE (3) YEAR WARRANTY FOR ELECTRICAL COMPONENTS

Smittybilt Automotive Products, LLC (SAP) warrants to the original purchaser that (a) the mechanical components (e.g., gears, clutch, spools, etc.) of any SAP winch will be free of defects in material and workmanship for the lifetime of the winch, and (b) the electrical components (e.g., electric motor, wires, solenoid, etc.) will be free of defects in material and workmanship for a period of (3) years from the original date of purchase. This Warranty applies only to the original purchaser of the winch. To obtain any warranty service, you must provide SAP with proof of purchase and date of purchase acceptable to SAP, such as a copy of your purchase receipt.

This warranty does not cover the removal or reinstallation of the winch. SAP will, at its sole option, repair, replace or refund the purchase price of a defective winch or component, provided you return the defective winch or component during the warranty period, transportation charges prepaid, to SAP. Attach your name, address, telephone number, a brief description of the problem, and a copy of your receipt and original bill of sale bearing the SAP serial number of the defective winch and date of purchase.

This warranty does not apply (i) to finish, paint or the wire rope; (ii) if the winch has been damaged by accident, abuse, misuse, collision, overloading, modification, misapplication, improper installation, or improper service; or (iii) any normally wearable part such as the break mechanism. This Warranty is void if any SAP serial number has been removed or defaced. Commercial or industrial use or application, or any hoisting application of the winch voids the Warranty. This Warranty is good only for winches bought, sold and used in the United States unless otherwise specifically agreed in writing by SAP.

THE WARRANTY SET FORTH ABOVE IS THE ONLY WARRANTY. THERE ARE NO OTHER WARRANTIES, EXPRESS OR IMPLIED, INCLUDING BUT NOT LIMITED TO IMPLIED WARRANTIES OF MERCHANTABILITY OR FITNESS FOR A PARTICULAR PURPOSE. ANY IMPLIED WARRANTY WHICH BY LAW MAY NOT BE EXCLUDED IS LIMITED IN DURATION TO ONE (1) YEAR FROM THE DATE OF ORIGINAL RETAIL PURCHASE OF THE PRODUCT. No SAP dealer, agent or employee is authorized to make any modification, extension or addition to this warranty. SAP SHALL NOT BE LIABLE FOR SPECIAL, INDIRECT, INCIDENTAL OR CONSEQUENTIAL DAMAGES (INCLUDING, BUT NOT LIMITED TO, LOST PROFITS, DOWN TIME OR LOSS OF USE) UNDER ANY LEGAL THEORY, EVEN IF SAP WAS ADVISED OF THE POSSIBILITY OF SUCH DAMAGES. Some states do not allow the exclusion of implied warranties or the exclusion or limitation of liability for incidental or consequential damages, or limitations on how long an implied warranty lasts, so the above limitation or exclusion may not apply to you. This Warranty gives you specific legal rights. You may also have other rights that vary from state to state. SAP reserves the right to change product design without notice. In situations in which SAP has changed a product design, SAP shall have no obligation to upgrade or otherwise modify previously manufactured products. For warranty inquiries contact SAP at.

SMITTYBILT AUTOMOTIVE PRODUCTS, LLC
Customer Service Department
400 West Artesia Blvd.
Compton, CA 90220
1-888-717-5797

For Technical Support/Warranty Information please call 310-762-9944

Smittybilt, 400 West Artesia Blvd, Compton, CA 90220



Installation Manual

WWW.SMITYBILT.COM

Understanding IP Ratings

- The first digit indicates the level of protection that the enclosure provides against access to hazardous parts (e.g., electrical conductors, moving parts) and the ingress of solid foreign objects.
- The second digit indicates protection of the equipment inside the enclosure against harmful ingress of water.



Level	Object size protected against	Effective against
0	—	No protection against contact and ingress of objects
1	>50 mm	Any large surface of the body, such as the back of a hand, but no protection against deliberate contact with a body part
2	>12.5mm	Fingers or similar objects
3	>2.5 mm	Tools, thick wires, etc.
4	>1 mm	Most wires, screws, etc.
5	Dust protected	Ingress of dust is not entirely prevented, but it must not enter in sufficient quantity to interfere with the satisfactory operation of the equipment; complete protection against contact
6	Dust tight	No ingress of dust; complete protection against contact



Installation Manual

WWW.SMITTYBILT.COM

Level	Protected against	Testing for	Details
0	Not protected	—	—
1	Dripping water	Dripping water (vertically falling drops) shall have no harmful effect.	Test duration: 10 minutes Water equivalent to 1mm rainfall per minute
2	Dripping water when tilted up to 15°	Vertically dripping water shall have no harmful effect when the enclosure is tilted at an angle up to 15° from its normal position.	Test duration: 10 minutes Water equivalent to 3mm rainfall per minute
3	Spraying water	Water falling as a spray at any angle up to 60° from the vertical shall have no harmful effect.	Test duration: 5 minutes Water volume: 0.7 litres per minute Pressure: 80–100 kN/m ²
4	Splashing water	Water splashing against the enclosure from any direction shall have no harmful effect.	Test duration: 5 minutes Water volume: 10 litres per minute Pressure: 80–100 kN/m ²
5	Water jets	Water projected by a nozzle (6.3mm) against enclosure from any direction shall have no harmful effects.	Test duration: at least 3 minutes Water volume: 12.5 litres per minute Pressure: 30 kN/m ² at distance of 3m
6	Powerful water jets	Water projected in powerful jets (12.5mm nozzle) against the enclosure from any direction shall have no harmful effects.	Test duration: at least 3 minutes Water volume: 100 litres per minute Pressure: 100 kN/m ² at distance of 3m
7	Immersion up to 1 m	Ingress of water in harmful quantity shall not be possible when the enclosure is immersed in water under defined conditions of pressure and time (up to 1 m of submersion).	Test duration: 30 minutes Immersion at depth of 1m



Installation Manual

WWW.SMITTYBILT.COM

Warranty Information Card

First name: _____ Last name: _____

Age: _____ Sex: _____

Marital Status: _____ Level of Education: _____

City/Province: _____ Zip/Postal Code: _____

Country: _____ Telephone Number: _____

Email Address: _____

Which Smittybilt winch did you purchase? _____

Model Number: _____

Date of Purchase: _____

Where did you purchase this product? _____

Store or catalog name: _____

Store Location: _____

How satisfied were you with the dealer and/or sales staff?

Who installed or will install your Smittybilt product?

Is this the first time you have purchase a winch?

If no, what brand have you brought before?

What type of vehicle will this Smittybilt winch be installed on?

Year: _____ Make: _____ Model: _____

2WD: _____ 4WD: _____

What is the vehicles main use?

What other accessories have you purchased for your vehicle?

To register your warranty, please fill out this information card and mail to:
Smittybilt
400 West Artesia Blvd
Compton, CA 90220
Make sure to keep a copy for yourself.



400 W. ARTESIA BLVD., COMPTON CA 90220
888-717-5797
WWW.SMITTYBILT.COM