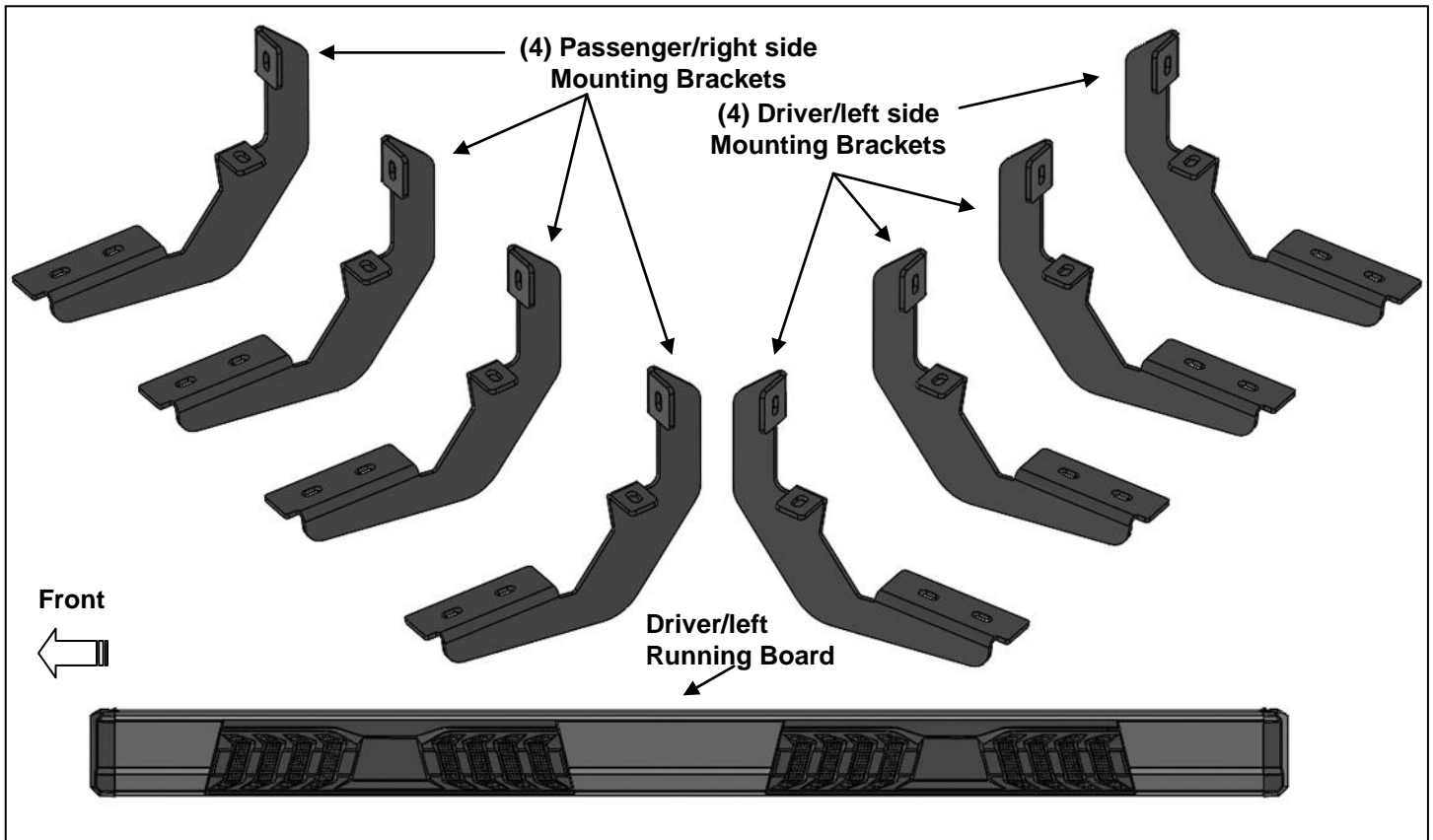


**PARTS LIST: S112209 S112210**

1	Driver/left side Running Board	16	8-1.25mm x 30mm Hex Bolts
1	Passenger/right side Running Board	16	8mm Lock Washers
4	Driver/left side Mounting Brackets	32	8mm x 24mm x 2mm Flat Washers
4	Passenger/right side Mounting Brackets	16	8mm Nylon Lock Nuts
8	8mm x 35mm Double Bolt Plates		



**PROCEDURE:**

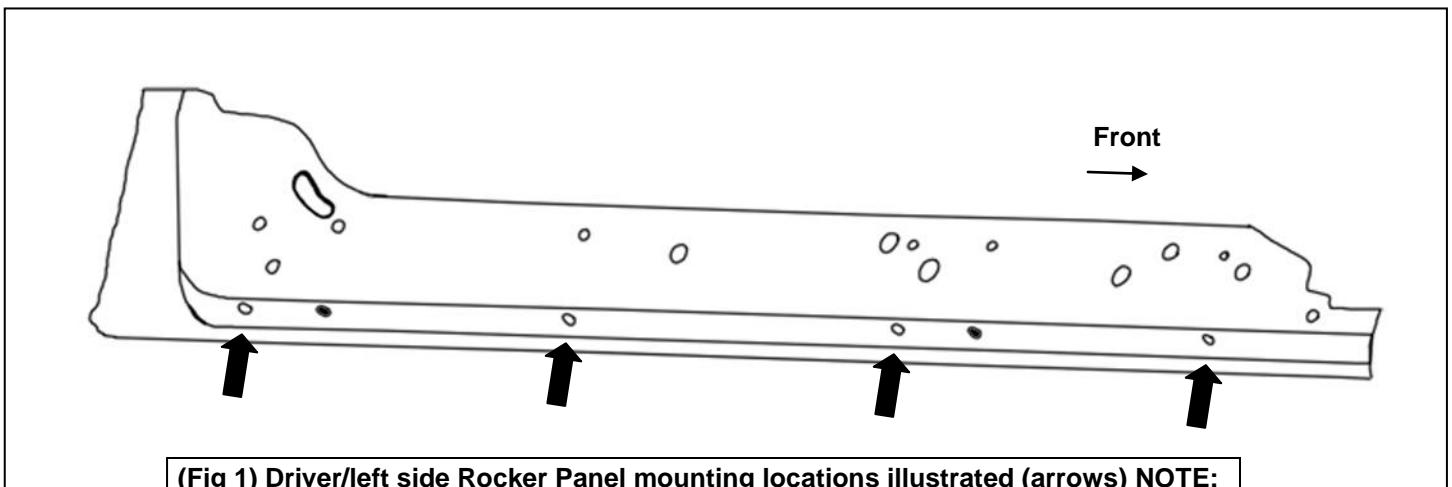
**REMOVE CONTENTS FROM BOX. VERIFY ALL PARTS ARE PRESENT. READ INSTRUCTIONS CAREFULLY BEFORE STARTING INSTALLATION. ASSISTANCE IS RECOMMENDED.**

1. Start the installation under the driver side of the vehicle. Locate the 6 plugs along the bottom edge of the body. Mounting Brackets will bolt to the 1st, 3rd, 4th and 6th threaded mounting holes, **(Figures 1—6)**. Remove the plastic plugs from each mounting location. Directly above each threaded insert is a top mounting location on the side of the body panel. Hold a Bracket up in place to help determine the correct mounting holes to use along the body. **NOTE:** Thread an 8mm Hex Bolt into the threaded inserts to clear paint as required.
2. Select (1) Driver/left side Mounting Bracket. Starting at the front of the driver/left side, bolt the Mounting Bracket to the factory threaded holes with (2) 8mm Hex Bolts, (2) 8mm Lock Washers and (2) 8mm Flat Washers, **(Figure 7)**. Do not tighten hardware at this time.
3. Repeat **Steps 1 & 2** to install (3) Driver/left side Mounting Brackets on the remaining mounting locations along the body panel.
4. Select the Driver/left side Running Board. Use the illustration above to help determine the correct Running Board. **NOTE:** The front stepping pad is closer to the front end of the Running Board. Place the Running Board on top of the Brackets. **IMPORTANT:** Do not slide, (front to back), the Running Board on the Brackets or damage to the finish may result.

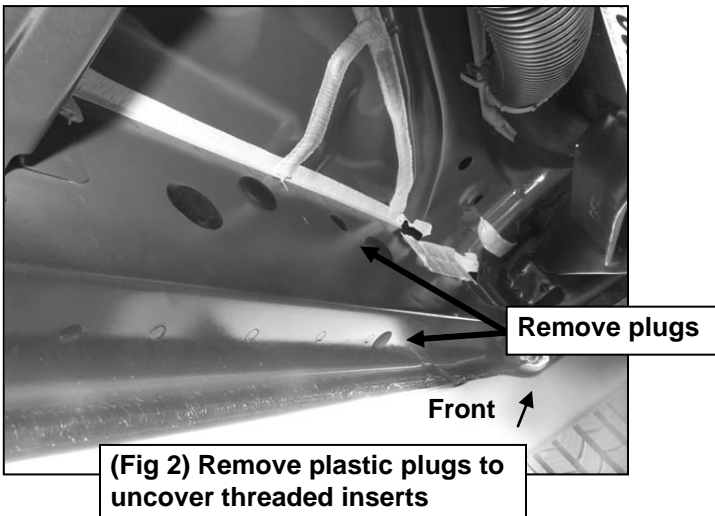
5. Locate the channel opening in the bottom of the Running Board. Select (3) 8mm Double Bolt Plates, **(Figure 8)**. Insert the Bolt Plates into the channel in the bottom of the Running Board closest to the Brackets, **(Figure 9)**. Lift the Running Board up and guide the studs through the Brackets.
6. Attach the Running Board to the Brackets with (8) 8mm Flat Washers and (8) 8mm Nylon Lock Nuts, **(Figures 10—12)**.
7. Level and adjust the Running Board and fully tighten all hardware.
8. Repeat **Steps 1—7** to install the Passenger/right side Running Board.
9. Do periodic inspections to the installation to make sure that all hardware is secure and tight.

**To protect your investment**, wax this product after installing. Regular waxing is recommended to add a protective layer over the finish. Do not use any type of polish or wax that may contain abrasives that could damage the finish. Aluminum polish may be used to polish small scratches and scuffs on the finish. Mild soap may be used also to clean the Running Board.

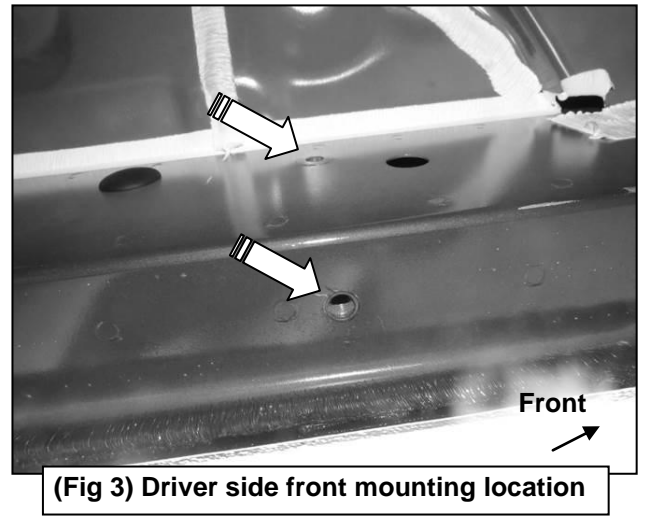
### Driver/left side Installation Pictured



**(Fig 1) Driver/left side Rocker Panel mounting locations illustrated (arrows) NOTE: Hold Bracket up to body panel to help determine the correct mounting locations.**

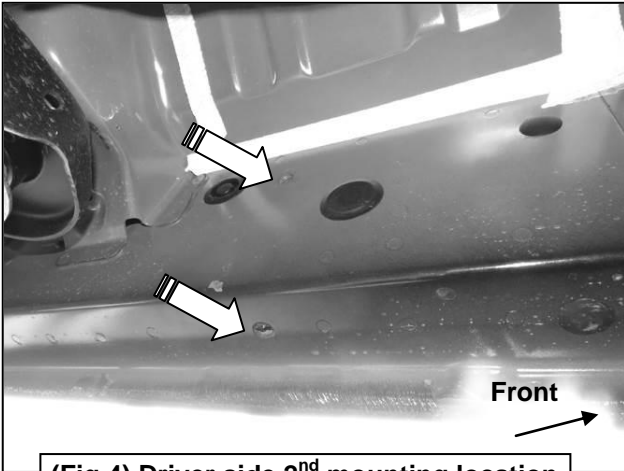


**(Fig 2) Remove plastic plugs to uncover threaded inserts**

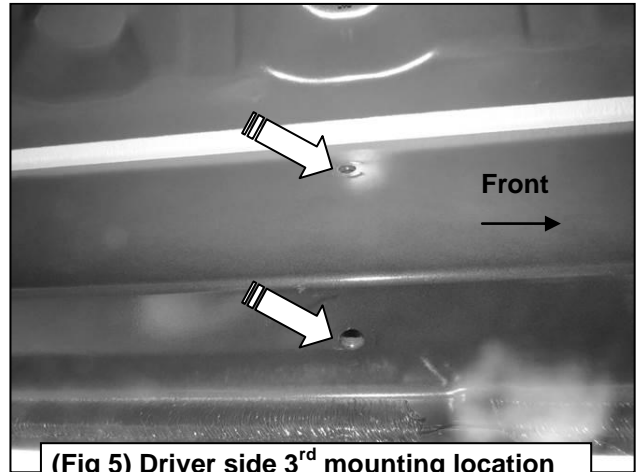


**(Fig 3) Driver side front mounting location**

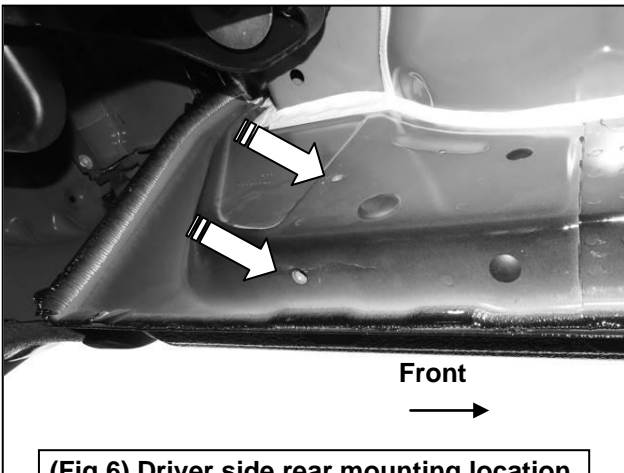
**Driver/left side Installation Pictured**



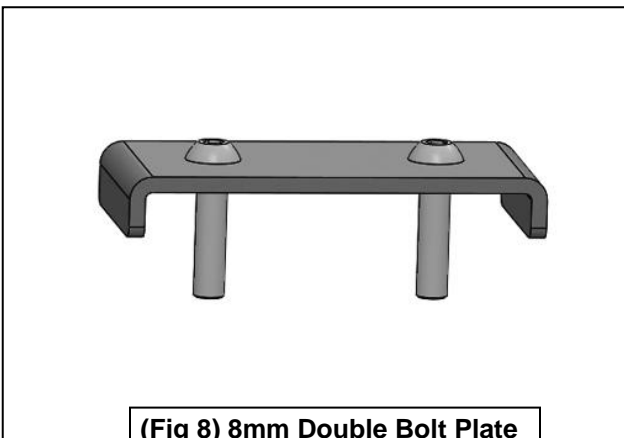
**(Fig 4) Driver side 2<sup>nd</sup> mounting location**



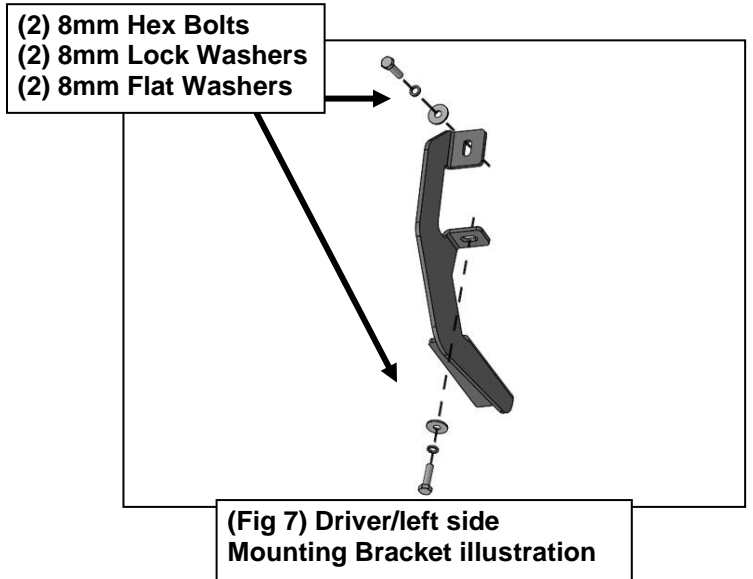
**(Fig 5) Driver side 3<sup>rd</sup> mounting location**



**(Fig 6) Driver side rear mounting location**

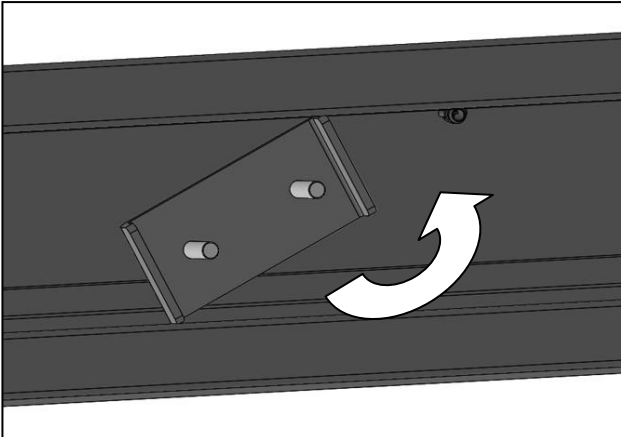


**(Fig 8) 8mm Double Bolt Plate**

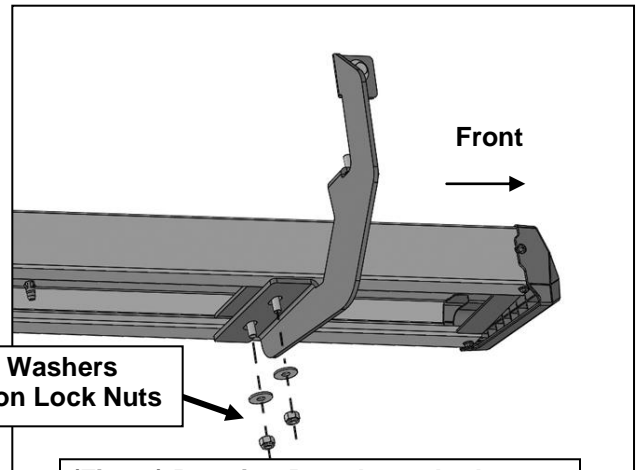


**(Fig 7) Driver/left side Mounting Bracket illustration**

### Driver/left side Installation Pictured

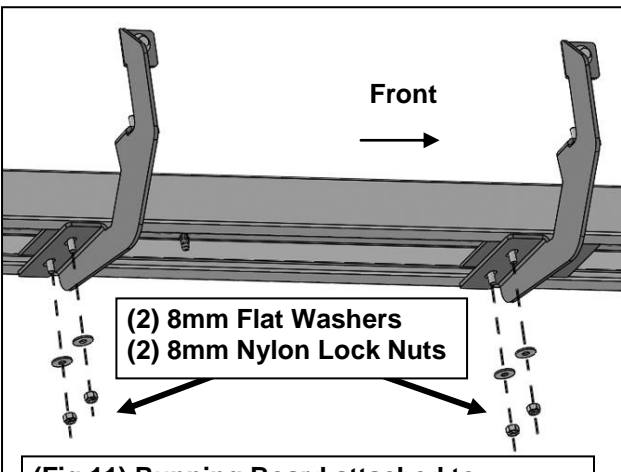


(Fig 9) Insert 8mm Double Bolt Plate through the channel in the bottom of the Running Board



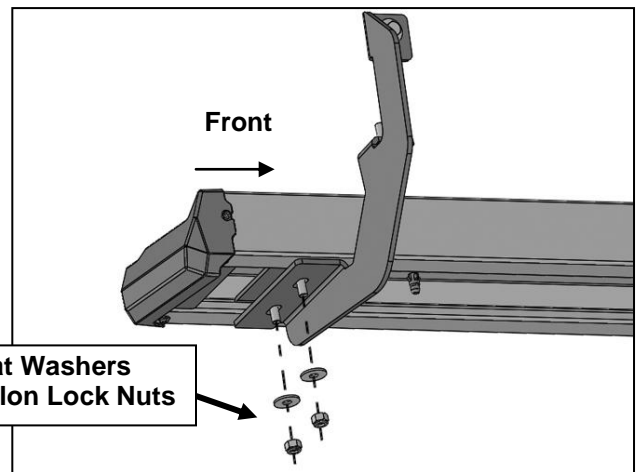
(2) 8mm Flat Washers  
(2) 8mm Nylon Lock Nuts

(Fig 10) Running Board attached to Driver/left side front Mounting Bracket



(2) 8mm Flat Washers  
(2) 8mm Nylon Lock Nuts

(Fig 11) Running Board attached to Driver/left side 2<sup>nd</sup> & 3<sup>rd</sup> Mounting Brackets



(2) 8mm Flat Washers  
(2) 8mm Nylon Lock Nuts

(Fig 12) Running Board attached to Driver/left side rear Mounting Brackets