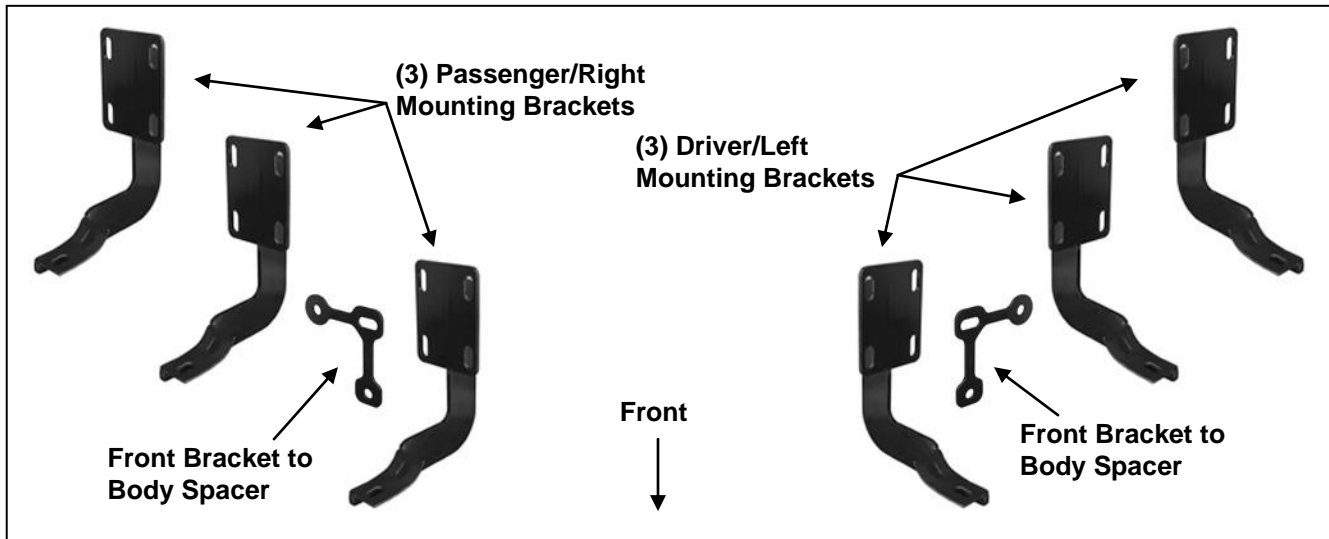


PARTS LIST:

1	Driver/Left Sidebar	24	8-1.25mm x 30mm Hex Bolts
1	Passenger/Right Sidebar	12	8-1.25mm x 25mm Hex Bolts
3	Driver/Left Mounting Brackets	48	8mm x 24mm OD x 2mm Flat Washers
3	Passenger/Right Mounting Brackets	36	8mm Lock Washers
2	Front Bracket Spacers	12	8mm Hex Nuts
12	8mm Clip Nuts		



PROCEDURE:

- 1. REMOVE CONTENTS FROM BOX. VERIFY ALL PARTS ARE PRESENT. READ INSTRUCTIONS CAREFULLY BEFORE STARTING INSTALLATION. ASSISTANCE IS RECOMMENDED. DRILLING IS OPTIONAL.**
- Starting on the driver side-front of the vehicle, locate the front set of factory holes in the body panel and the (2) holes in the pinch weld under the front of the front door. **(Figures 1 & 2).** Select (1) 8mm Clip Nut. Insert the Clip Nut into the rectangular opening and line up the threaded hole in the Clip with the round hole next to the opening. **NOTE:** Threaded nut must go towards the inside of the body panel, **(Figures 1 & 2).**
- Next, select (1) Front Bracket Spacer and (1) Driver Side Bracket. Line up the (2) holes in the Spacer with the Clip Nut and (1) hole in the pinch weld, **(Figure 3).** Insert (1) 8mm Hex Bolt, (1) 8mm Lock Washer and (1) 8mm Flat Washer through the top hole in the Bracket, the Spacer and into the Clip Nut. Leave hardware loose. Bolt the bottom of the Bracket to the pinch weld, (and Spacer), with the included (2) 8mm x 30mm Hex Bolts, (2) 8mm Lock Washers and (2) 8mm Flat Washers, **(Figure 4).** **NOTE:** Insert Hex Bolts in from the outside, through the pinch weld and then the Bracket. **IMPORTANT:** Cradles on the Mounting Brackets should face the front of the vehicle.
 - a. OPTION:** The front Bracket installs with (3) Hex Bolts. If desired, a 4th mounting hole can be drilled through the body panel **(Figure 2).** Use the Bracket as a template to determine the location to drill. Drill 3/8" if desired. Extra hardware has been provided.
- Repeat **Steps 2 – 3** for Center and Rear Mounting Bracket installation. **NOTE:** Each mounting location is made up of a rectangular hole with a round hole on each side and two holes through the pinch weld, **(Figures 5 - 7).** If you are not sure which sets of mounting holes to use, (center and last set along cab), hold the driver Sidebar up in the approximate location and line up the

threaded inserts in the Sidebar with the holes in the pinch weld to determine the correct mounting location, **(Figure 9)**.

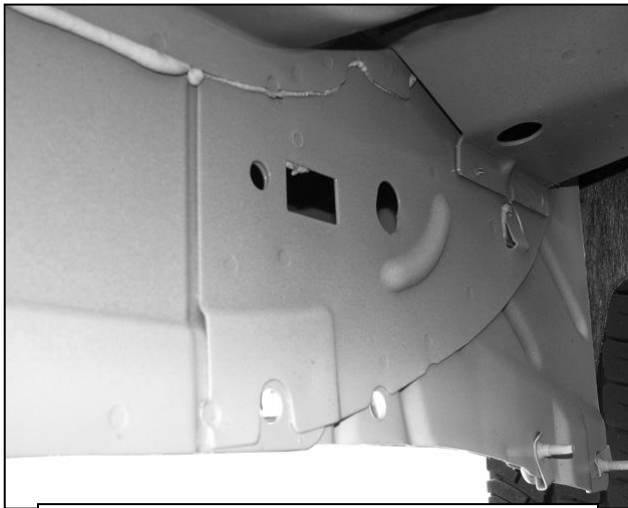
5. Carefully unwrap and position the Sidebar onto the (3) Mounting Brackets. Bolt the Sidebar to the Brackets with (6) 8mm x 25mm Hex Bolts, (6) 8mm Lock Washers, and (6) 8mm Flat Washers, **(Figure 8)**. Do not tighten at this time.
6. Level and adjust Sidebar properly and tighten all hardware.
7. Repeat **Steps 2 – 6** for passenger Sidebar installation.
8. Do periodic inspections to the installation to make sure that all hardware is secure and tight.

To protect your investment, wax this product after installing. Regular waxing is recommended to add a protective layer over the finish. Do not use any type of polish or wax that may contain abrasives that could damage the finish.

For stainless steel: Aluminum polish may be used to polish small scratches and scuffs on the finish. Mild soap may be used also to clean the Sidebar.

For gloss black finishes: Mild soap may be used to clean the Sidebar.

Driver Side Installation Pictured



(Fig 1) Driver side front mounting location

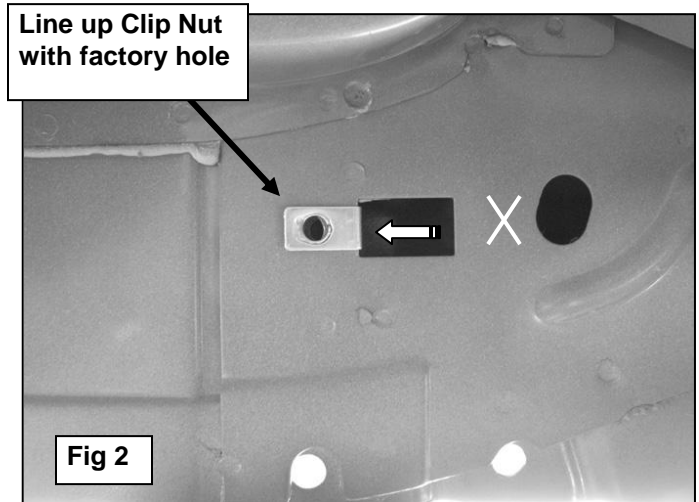
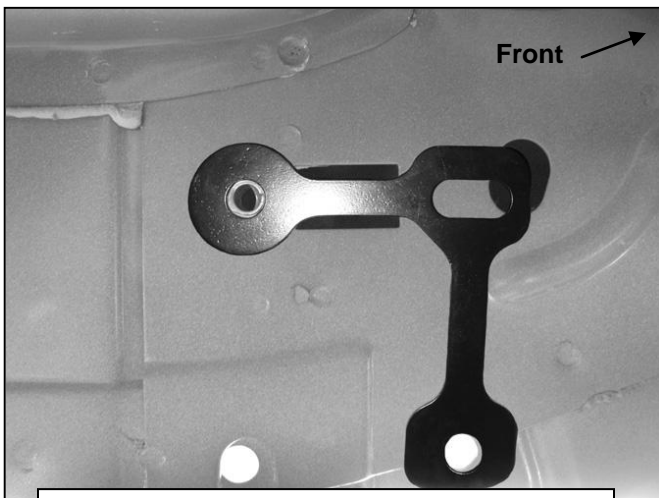


Fig 2

**8mm x 30mm Hex Bolt
8mm Lock Washer
8mm Flat Washer**



(Fig 3) Front Bracket Spacer on driver side

**8mm x 30mm Hex Bolt
8mm Lock Washer
(2) 8mm Flat Washers
8mm Hex Nut**

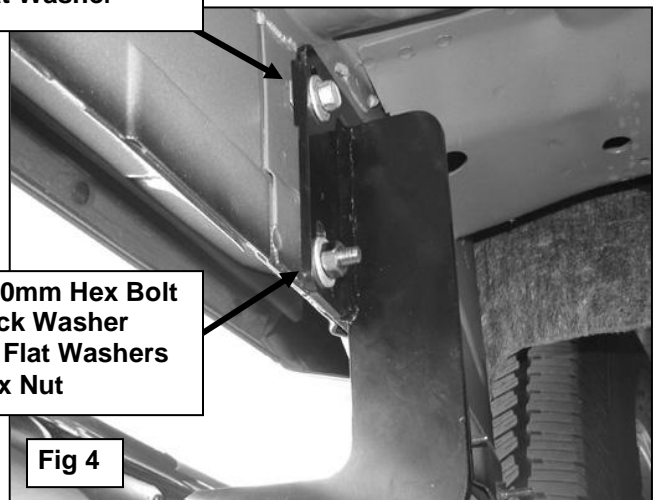
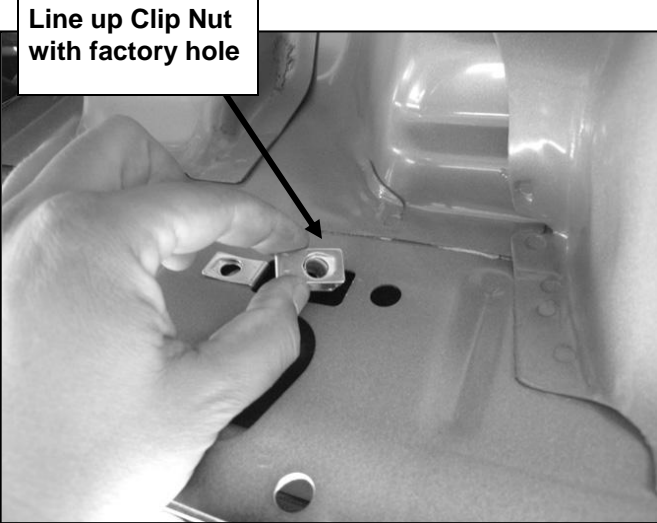


Fig 4

5IN WHEEL TO WHEEL SIDEBAR
 99-12 FORD F-250/450 SUPERDUTY CREW CAB W/6-1/2' BED
 EXCLUDES MODELS WITH DUAL REAR WHEELS



Line up Clip Nut with factory hole

(Fig 5) Example center or rear mounting location

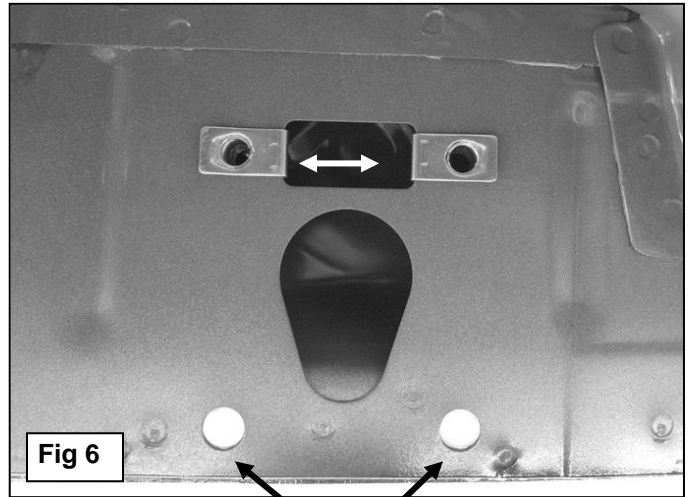
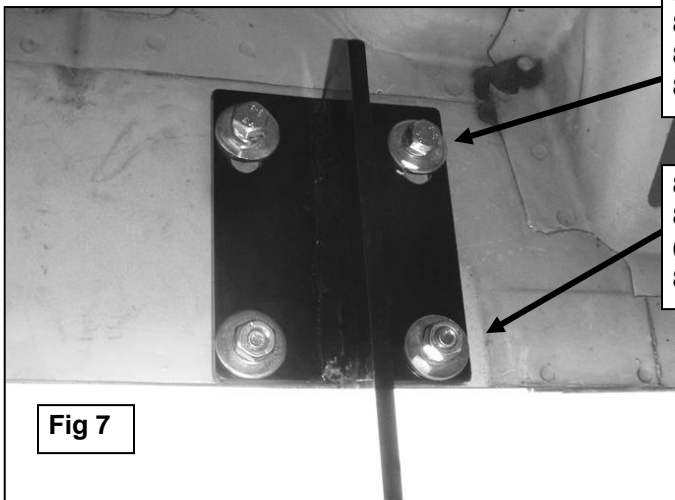


Fig 6

Factory holes in pinch weld



8mm Clip Nuts
 8mm x 30mm Hex Bolts
 8mm Lock Washers
 8mm Flat Washers

8mm x 30mm Hex Bolts
 8mm Lock Washers
 (2) 8mm Flat Washers
 8mm Hex Nuts

Fig 7

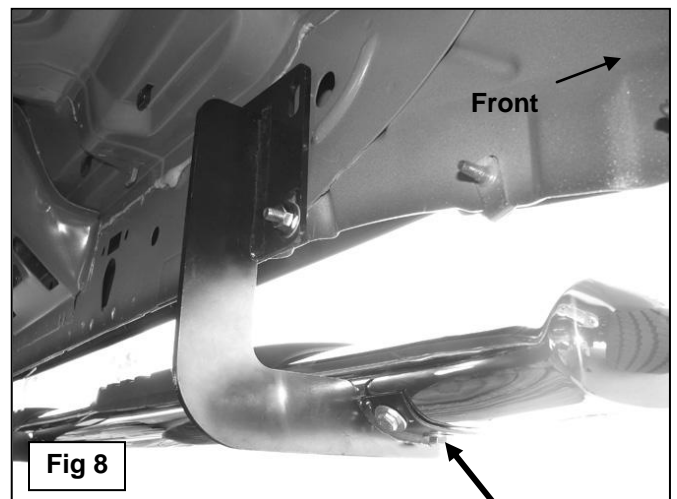
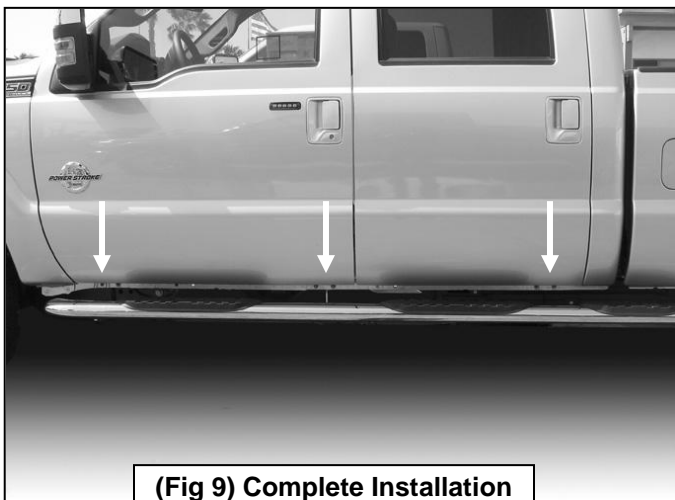


Fig 8

Front

(2) 8mm x 25mm Hex Bolts
 (2) 8mm Lock Washers
 (2) 8mm Flat Washers



(Fig 9) Complete Installation