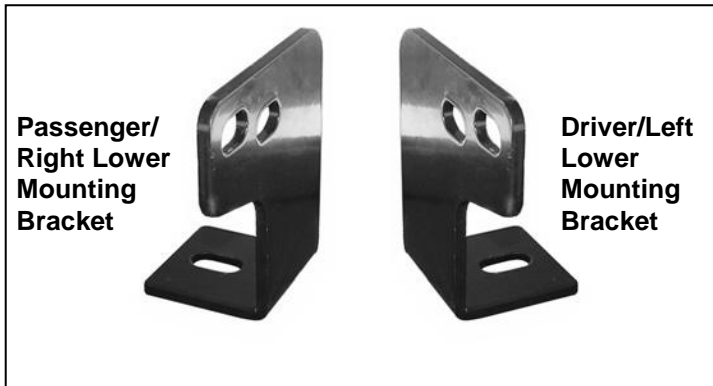


PARTS LIST:

1	Extreme Grille Guard	4	12mm x 32mm OD x 3mm Flat Washers
1	Driver/Left Lower Mounting Bracket	2	12mm Lock Washers
1	Passenger/Right Lower Mounting Bracket	2	12mm Hex Nuts
2	12-1.75mm x 35mm Gr. 10.9 Hex Bolts		



PROCEDURE:

REMOVE CONTENTS FROM BOX. VERIFY ALL PARTS ARE PRESENT. READ INSTRUCTIONS CAREFULLY BEFORE STARTING INSTALLATION. ASSISTANCE IS HIGHLY RECOMMENDED TO AVOID POSSIBLE INJURY OR DAMAGE TO THE VEHICLE. CUTTING IS REQUIRED.

1. Before beginning installation, measure the gap between the headlight assembly and the bumper cover on both sides of the vehicle, **(Figure 1)**. Also note the gap between the grille shell and the bumper cover. Record these measurements as the installation requires removal of the bumper bolts and you will need these measurements to properly readjust the bumper height to its original position.
2. Remove the license plate and bracket. Remove the plastic air dam from the bottom of the bumper and place it on a clean, stable work surface, **(Figure 2 & 3)**. Note the location and type of all factory hardware for reinstallation. **NOTE:** To release the 2-piece plastic clips, pry the center pin up with a small flat blade screwdriver.
3. **IMPORTANT!** Place blocks or jack stands under the front bumper to support it during installation. **WARNING!** Do not remove the passenger and/or driver side bumper bolts until the bumper is properly supported or it may fall during installation of Extreme Grille Guard.
4. Once the bumper has been safely supported, remove the (4) factory bumper bolts, **(Figure 4)**. **NOTE:** Bumper bolts are held in place by thin metal retaining clips. Discard the clips and remove the bolts. With assistance, position the Grille Guard up to the mounting location on the front bumper. Line up the (4) holes in the Grille Guard mounting surfaces with the factory bumper mount holes. Make sure there is a minimum of 1/8" clearance between the top and bottom of the mounting tabs on the Grille Guard and the opening in the bumper. Secure the Grille Guard to the vehicle using the factory bolts and double nut plates, **(Figure 4)**. Check bumper alignment and temporarily tighten the (4) bolts at this time. **NOTE:** It may be necessary to loosen and readjust the bumper once the Grille Guard has been installed.
5. Next, from under the driver side of the bumper, remove the (2) factory hex nuts on the outside of the frame channel, **(Figure 5)**. **NOTE:** Do not allow the double bolt plate to fall into the frame channel. Select the driver side Lower Mounting Bracket. Bolt the Mounting Bracket to the factory double bolt plate and secure with the (2) factory hex nuts, **(Figure 5)**. Do not tighten

hardware at this time. Repeat this step for passenger side Lower Mounting Bracket installation. Snug but do not tighten hardware at this time.

6. Attach the Grille Guard to the Lower Mounting Brackets using the included (2) 12mm x 35mm Hex Bolts, (4) 12mm Flat Washers, (2) 12mm Lock Washers and (2) 12mm Hex Nuts, **(Figure 5)**. Do not tighten hardware at this time.
7. Hold the plastic air dam up in position and mark the location of the lower mounting tabs on the grille guard onto the top of the air dam, **(Figure 6 - 8)**. Measure from the bottom of the bumper to the mounting tabs and transfer these measurements onto the back of the air dam, **(Figure 6 & 8)**. Place the air dam back up to the bottom of the bumper to verify location. Check all measurements on the vehicle. Once absolutely satisfied, use a hacksaw blade or utility knife to carefully cut (2) openings in air dam, **(Figure 9)**. **IMPORTANT:** Do not cut through the top or bottom edge of the air dam.
8. Remove the Grille Guard. Reinstall the air dam with the factory hardware. Hold the Grille Guard up in position to check for clearance around the mounting tabs and trim the air dam as necessary. Reinstall the Grille Guard as described in **Steps 4 - 6**. Reinstall the license plate and bracket.
9. Level and adjust Grille Guard and bumper, (if necessary), and tighten all hardware at this time.
10. Do periodic inspections to the installation to make sure that all hardware is secure and tight.

To protect your investment, wax this product after installing. Regular waxing is recommended to add a protective layer over the finish. Do not use any type of polish or wax that may contain abrasives that could damage the finish.

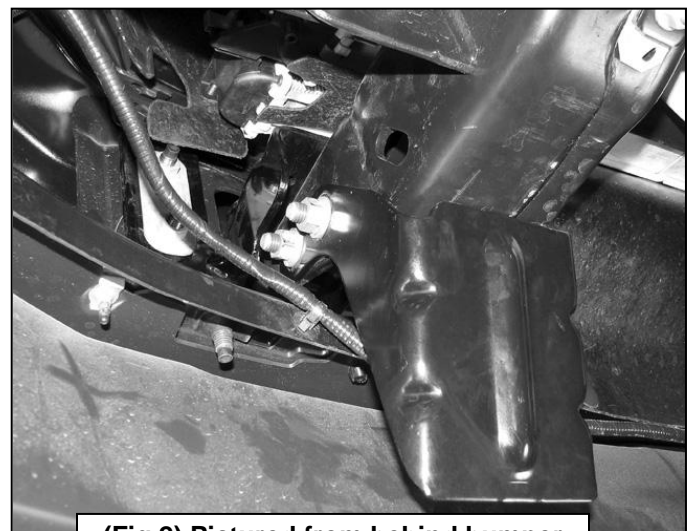
For stainless steel: Aluminum polish may be used to polish small scratches and scuffs on the finish. Mild soap may be used also to clean the Grille Guard.

For gloss black finishes: Mild soap may be used to clean the Grille Guard.

Driver Side Installation Pictured



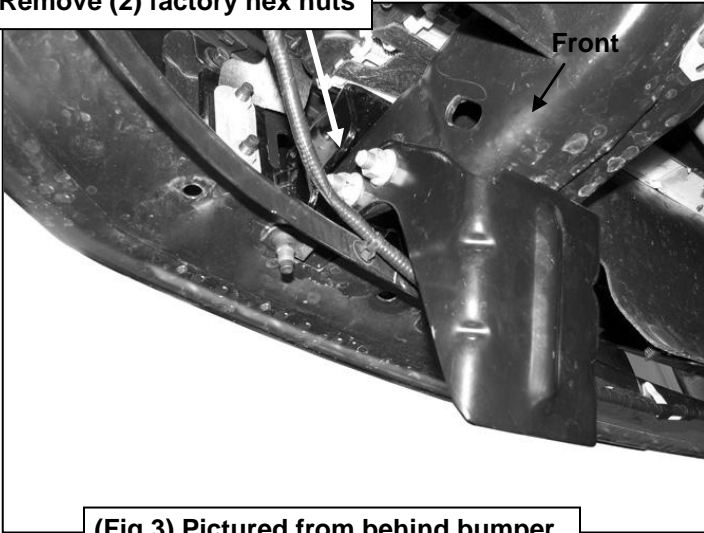
Before removing bumper bolts, measure gaps above bumper on driver and passenger side to relocate bumper



WARNING! Do not remove bumper bolts unless the bumper is properly supported on blocks or stands or the bumper may fall.

Driver Side Installation Pictured

Remove (2) factory hex nuts



(Fig 3) Pictured from behind bumper

Factory bumper bolts

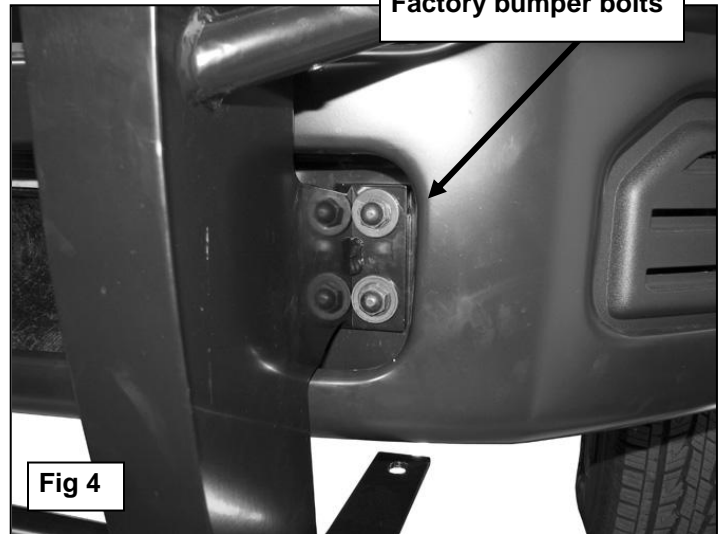
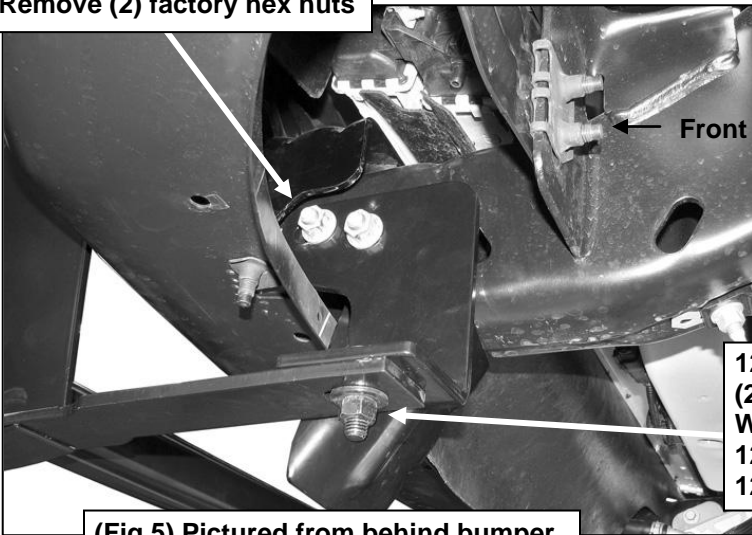


Fig 4

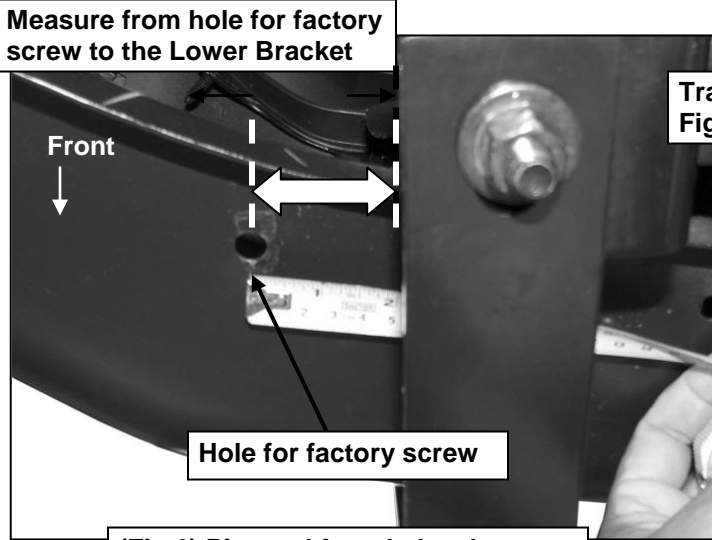
Remove (2) factory hex nuts



(Fig 5) Pictured from behind bumper

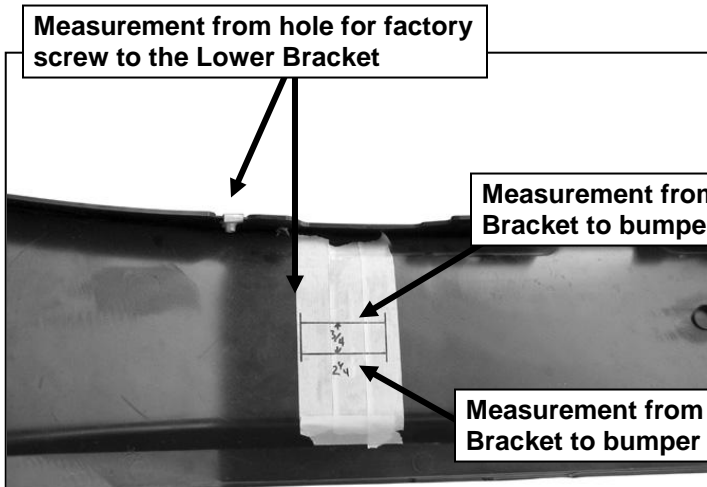
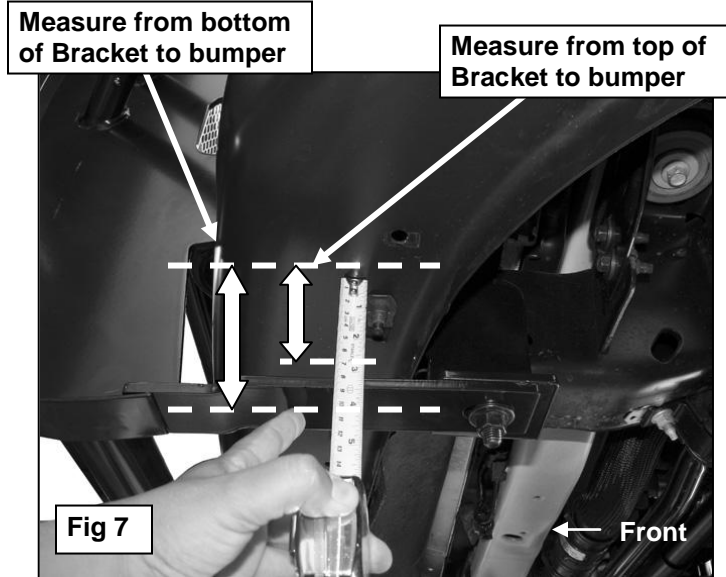
**12mm x 35mm Hex Bolt
(2) 12mm 32mm Flat Washers
12mm Lock Washer
12mm Hex Nut**

Driver Side Installation Pictured



(Fig 6) Pictured from below bumper

Transfer measurement from Figure 6 to top of air dam



(Fig 8) Driver side-back of spoiler pictured

Do not cut through the top or bottom edges of the air dam. Only remove enough material to clear the Mounting Brackets

