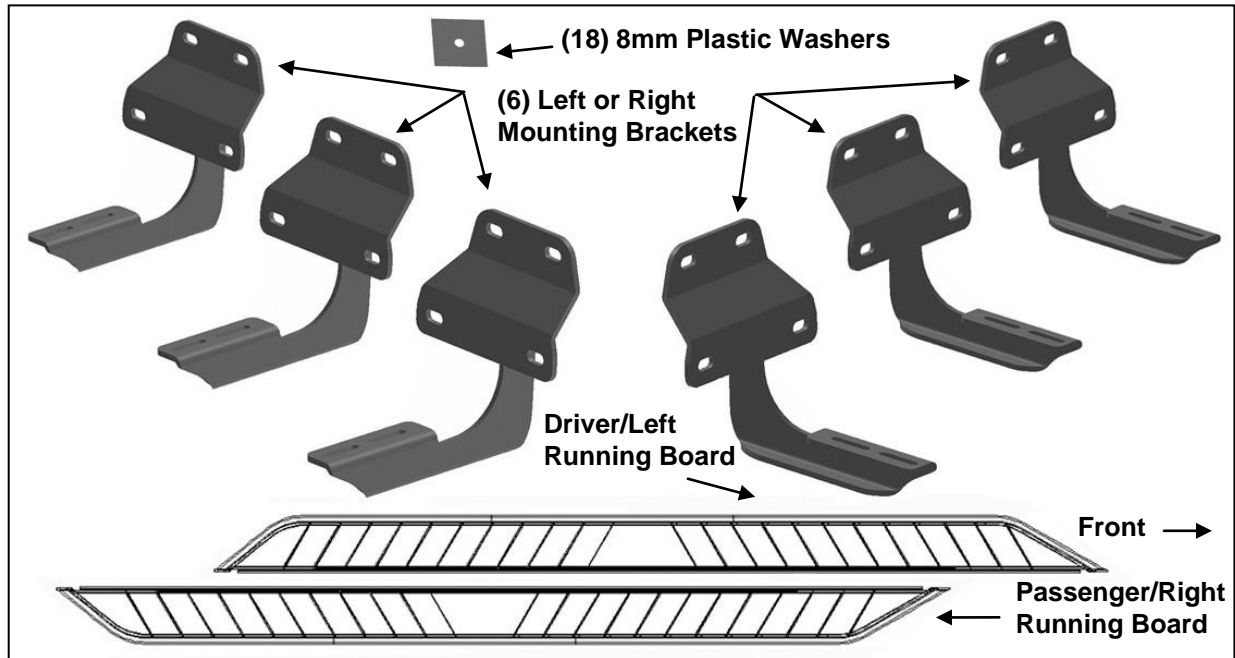


PARTS LIST: SD1459

1	Driver/left Running Board	18	8mm x 1.25mm Nylon Lock Nut
1	Passenger/right Running Board	12	6mm T-Bolts
6	Universal (left or right) Mounting Brackets	12	6mm x 22mm x 2mm Flat Washers
18	8mm Plastic Insulator Washers	12	6mm Lock Washers
18	8mm x 22mm x 2mm Washer	12	6mm Hex Nuts



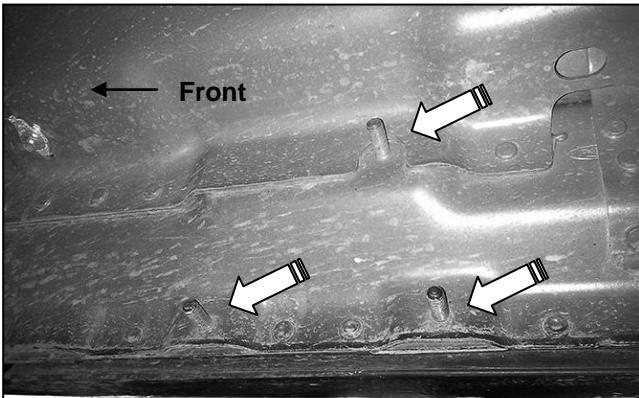
PROCEDURE:

REMOVE CONTENTS FROM BOX. VERIFY ALL PARTS ARE PRESENT. READ INSTRUCTIONS CAREFULLY BEFORE STARTING INSTALLATION. ASSISTANCE IS RECOMMENDED.

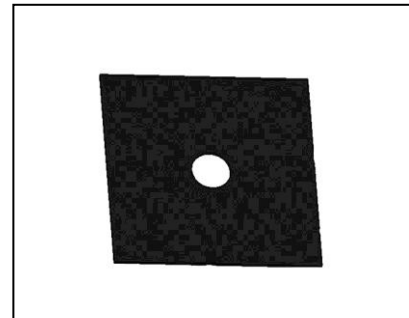
1. Start the installation under the passenger side of the vehicle. Locate the front factory running board mounting location along the inner side of the body, **(Figure 1)**.
2. Slide (1) Plastic Washer over each of the (3) factory mounting studs in the body panel, **(Figures 2 & 3)**. **IMPORTANT:** The Plastic Washers are designed to prevent corrosion between the aluminum body panel and the steel mounting brackets. **Do not install the Brackets without the Plastic Washers.**
3. Select (1) Mounting Bracket. **NOTE:** All (6) Brackets are universal and will fit left or right side. Attach the Mounting Bracket to the (3) factory studs with (3) 8mm Flat Washers and (3) 8mm Nylon Lock Nuts, **(Figures 4 & 5)**. Leave brackets loose at this time.
4. Repeat **Steps 1—3** to install the (2) remaining center and rear passenger side Brackets.
5. Carefully unwrap and select the passenger side Running Board. Slide (3) T-Bolts into each channel, **(Figure 6)**. Slide the T-Bolts forward or back to line up with the (3) previously installed Brackets.
6. Hold the Running Board up to the vehicle at a slight angle and gently push it into position against the end of the Brackets. It may be necessary to loosen the Brackets to fit the Running Board between the Brackets and the body panel. Attach the Running Board to the Mounting Brackets with the included (6) 6mm Flat Washers, (6) 6mm Lock Washers and (6) 6mm Hex Nuts, **(Figures 7 & 8)**. Do not tighten hardware at this time.
7. Level and adjust the Running Board as desired and tighten all hardware.
8. Repeat **Steps 1—7** for the driver side Running Board installation.
9. Do periodic inspections to the installation to make sure that all hardware is secure and tight.

To protect your investment, wax this product after installing. Regular waxing is recommended to add a protective layer over the finish. Do not use any type of polish or wax that may contain abrasives that could damage the finish.
For stainless steel: Aluminum polish may be used to polish small scratches and scuffs on the finish. Mild soap may be used also to clean the Running Board.

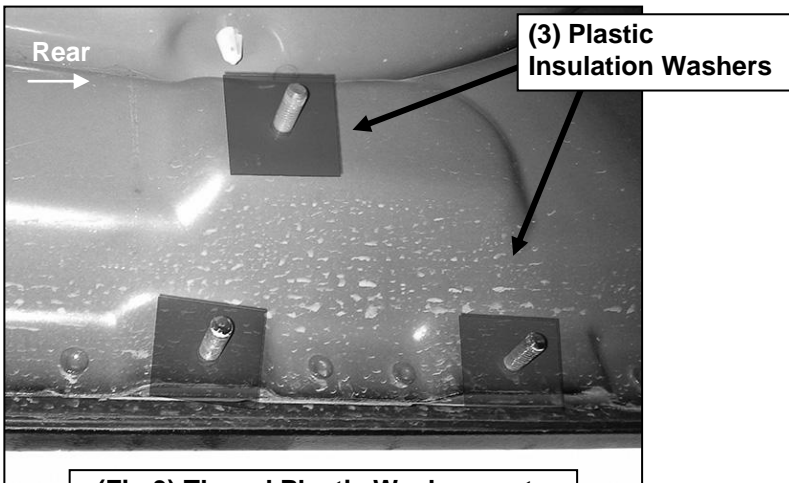
Passenger/right Side Installation Pictured



(Fig 1) Passenger side front mounting location

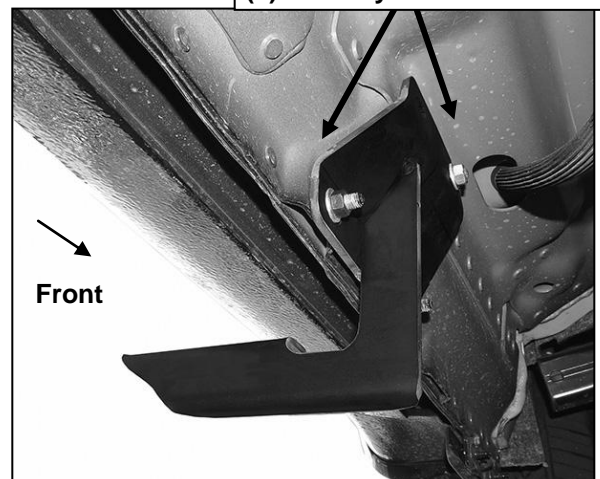


(Fig 2) Plastic Insulation Washer

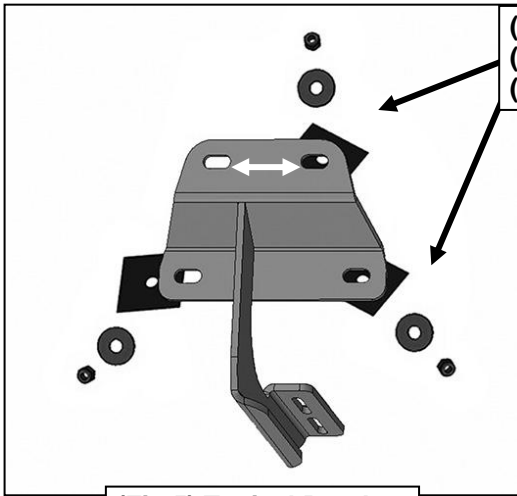


(Fig 3) Thread Plastic Washers onto all mounting studs. Passenger side rear mounting location pictured

- (3) 8mm Plastic Washers
- (3) 8mm Flat Washers
- (3) 8mm Nylon Lock Nuts

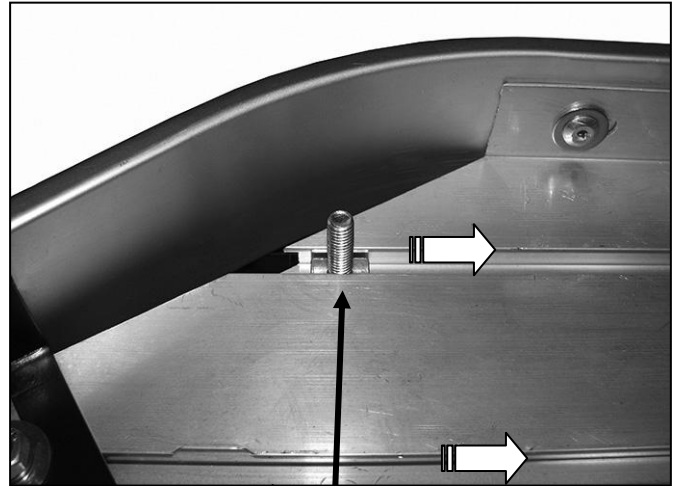


(Fig 4) Driver side front Bracket installation

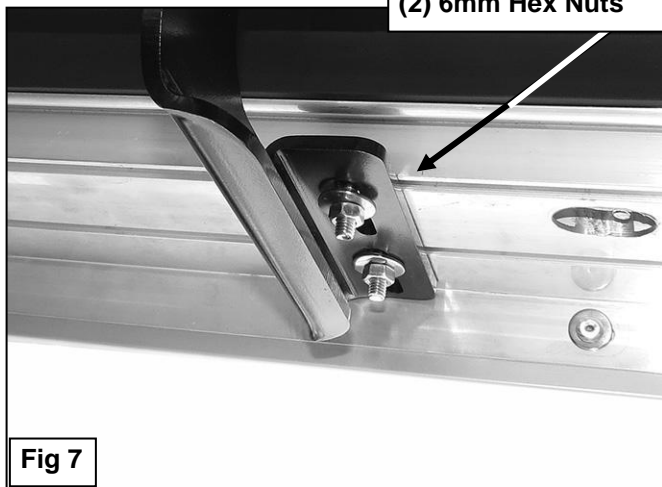


- (3) 8mm Plastic Washers
- (3) 8mm Flat Washers
- (3) 8mm Nylon Lock Nuts

(Fig 5) Typical Bracket installation illustrated

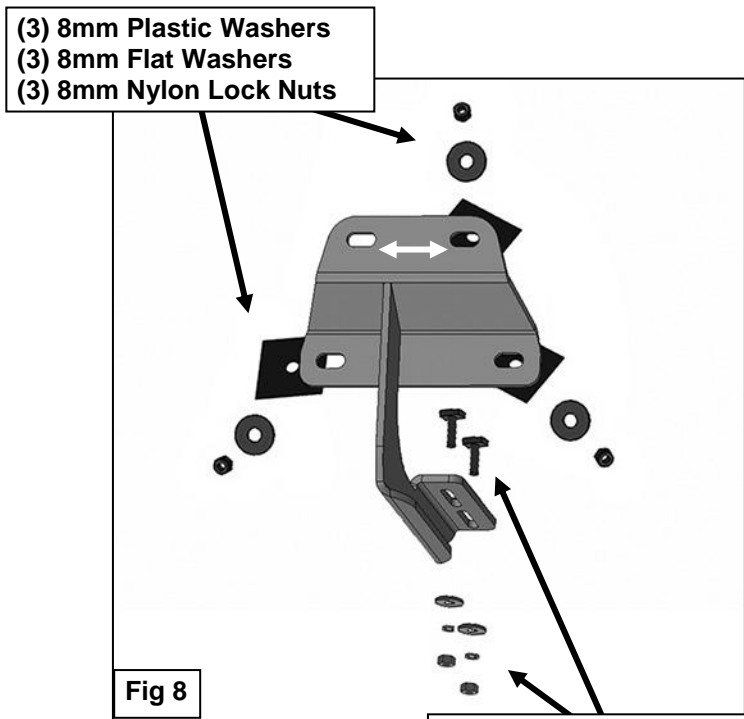


(Fig 6) Slide T-Bolts into channels in bottom of Running Board



- (2) 6mm T-Bolts
- (2) 6mm Flat Washers
- (2) 6mm Lock Washers
- (2) 6mm Hex Nuts

Fig 7



- (3) 8mm Plastic Washers
- (3) 8mm Flat Washers
- (3) 8mm Nylon Lock Nuts

- (2) 6mm T-Bolts
- (2) 6mm Flat Washers
- (2) 6mm Lock Washers
- (2) 6mm Hex Nuts

Fig 8



Complete Installation