

INSTALLATION INSTRUCTIONS

TAILLIGHT GUARD

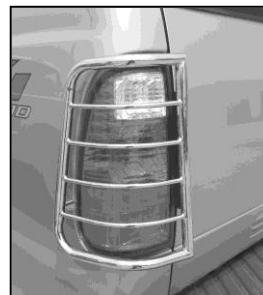
97-03, (04 HERITAGE) FORD F-150, F-250LD

99-11 SUPER DUTY

PART#T102097

PARTS LIST:

1	Driver/Left Taillight Guard
1	Passenger/Right Taillight Guard
2	4-.70mm x 15mm Phillips Screws
2	4mm Lock Washers
2	4mm Flat Washers
2	Support Brackets



PROCEDURE:

1. REMOVE CONTENTS FROM BOX. VERIFY

ALL PARTS ARE PRESENT. READ INSTRUCTIONS CAREFULLY BEFORE STARTING INSTALLATION.

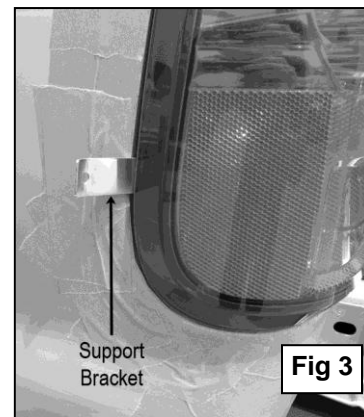
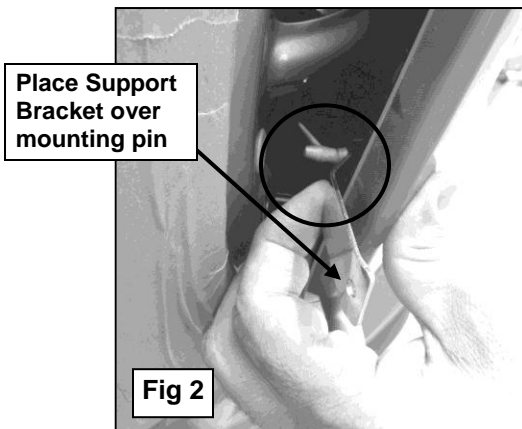
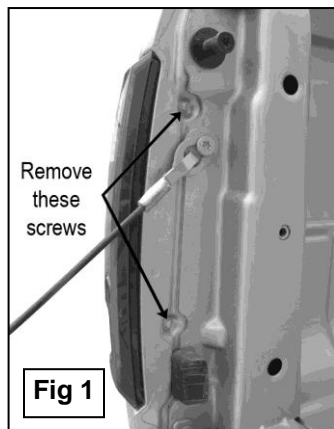
2. **IMPORTANT!** Cover the painted edge around the taillight housing with masking tape to protect the finish of the vehicle when removing the taillight housing and installing the Taillight Guard.
3. Open the tailgate and remove the (2) screws holding the taillight assembly in place, **(Figure 1)**.
4. Firmly grasp the taillight housing with both hands gently pull straight back to release the assembly from the clips.
NOTE: Be sure to pull straight back to avoid possible damage. This is the same procedure required to replace taillight bulbs in the assembly. For more info, see owner's manual on replacing taillight bulbs.
5. Attach one of the Support Brackets to the lower alignment pin located behind the taillight, **(Figure 2)**. Hold the Support Bracket in place and re-install the taillight assembly, **(Figure 3)**. Install only the top screw at this time.
6. Loosen the tailgate bolt, **(Figure 4)**, and slide the slot in the bracket under it and into position, **(Figure 5)**. With the Taillight Guard bracket under the tailgate bolt, line up the lower mounting tab with the screw location for the taillight, **(Figure 6)**. Do not tighten hardware at this time.
7. Attach the Taillight Guard to the Support Bracket using the included (1) 4-.70mm x 15mm Phillips Screw, (1) 4mm Lock Washer, (1) 4mm Flat Washer **(Figure 7)**. **NOTE:** It may be necessary to adjust the Taillight Guard Bracket for fit. If the Guard does not line up properly with the Support Bracket, remove the Taillight Guard and check the gap between the outer corner of the Mounting Bracket and 4mm threaded insert for the Support Bracket, **(Figure 8)**. **This gap should be 7 to 7-1/8" across.** Gently and evenly bend the Mounting Bracket by hand if necessary.
8. Align and center Taillight Guard and tighten all hardware.
9. Repeat steps 2-8 to mount the opposite side Taillight Guard.
10. Do periodic inspections to the installation to make sure that all hardware is secure and tight.

To protect your investment, wax this product after installing. Regular waxing is recommended to add a protective layer over the finish. Do not use any type of polish or wax that may contain abrasives that could damage the finish.

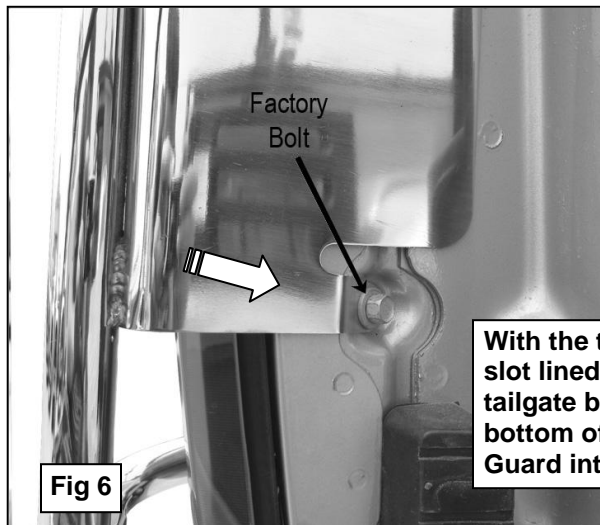
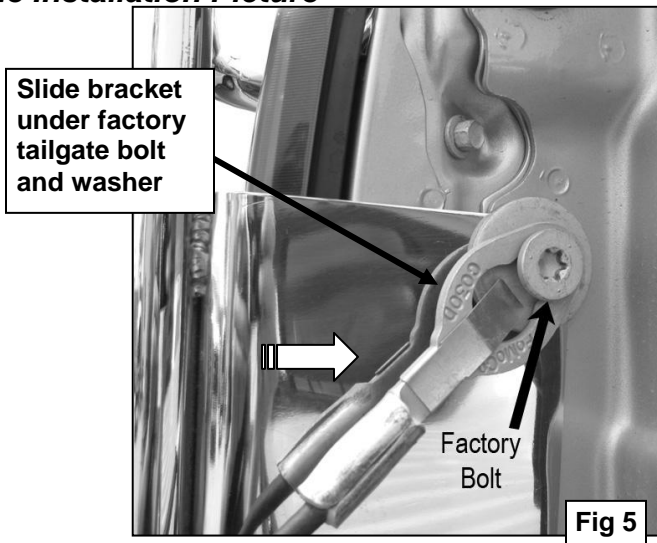
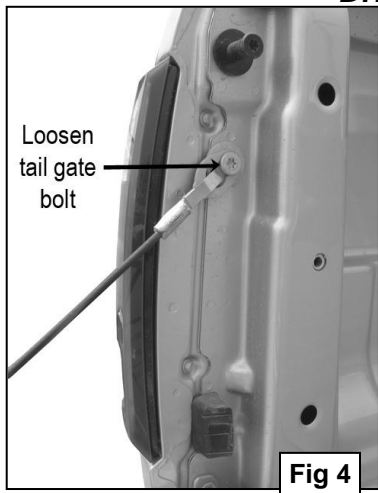
For stainless steel: Aluminum polish may be used to polish small scratches and scuffs on the finish. Mild soap may be used also to clean the Taillight Guard.

For gloss black finishes: Mild soap may be used to clean the Taillight Guard.

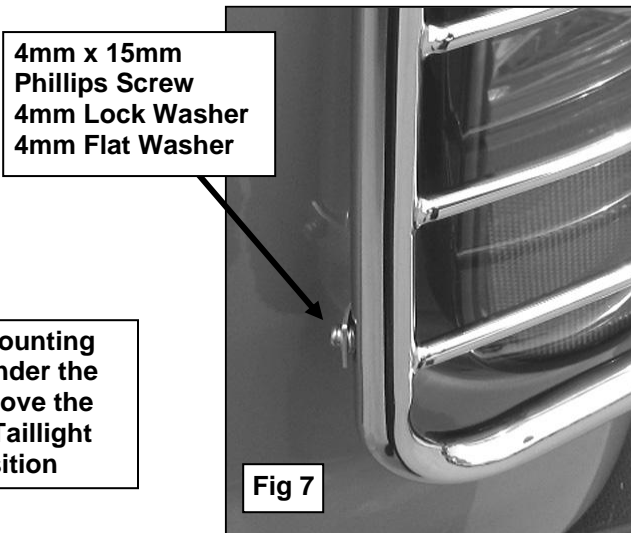
Driver Side Installation Pictured



Driver Side Installation Picture

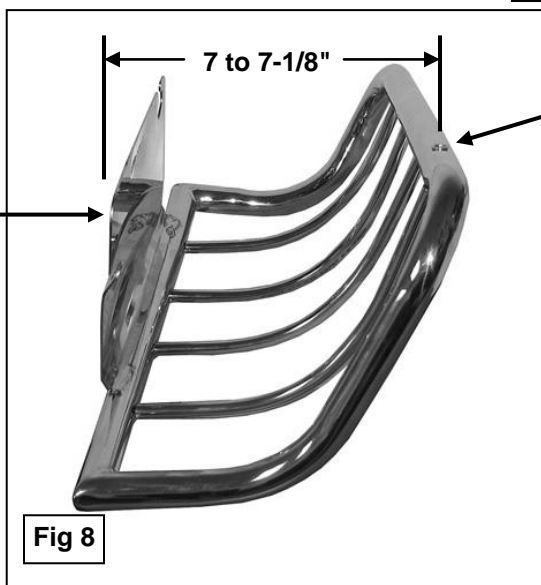


With the top mounting slot lined up under the tailgate bolt, move the bottom of the Taillight Guard into position



If necessary, gently and evenly bend the mounting bracket into the proper position

Measured from corner of mounting bracket to...



...center of threaded insert for Support Bracket

Driver side, bottom view pictured