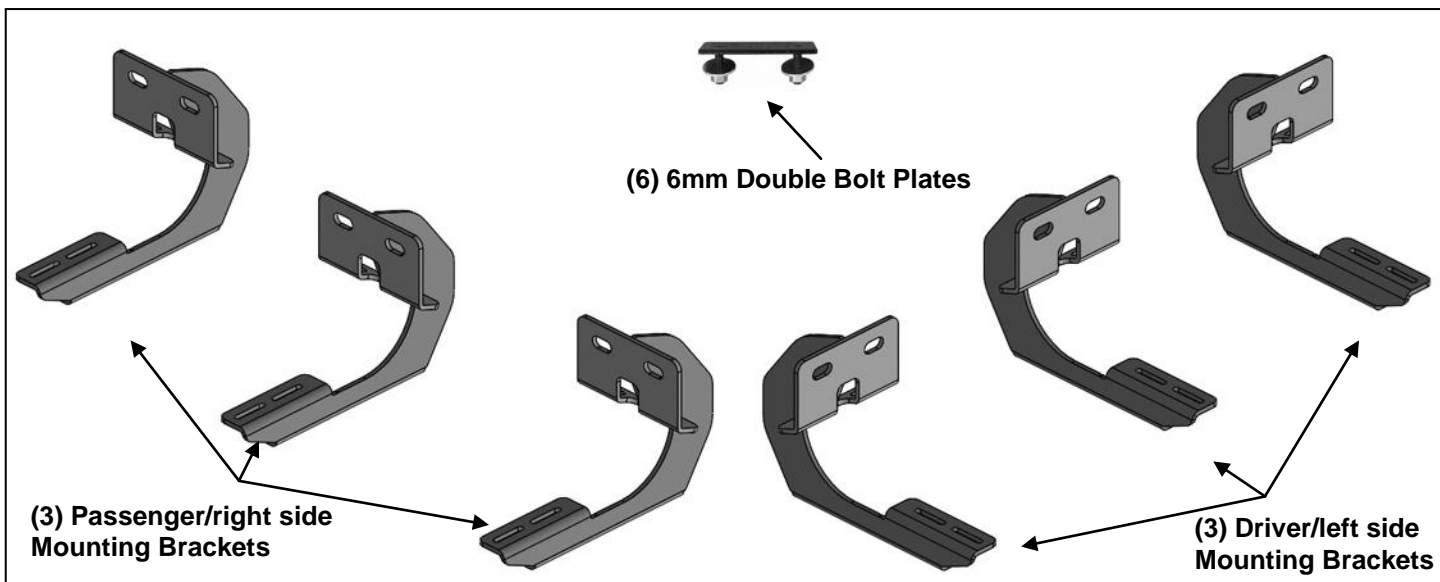


PARTS LIST:

T527816-B

| | | | |
|----|--|----|----------------------------------|
| 2 | HD Steel Running Boards | 12 | 8mm x 24mm x 2mm Flat Washers |
| 3 | Driver/left side Mounting Brackets | 24 | 8mm Lock Washers |
| 3 | Passenger/right side Mounting Brackets | 12 | 8-1.25mm Hex Nuts |
| 12 | 8mm Deep Clip Nuts | 6 | 6mm Double Bolt Plates |
| 12 | 8-1.25mm x 30mm Hex Bolts | 12 | 6mm x 22mm OD x 2mm Flat Washers |
| 12 | 8-1.25mm x 25mm Hex Bolts | 12 | 6mm Lock Washers |
| 12 | 8mm x 28mm x 3mm Large Flat Washers | 12 | 6mm Hex Nuts |



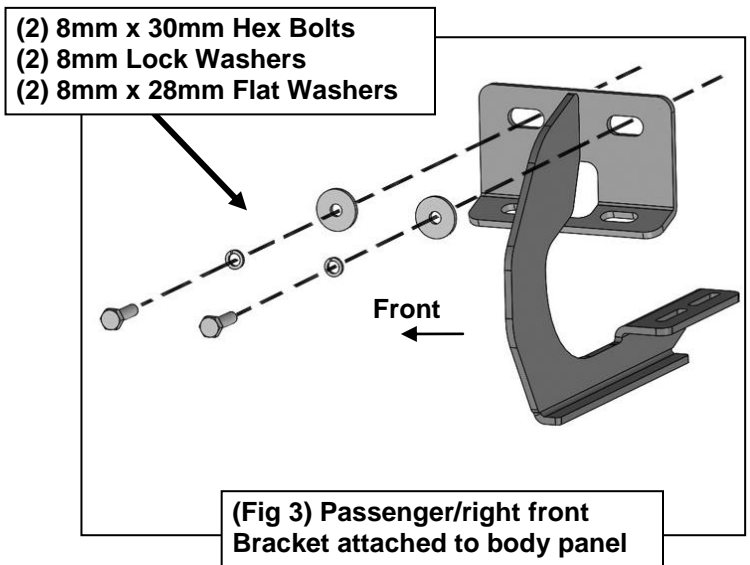
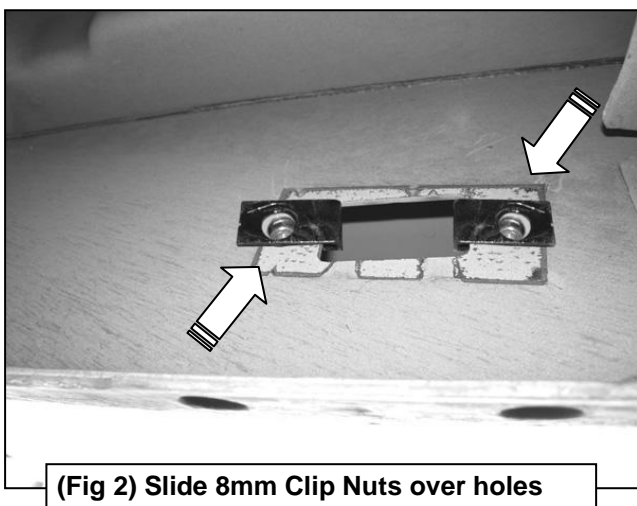
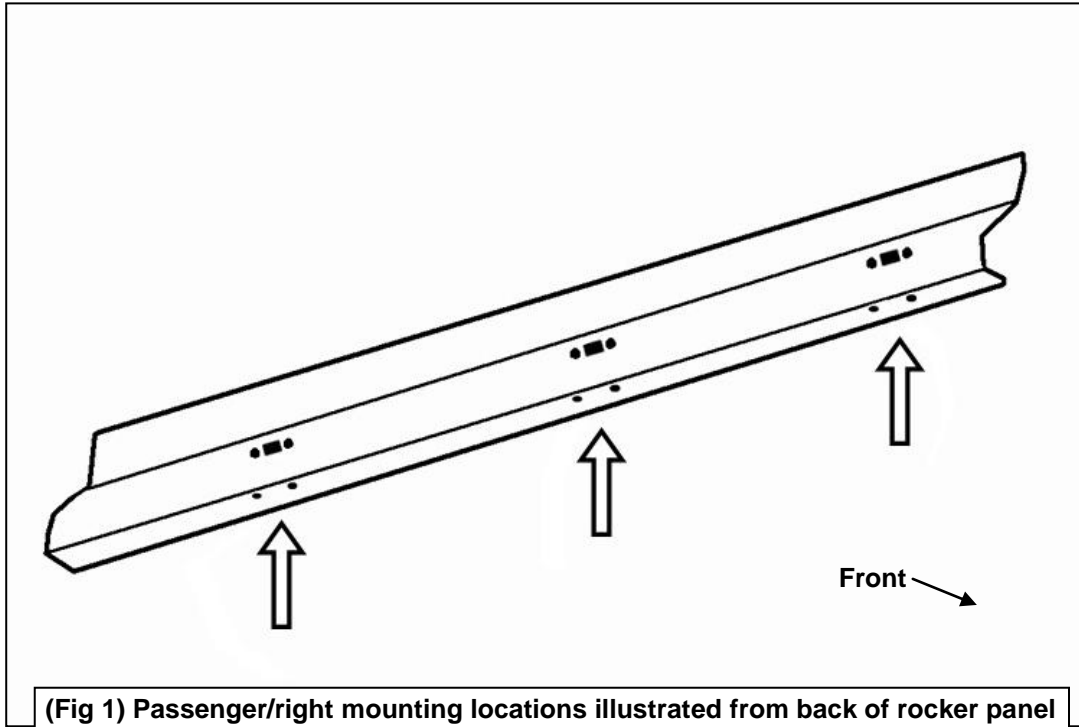
PROCEDURE:

- 1. REMOVE CONTENTS FROM BOX. VERIFY ALL PARTS ARE PRESENT. READ INSTRUCTIONS CAREFULLY BEFORE STARTING INSTALLATION.**
- Starting on the passenger side front of the vehicle, locate the (2) holes in the bottom of the body panel, (through pinch weld). Next locate the rectangular opening and (2) small holes in the inner body panel directly above the holes in the pinch weld, **(Figures 1 & 2)**. **NOTE:** The holes in the inner panel may be covered with sealing tape or insulation.
- Slide (2) 8mm Clip Nut into the rectangular opening with the nut towards the inside. Line up the threaded nuts on the clip with the round holes toward the front of the vehicle, **(Figure 2)**. **NOTE:** If necessary, hold a mounting Bracket up in position to determine correct factory mounting holes to use.
- Select (1) Passenger/right side Mounting Bracket. Attach the Bracket to the (2) Clip Nuts with the included (2) 8mm x 30mm Hex Bolts, (2) 8mm Lock Washers and (2) 8mm x 28mm Large Flat Washers, **(Figure 3)**. Depending on model and year, the brake cable may be run on the inside or outside of the Bracket. Do not tighten hardware at this time.
- Align the bottom holes in the front Bracket with the (2) holes in the pinch weld. Attach the Bracket to the pinch weld using the included (2) 8mm x 25mm Hex Bolts, (4) 8mm x 24mm Small Flat Washers, (2) 8mm Lock Washers and (2) 8mm Hex Nuts, **(Figures 4 & 5)**. **NOTE:** Insert the bolts up from the bottom of the pinch weld and through the Bracket.
- Next, move toward the center of the vehicle, **(Figure 1)**. Repeat **Steps 2—5** for center Bracket installation, **(Figure 6)**. Do not tighten hardware at this time.
- Continue along the cab to the rear mounting location and locate the last (2) mounting holes in the pinch weld at the back of the cab, **(Figure 1)**. Repeat **Steps 2—5** for rear Bracket installation, **(Figure 7)**.
- Carefully unwrap and select (1) Running Board. Place the Running Board on top of the Brackets.
- Select (3) 6mm Double Bolt Plates, **(Figure 8)**. Locate the channels in the bottom of the Running Board. Insert the Bolt Plates into the channels closest to the Brackets **(Figure 9)**. Lift the Running Board up and guide the studs down through the Brackets. **NOTE:** The Running Board is designed to fit close to the vehicle. It may be necessary to loosen the Bracket hardware and tilt the Brackets downward to insert the Running Board between the Brackets and the body.

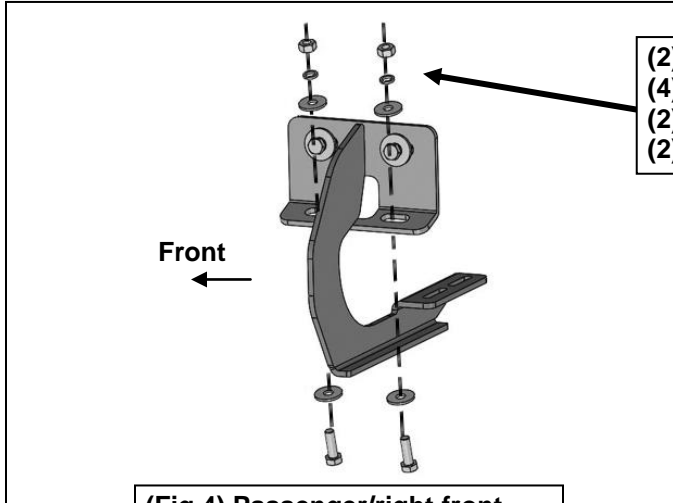
10. Attach the Running Board to the Brackets with (6) 6mm Flat Washers, (6) 6mm Lock Washers and (6) 6mm Hex Nuts, (**Figures 10 & 11**). Do not tighten hardware at this time.
11. Level and adjust the Running Board as desired and tighten all hardware.
12. Repeat **Steps 2—10** for the passenger side Running Board installation.
13. Do periodic inspections to the installation to make sure that all hardware is secure and tight.

To protect your investment, wax this product after installing. Regular waxing is recommended to add a protective layer over the finish. Do not use any type of polish or wax that may contain abrasives that could damage the finish.
For black powder coated finishes: Mild soap may be used to clean the Running Board.

Passenger Side Installation Pictured

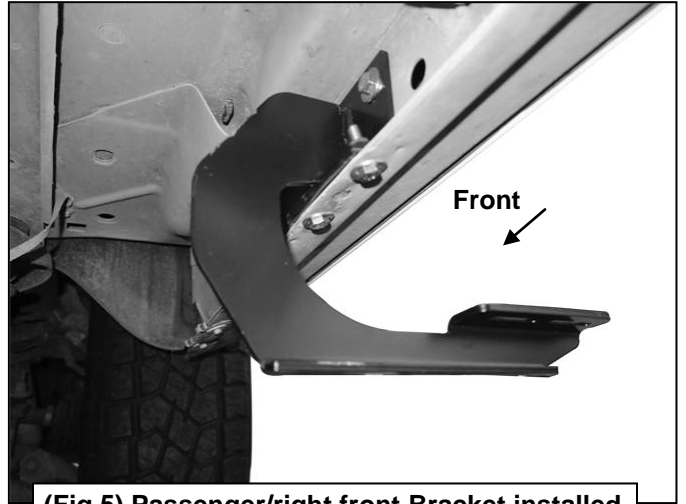


Passenger Side Installation Pictured

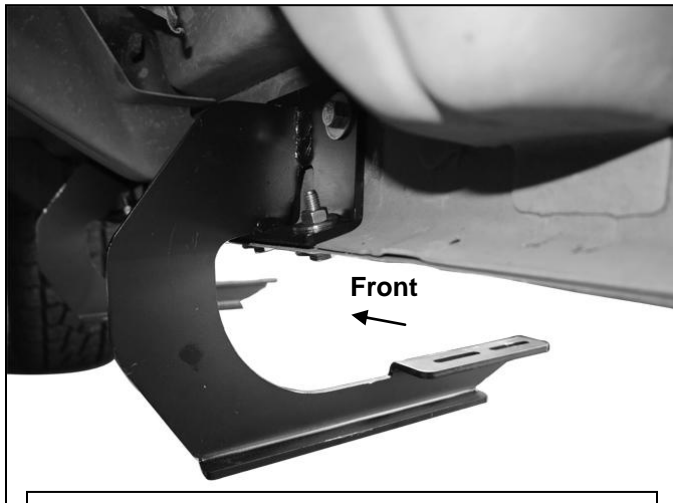


- (2) 8mm x 25mm Hex Bolts
- (4) 8mm x 24mm Small Flat Washers
- (2) 8mm Lock Washers
- (2) 8mm Hex Nuts

(Fig 4) Passenger/right front Bracket attached to pinch weld



(Fig 5) Passenger/right front Bracket installed



(Fig 6) Passenger/right center Bracket installed

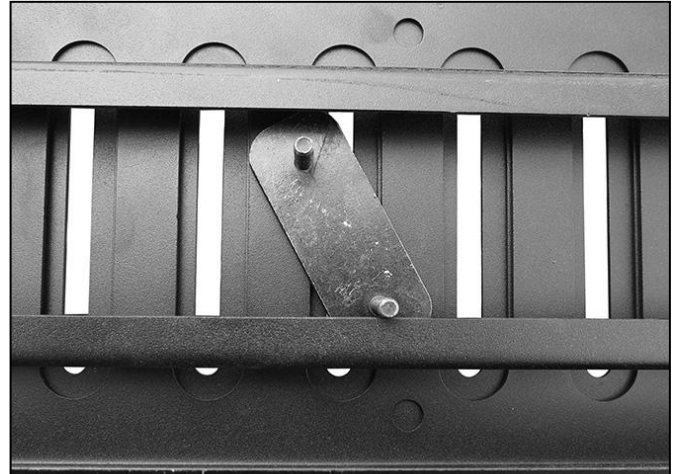


(Fig 7) Passenger/right rear Bracket installed

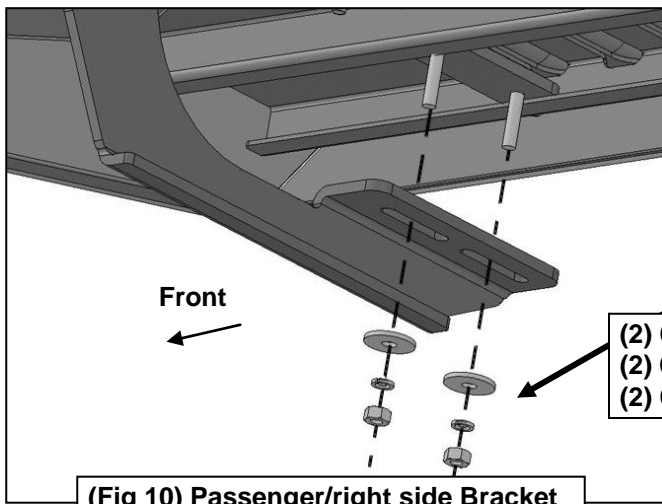
Passenger Side Installation Pictured



(Fig 8) 6mm Double Bolt Plate



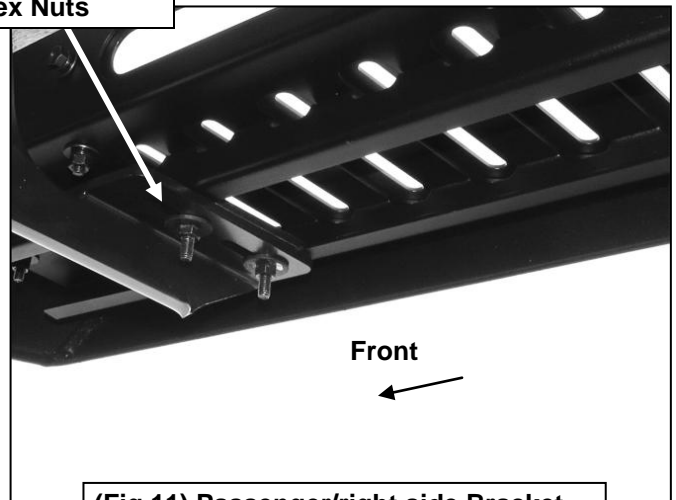
(Fig 9) Slide 6mm Double Bolt Plate into channels



Front

- (2) 6mm Flat Washers
- (2) 6mm Lock Washers
- (2) 6mm Hex Nuts

(Fig 10) Passenger/right side Bracket attached to Running Board illustrated



Front

(Fig 11) Passenger/right side Bracket attached to Running Board



Complete Installation