

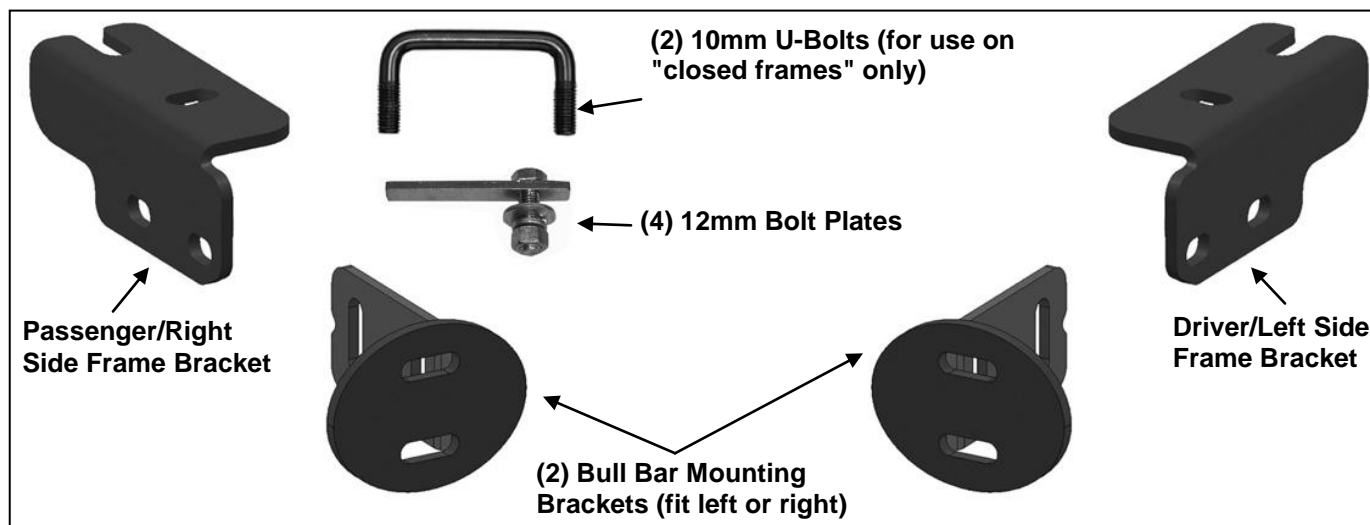
3-1/2" OVAL BULL BAR
04-18 F-150, 03-17 EXPEDITION, 07-08 LINCOLN MK-LT
(EXCL. HERITAGE EDITION AND 10-14 F150 RAPTOR MODELS)

Installation Instructions

**Barricade 3.5 in. Bull Bar w/ Skid Plate & 20 in. Dual Row LED Light Bar – Black
(Polished) (04-18 F150)
Part# T532120 T532121**

PARTS LIST:

1	3.5in Oval Bull Bar Assembly	2	10mm U-Bolt (for use on "closed frames" only)
1	Driver side Frame Bracket	4	10-1.50mm x 35mm Hex Bolts
1	Passenger Side Frame Bracket	12	10mm x 27mm OD x 3mm Flat Washers
2	Bull Bar Mounting Brackets	8	10-1.50mm Nylon Lock Nuts
1	20" LED Light Bar	4	8-1.25mm x 35mm Hex Bolts
4	12mm x 40mm Bolt Plates	2	8mm x 16mm Hex Bolts
4	12mm Plastic Retainers	2	8mm x 24mm x 2mm Flat Washers
4	12mm x 32mm OD x 3mm Flat Washer	4	8mm x 22mm x 2mm Small Flat Washers
4	12mm Lock Washers	6	8mm Lock Washers
4	12-1.75mm Hex Nuts		



PROCEDURE:

REMOVE CONTENTS FROM BOX. VERIFY ALL PARTS ARE PRESENT. READ INSTRUCTIONS CAREFULLY BEFORE STARTING INSTALLATION. CUTTING MAY BE REQUIRED. ASSISTANCE IS RECOMMENDED. NOTE: It may be necessary to remove/relocate the front license plate and license plate bracket. It is not required, but strongly recommended. If local/state law requires a license plate, license plate relocation kit is available.

1. Determine if the vehicle is equipped with tow hooks, **(Figure 1)**.

Vehicles with Factory Tow Hooks

- a. Remove the driver/left tow hook by removing the front bolt and only loosening the rear bolt, **(Figure 2)**. Slide the tow hook off. Leave the rear hex bolt in place to hold the factory double nut plate in the frame and aligned with the holes. **NOTE:** Tow hooks cannot be reinstalled.
- b. Select the driver side Frame Bracket, **(Figure 3)**. Position the Bracket up to the bottom of the frame. Reuse the tow hook hardware to attach the Bracket to the bottom of the frame and factory double nut plate, **(Figure 4)**. Do not tighten hardware at this time.
- c. Repeat to install the passenger side Frame Bracket.
- d. Proceed to **Step 2**.

All vehicles without Tow Hooks

Remove the lower plastic portion of the bumper to gain access to the ends of the frame rails, **(Figure 5)**. The lower bumper or splash guard will need to be cut out to allow the Mounting Brackets and end of Bull Bar to pass through, **(See Step 4)**. On some models, access to the mounting hardware is limited. For access, first remove the plastic bumper cover from each side of the opening and in the center of the bumper, **(Figure 6)**.

Vehicles without Tow Hooks and open end of frame

- a. Select (1) 12mm Bolt Plate, **(Figure 7)**. Insert the Bolt Plate into the open end of the frame and down through the rear hole in the bottom of the frame, **(Figure 8)**. Thread (1) 12mm Flat Washer, (1) 12mm Lock Washer and (1) 12mm Hex Nut onto the Bolt Plate.
- b. Slide the slotted end of the driver side Bracket under the Nut and Washers.
- c. Insert (1) 12mm Bolt Plate through the remaining hole toward the front of the Mounting Bracket. Secure the Bracket to the forward Bolt Plate with (1) 12mm Flat Washer, (1) 12mm Lock Washer and (1) 12mm Hex Nut, **(Figure 8)**. Do not tighten the hardware.
- e. Repeat to install the passenger side Frame Bracket.
- f. Proceed to **Step 2**.

Vehicles without Tow Hooks, closed end of frame

- a. Locate the two holes in the bottom of the frame. Insert (1) 10mm U-Bolt into one hole and out the other, **(Figures 9 & 10)**.
 - b. Attach the driver/left Frame Bracket to the U-Bolt with (2) 10mm Flat Washers and (2) 10mm Nylon Lock Nuts, **(Figure 11)**.
 - c. Snug but do not tighten the hardware.
 - d. Repeat to install the passenger side Frame Bracket.
- 2. Center LED Light Installation, (LED Light Bar Included):**
- a. Attach the LED Light Bar to the back of the Bull Bar using the included (2) 8mm x 16mm Hex Bolts, (2) 8mm Lock Washers and (2) 8mm x 24mm Flat Washers, **(Figure 12)**.
- 3.** Next, carefully unwrap the Bull Bar. Select (1) Bull Bar Mounting Bracket, **(Figure 13)**. Attach the Bracket to the end of the Bull Bar with (2) 8mm x 35mm Hex Bolts, (2) 8mm Lock Washers and (2) 8mm x 22mm Small Flat Washers. Center the mounting flange on the Bracket with the end of the tube on the Bull Bar. Snug but do not tighten hardware. Repeat this Step to install the passenger side Mounting Bracket.
- 4.** With assistance, line up the mounting tabs on the Bull Bar with the inside of the (2) previously installed Frame Brackets. Attach the Bull Bar to the Frame Brackets with the included (4) 10mm x 35mm Hex Bolts, (8) 10mm Flat Washers and (4) 10mm Nylon Lock Nuts, **(Figures 14 & 15)**. Snug but do not tighten hardware at this time.
- 5.** Level and adjust the Bull Bar properly and fully tighten all hardware.

Models without openings in lower bumper or splash guard for tow hooks.

- a. Hold the cover up to the bottom of the bumper, **(Figure 16)**.
 - b. Trace the location of both Brackets onto the back of the cover, **(Figure 16)**.
 - c. Temporarily remove the Bull Bar with attached Tube Brackets only. Do not remove the Frame Brackets.
 - d. Cut openings in the cover to clear the Frame Brackets and end of Bull Bar as necessary, **(Figure 17)**. For best results, start with a small slot and slowly enlarge the opening to clear the Brackets.
 - e. Once cover is properly fit to the Brackets, reinstall the cover and Bull Bar as previously described.
- 6.** Do periodic inspections to the installation to make sure that all hardware is secure and tight.

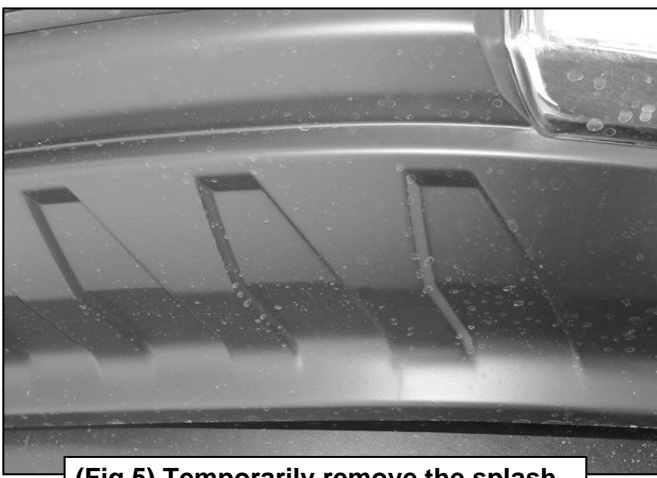
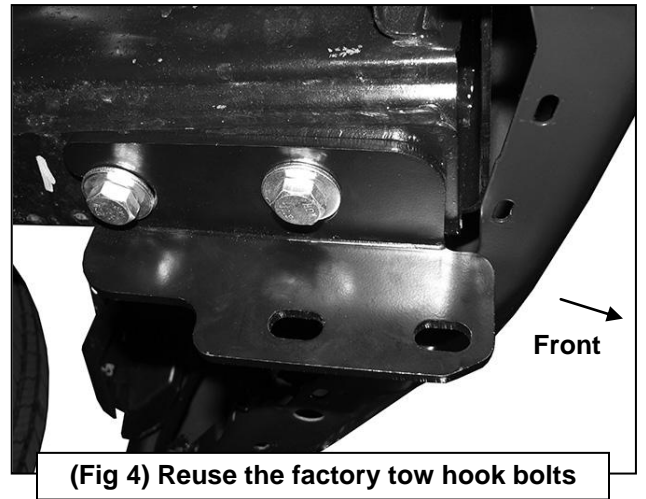
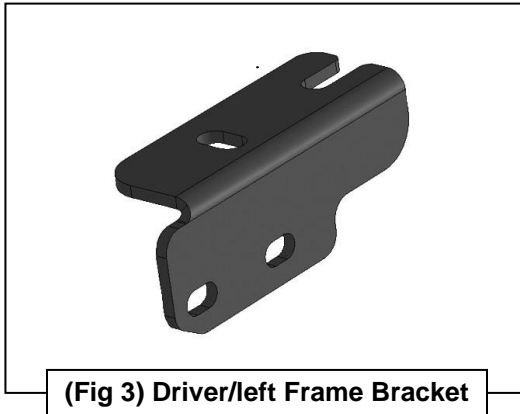
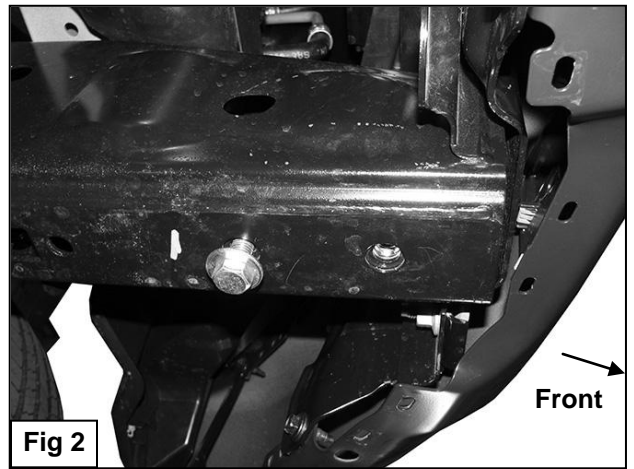
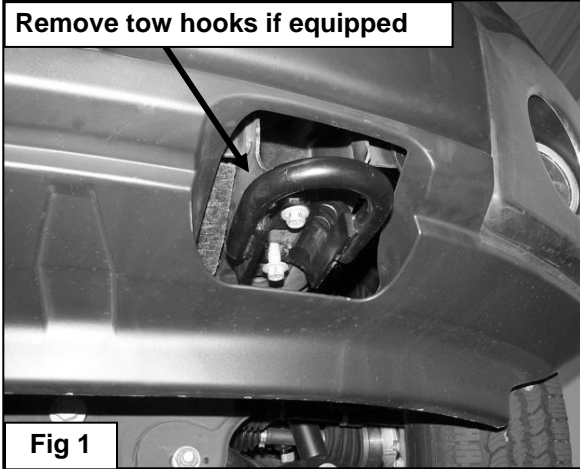
To protect your investment, wax this product after installing. Regular waxing is recommended to add a protective layer over the finish. Do not use any type of polish or wax that may contain abrasives that could damage the finish.

For stainless steel: Aluminum polish may be used to polish small scratches and scuffs on the finish. Mild soap may be used also to clean the Bull Bar.

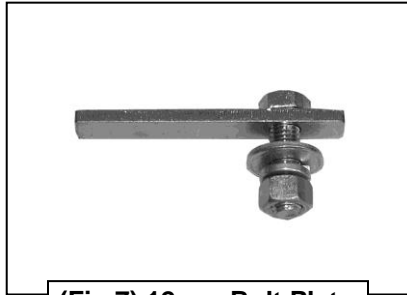
For gloss black finishes: Mild soap may be used to clean the Bull Bar.

Driver Side Installation Pictured

Remove tow hooks if equipped



Driver Side Installation Pictured



(Fig 7) 12mm Bolt Plate

Insert Bolt Plates through open end of frame

- (2) 12mm x 40mm Bolt Plates
- (2) 12mm Lock Washers
- (2) 12mm Flat Washers
- (2) 12mm Hex Nuts

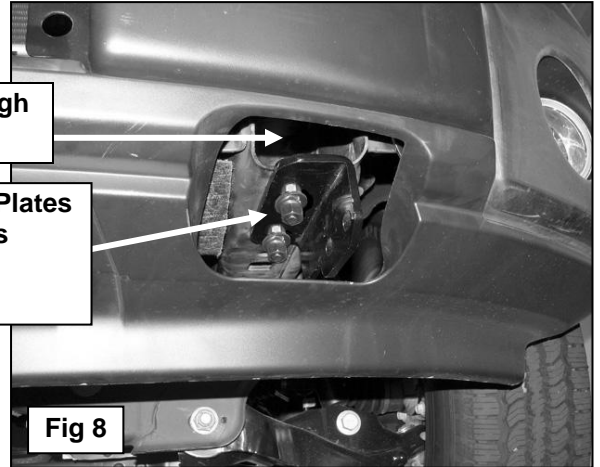
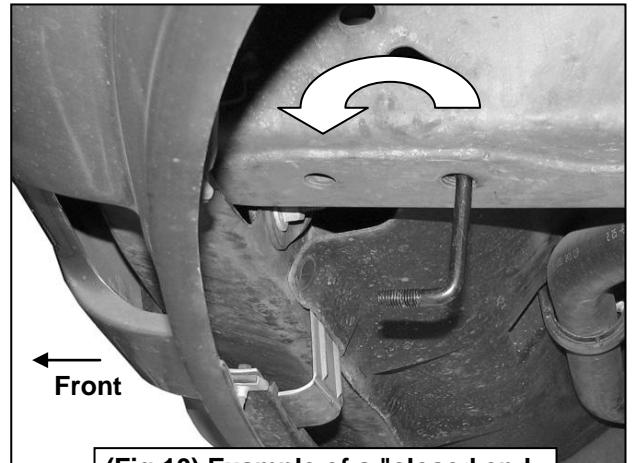


Fig 8



(Fig 9) Insert 10mm U-Bolt into one hole and out the other. (U-Bolt is only used on vehicles with "closed end frames")



Front

(Fig 10) Example of a "closed end of frame" installation pictured

- 10mm U-Bolt
- (2) 10mm Flat Washers
- (2) 10mm Nylon Lock Nuts

Example of a "closed end of frame" pictured

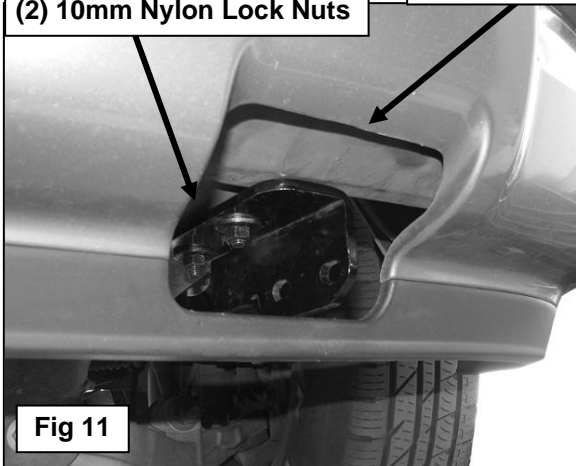
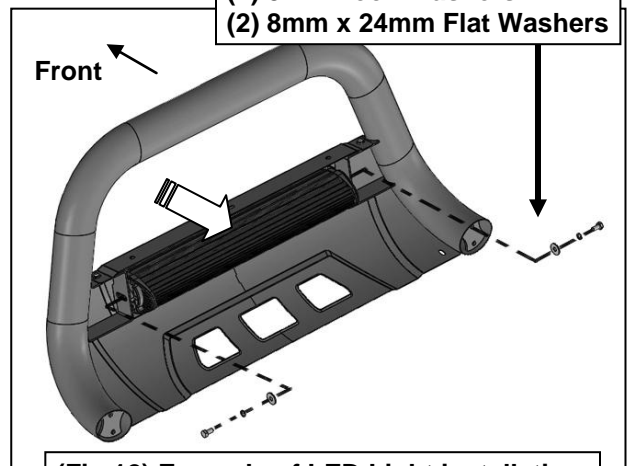


Fig 11

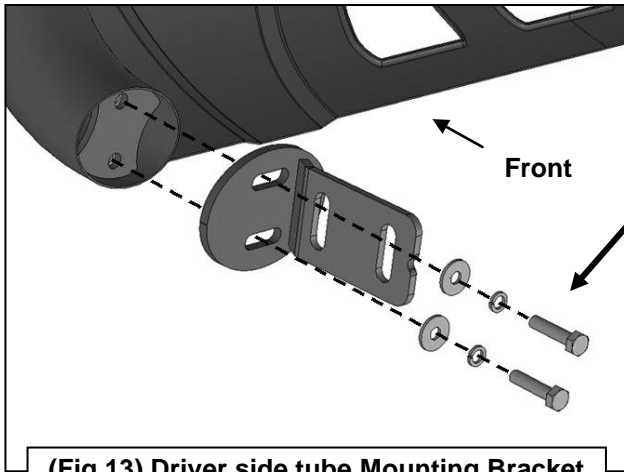
- (2) 8mm x 16mm Hex Bolts
- (2) 8mm Lock Washers
- (2) 8mm x 24mm Flat Washers



Front

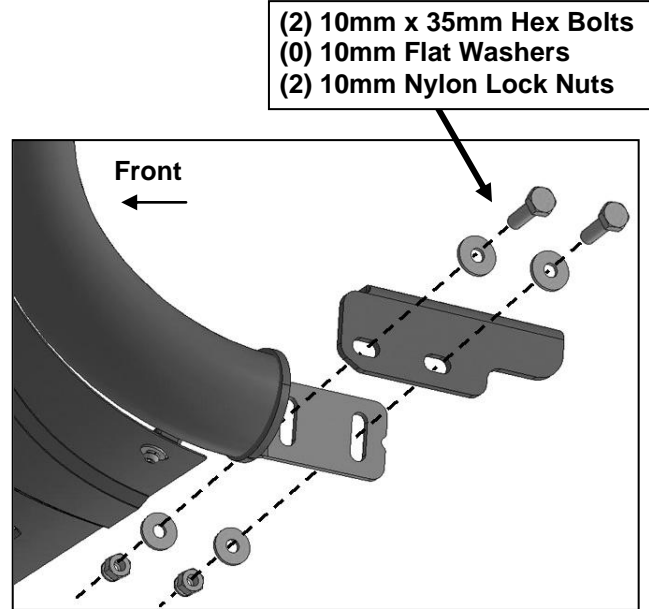
(Fig 12) Example of LED Light installation

Driver Side Installation Pictured



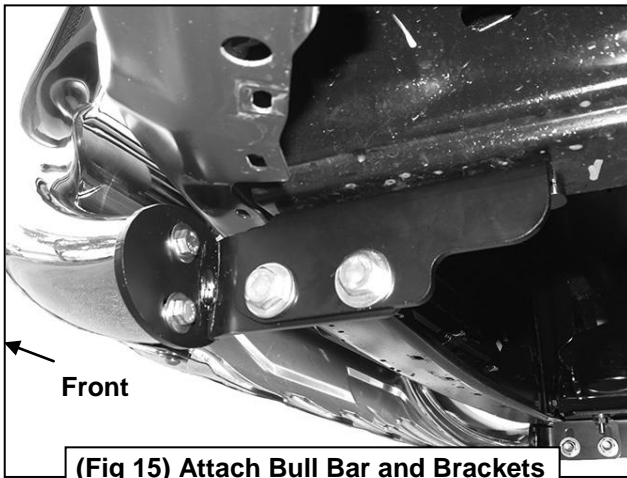
(2) 8mm x 35mm Hex Bolts
 (2) 8mm Lock Washers
 (2) 8mm x 22mm Small Flat Washers

(Fig 13) Driver side tube Mounting Bracket



(2) 10mm x 35mm Hex Bolts
 (0) 10mm Flat Washers
 (2) 10mm Nylon Lock Nuts

(Fig 14) Attach Bull Bar and Brackets to inside of Mounting Brackets



(Fig 15) Attach Bull Bar and Brackets to inside of Mounting Brackets

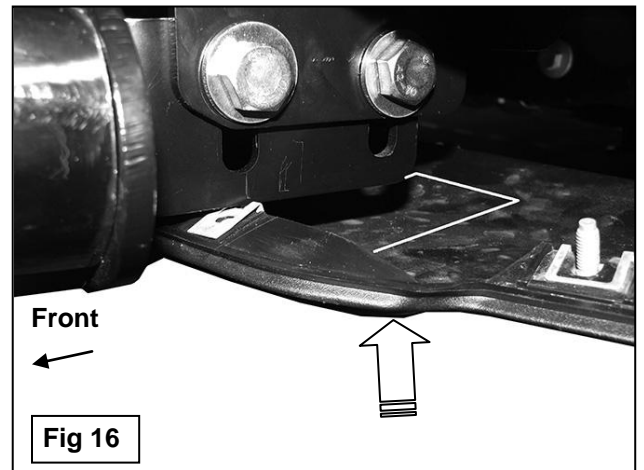
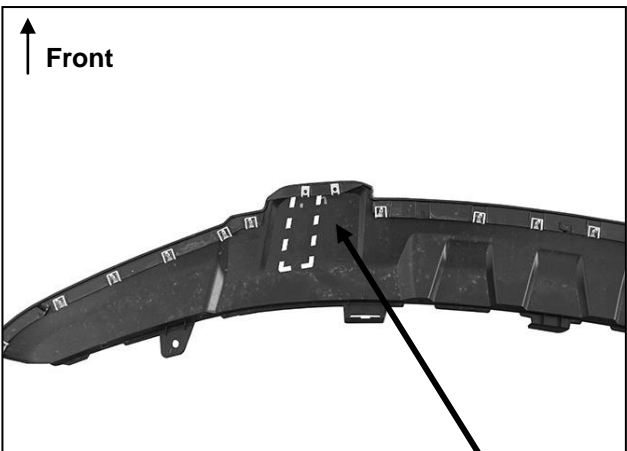


Fig 16

Hold the splash guard up to the bottom of the Brackets. Trace the location of the Brackets onto the inside of the splash guard. Use a sharp knife or hacksaw blade to cut out the plastic cover. Only cut enough to clear the Brackets, do not cut through the front or rear edges of the cover.



(Fig 17) Only cut enough to clear the Brackets, do not cut through the front or rear edges of the cover.