

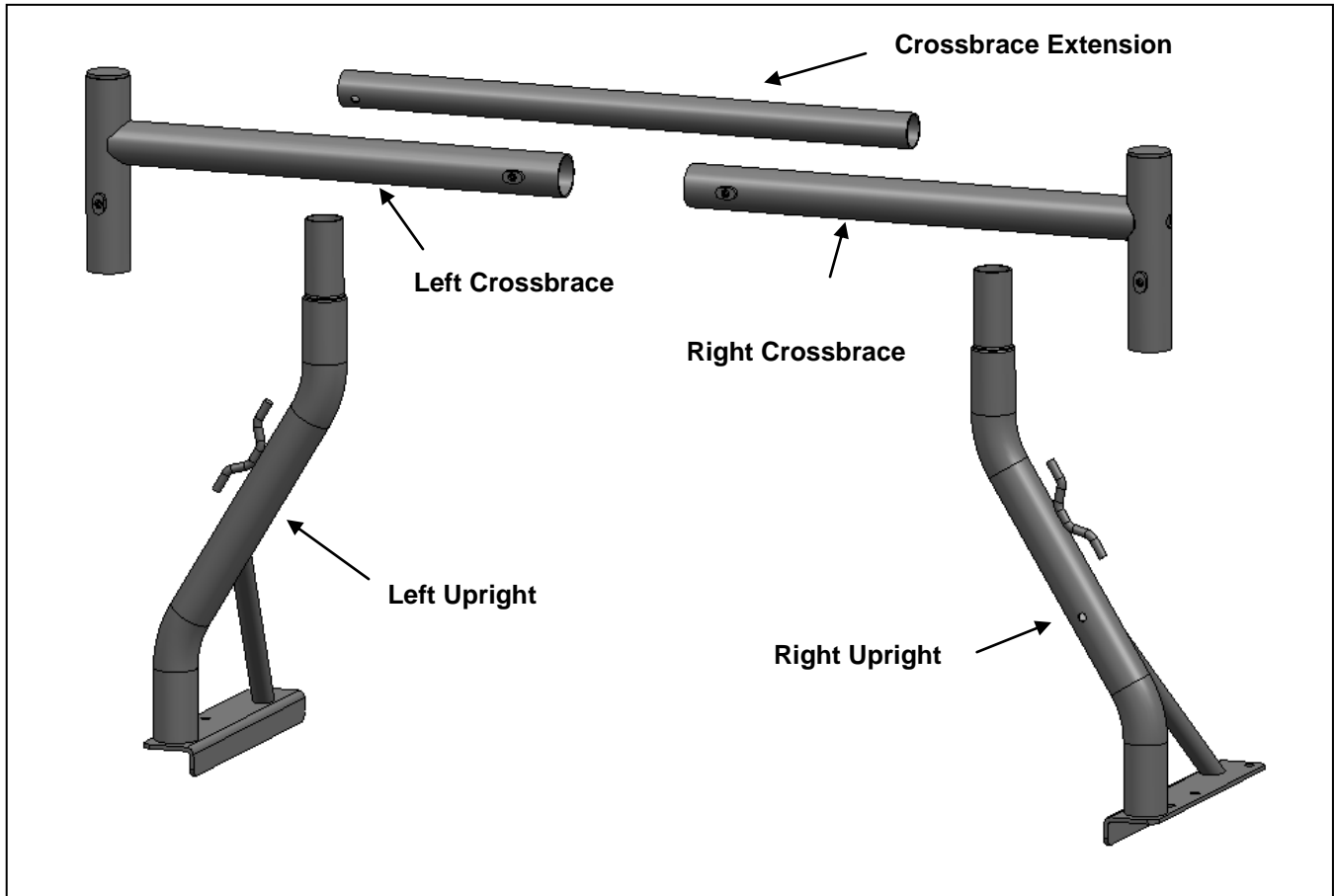
INSTALLATION INSTRUCTIONS

Universal Ladder Rack/Fine Texture Black

PART# T537103

PARTS LIST:

2	Left Upright	8	10mm x 40mm Hex Bolts
2	Right Upright	16	10mm x 20mm OD x 2mm Flat Washers
2	Left Crossbrace	8	10mm Hex Nuts
2	Right Crossbrace	8	10mm x 12mm Allen Head Set Screw
2	Crossbrace Extension	1	5mm Allen Wrench
		1	6mm Allen Wrench



PROCEDURE:

REMOVE CONTENTS FROM BOX. VERIFY ALL PARTS ARE PRESENT. READ INSTRUCTIONS CAREFULLY BEFORE STARTING INSTALLATION. ASSISTANCE IS RECOMMENDED.

STEP 1

Position the front Mounting Plate of the Upright leg as close to the cab as possible. Locate the pre-drilled hole in the footplate that is furthest from the leg and drill a 10mm hole through the truck bed rail. **(Fig 1)** A second hole for a bolt must be drilled through both the footplate and the truck bed rail as close as possible to the front leg without sacrificing access to the bolt underneath the truck bed rail. This bolt must be accessible in order to put on the washer and nut. Attach the footplate to the truck using 10mm Hex Bolts, 10mm washers and 10mm nuts.

Repeat STEP 1 as you position the remaining Upright leg for this section.

DO NOT over tighten any bolts.

STEP 2

Insert the Crossbrace into the Crossbrace Extension **(Fig 2)** and set the entire assembly on top of the Upright legs. Center the Crossbrace left to right and secure it with the allen head set screws **(Fig 3)** **(Fig 4)**. With the Rack straight and level fully tighten all hardware.

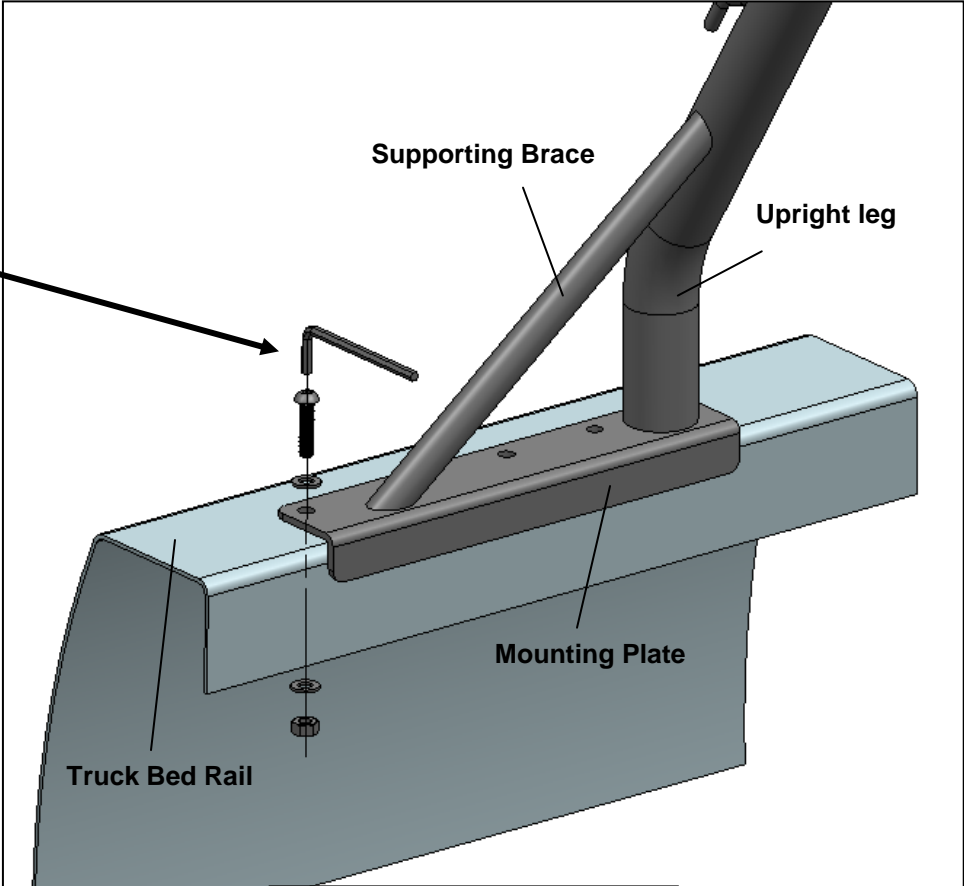
STEP 3

To install the rear portion of the Truck Cargo Rack on the truck bed, repeat the above steps. Before drilling the mounting plate, ensure that the plate does not overhang or interfere with the tail gate.

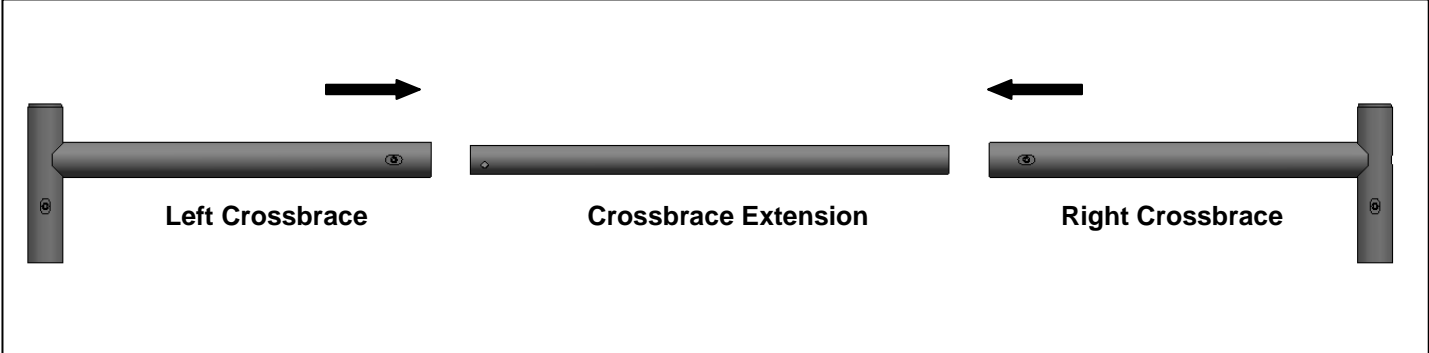
The Truck Cargo Rack is now ready for use.

WARNING: DO NOT EXCEED 500 LB LOAD CAPACITY.

- (1) 10mm x 40mm Hex Bolts
 - (2) 10mm Flat Washers
 - (1) 10mm Hex Nuts
- Tools: 6mm Allen Wrench

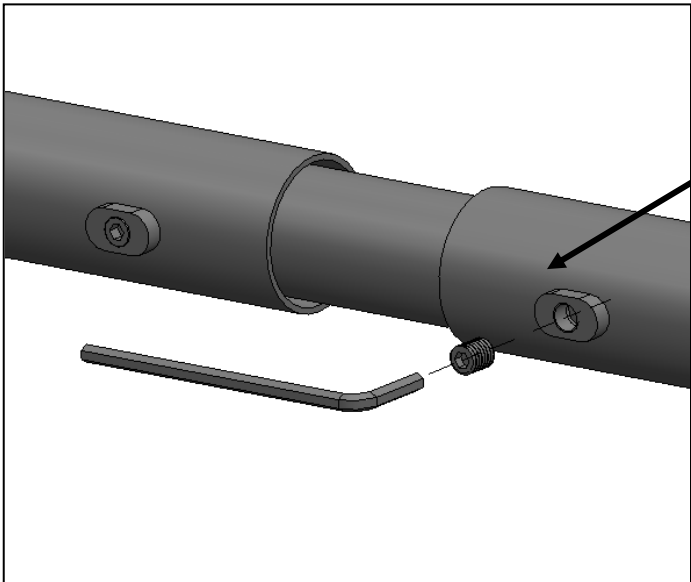


(Fig 1) Mounting the Upright



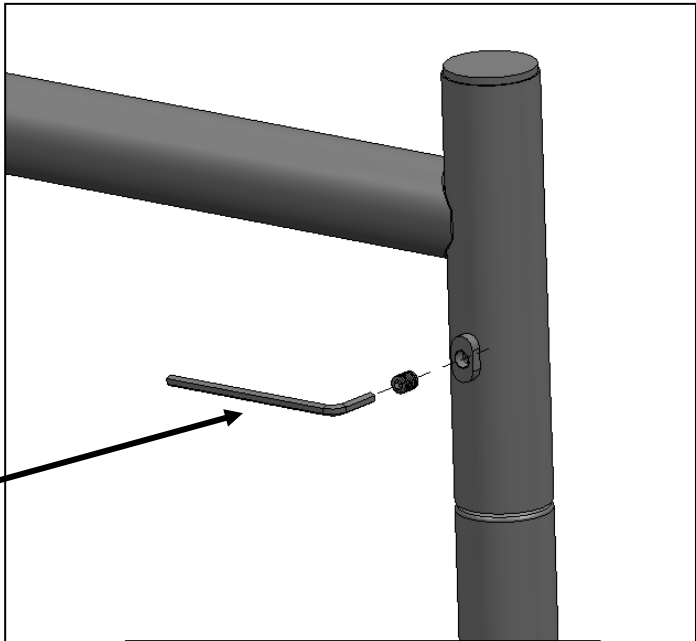
(Fig 2) Insert the Crossbrace into the Crossbrace Extension

TRUCK CARGO RACK



(1) 10mm x 12mm Allen Head Set Screws
Tools: 5mm Allen Wrench

(Fig 3) Tighten the Crossbrace Extension with Allen Head Set Screws



(1) 10mm x 12mm Allen Head Set Screws
Tools: 5mm Allen Wrench

(Fig 4) Tighten the Crossbrace with Allen Head Set Screws



Complete Assembly