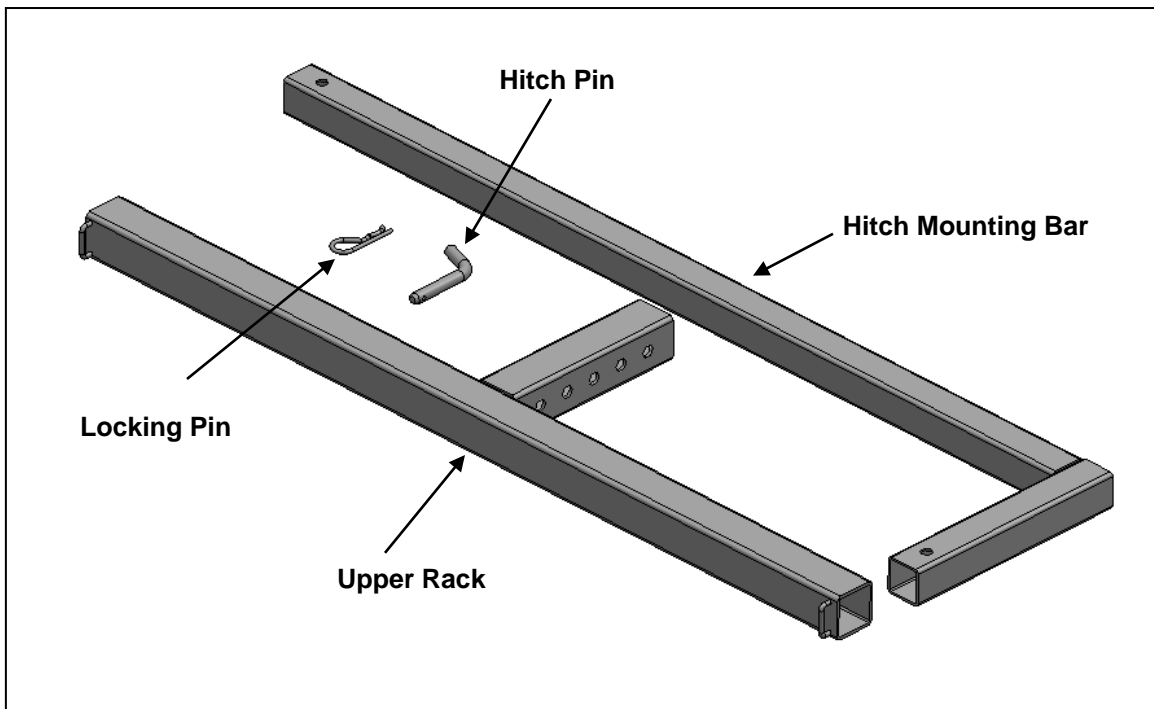


PARTS LIST:

1	Upper Rack	2	Hitch Pins
1	Hitch Mounting Bar	2	Locking Pins
		2	Safety Flag Stickers



PROCEDURE:

REMOVE CONTENTS FROM BOX. VERIFY ALL PARTS ARE PRESENT. READ INSTRUCTIONS CAREFULLY BEFORE STARTING INSTALLATION. ASSISTANCE IS RECOMMENDED.

STEP 1

Place the Hitch Mounting Bar horizontal or vertical to meet your actually needed. Insert the Hitch Mounting Bar into the Rear Hitch of the vehicle. Lock it with the Hitch Pin**(Fig1)**.

STEP 2

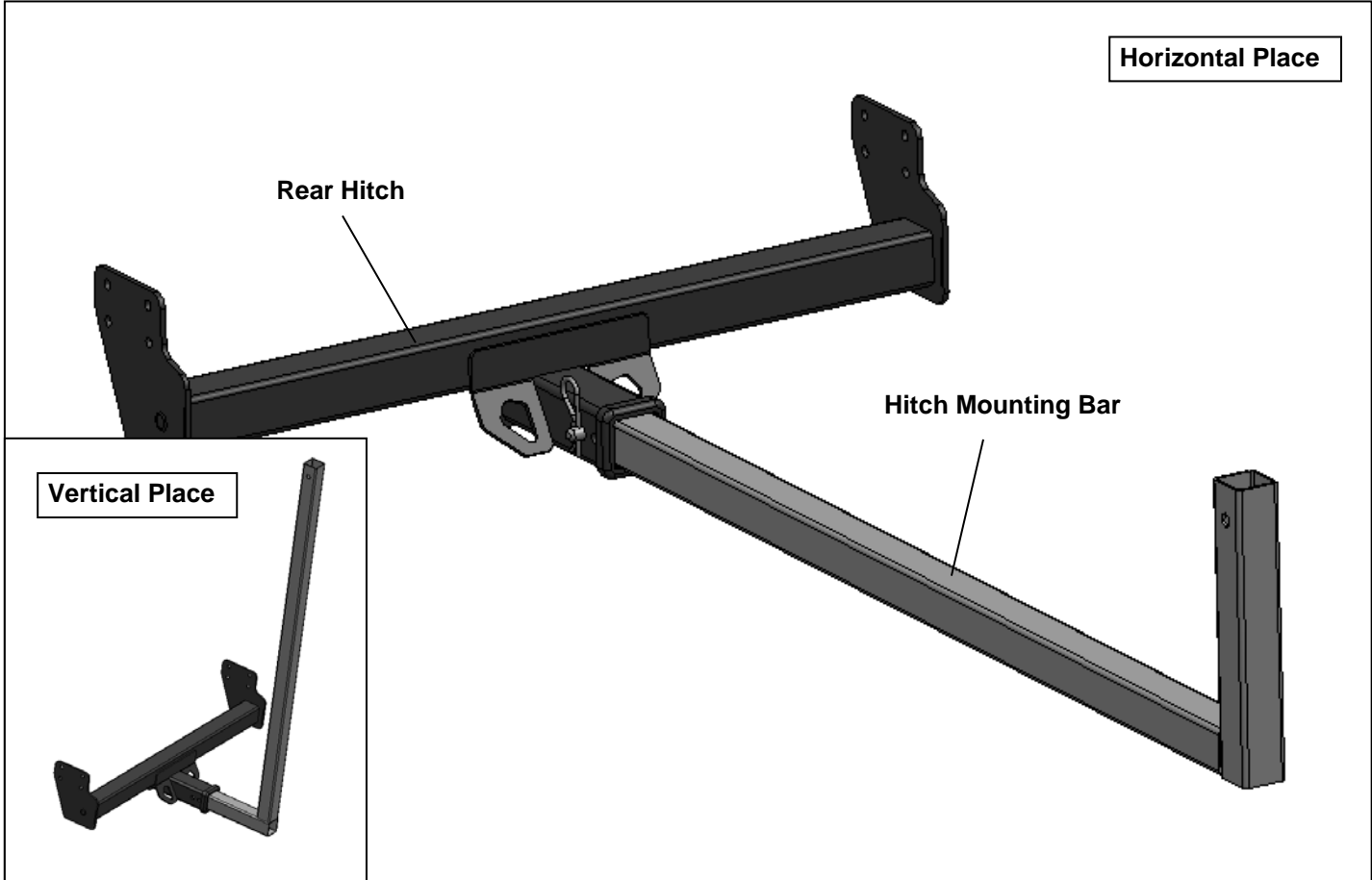
Insert the Upper Rack into the Hitch Mounting Bar. Choose the height of installation according to actual demand. **(Fig 2)**. Lock it with the Hitch Pin.

STEP 3

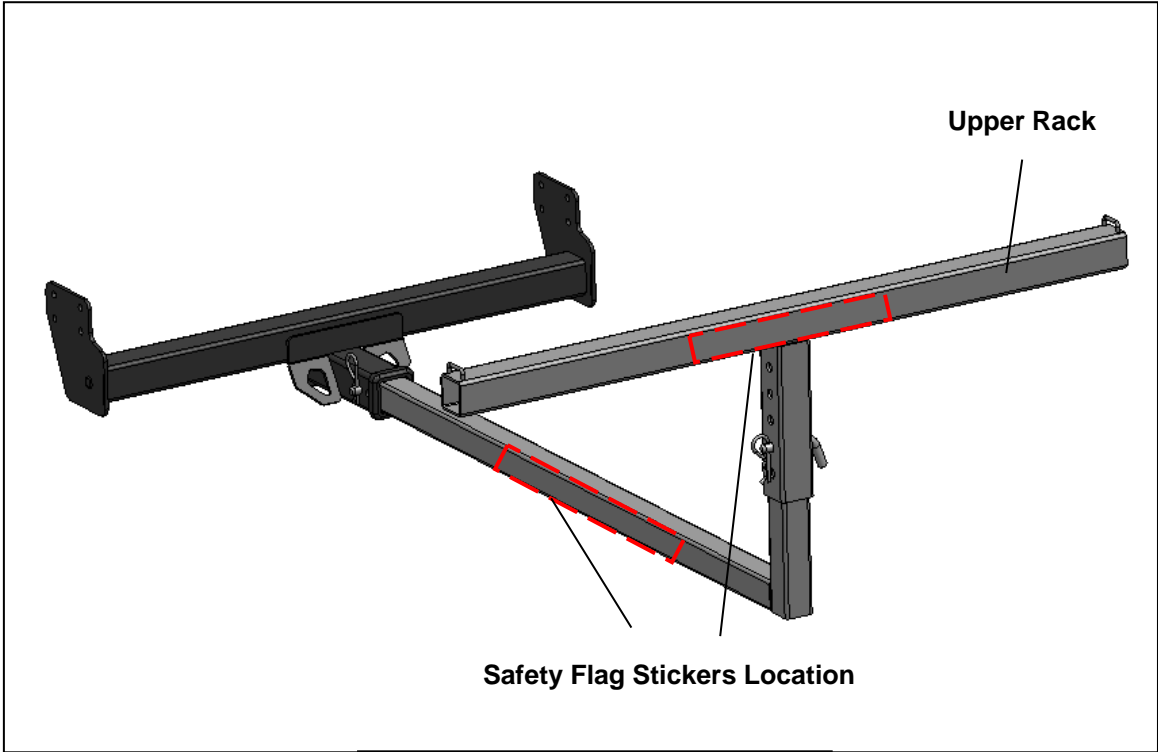
Stick the Safety Flag Stickers to the extender. **(Fig 2)**

WARNING: DO NOT EXCEED 500 LB LOAD CAPACITY.

Horizontal Place



(Fig 1) Insert the Hitch Mounting Bar into the 2" Hitch Receiver



(Fig 2) Insert the Upper Rack into the Hitch Mounting Bar