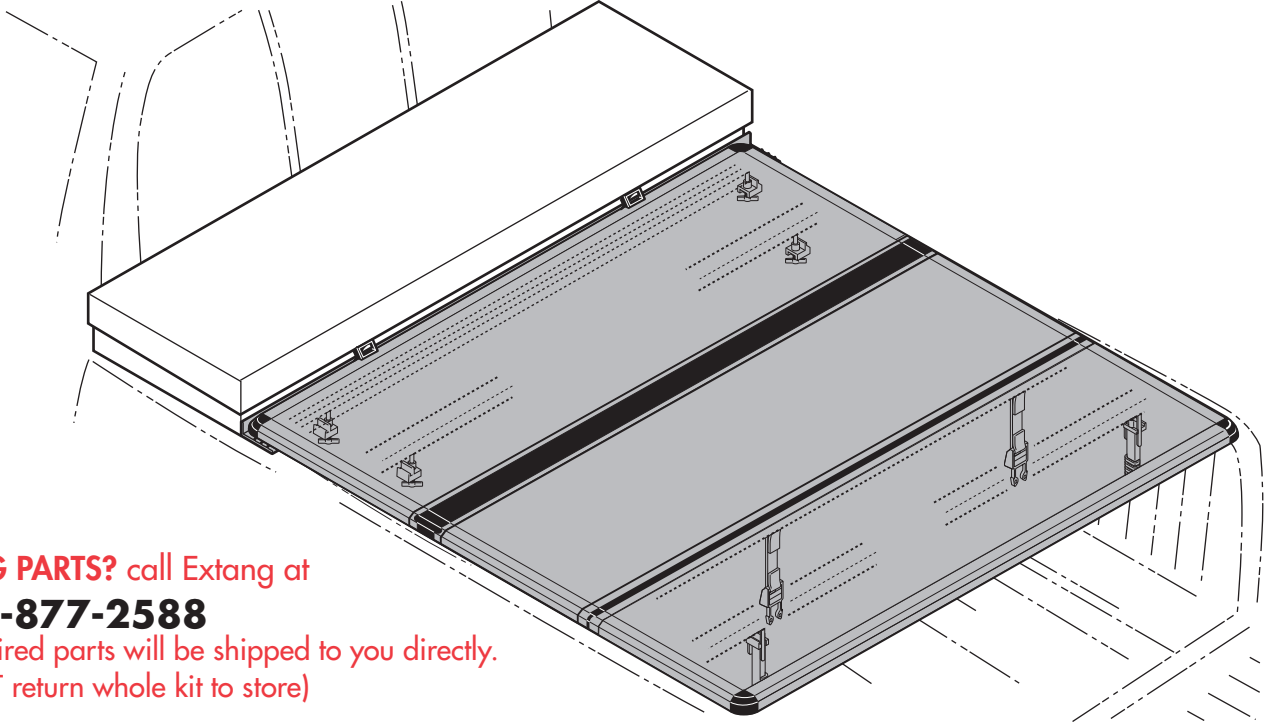


INSTALLATION SHEET

SOLID FOLD 2.0 Tool Box

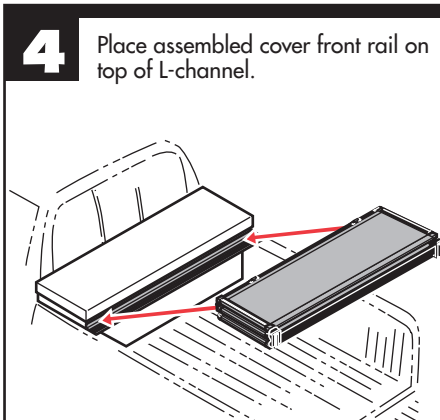
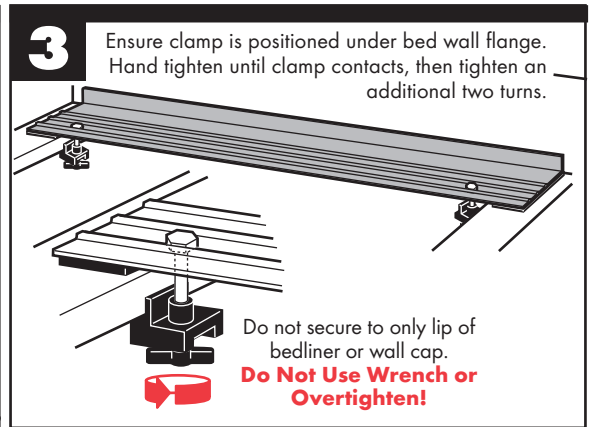
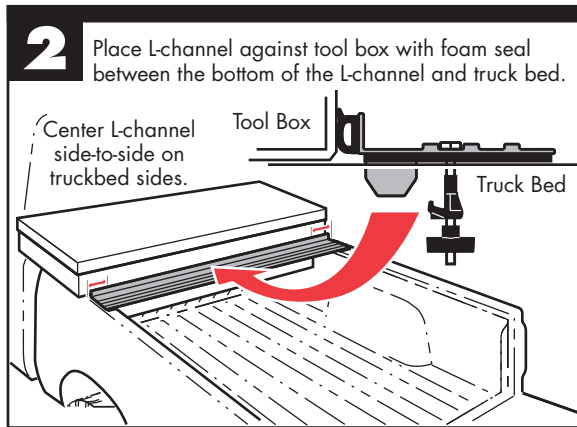
extang
AMERICA'S BEST
SELLING TONNEAUS



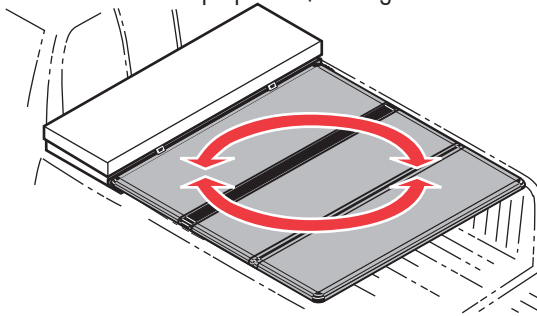
MISSING PARTS? call Extang at

1-800-877-2588

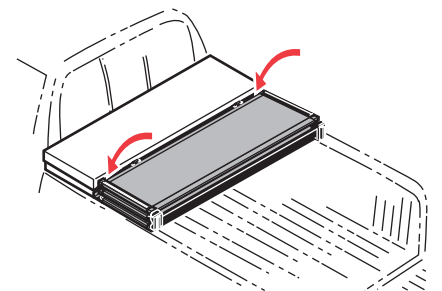
Any required parts will be shipped to you directly.
(DO NOT return whole kit to store)



Center Solid Fold 2.0™ side to side against tool box. Unfold the cover fully and adjust position over the truck bed for proper cab/tail alignment.



Carefully refold the cover without shifting its position on the truck bed.



Extang Corporation
5400 S. State Road
Ann Arbor, MI 48108
734 677-0444, Fax: 734 677-8409



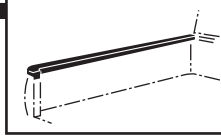
Register your warranty at:

extang.com

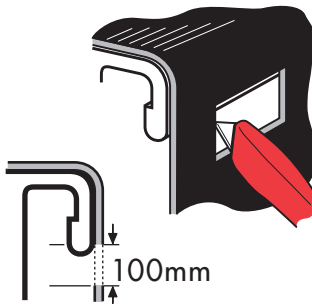
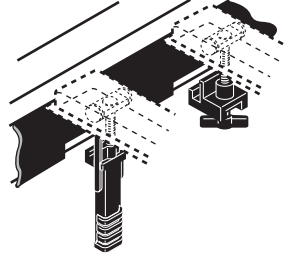
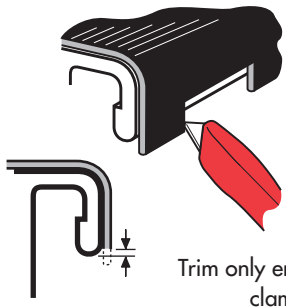
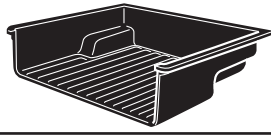
Item No. 84000-30-1602 RH

©Extang Corp., 2016 Printed in U.S.A.

4



If your truck has a bed cap or bedliner that covers the metal bed wall flange, you will need to remove enough so that all the clamps make solid contact.



Trim only enough of the bed cap edge or liner wall so clamp contacts bottom of metal flange.

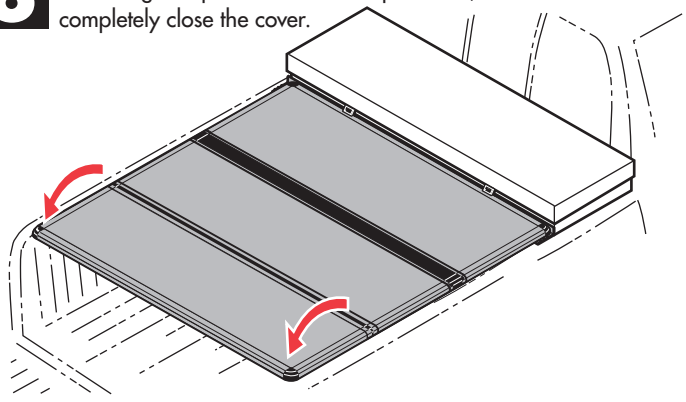
5

Ensure clamp is positioned under bed wall flange. Hand tighten until clamp contacts, tighten an additional two turns.

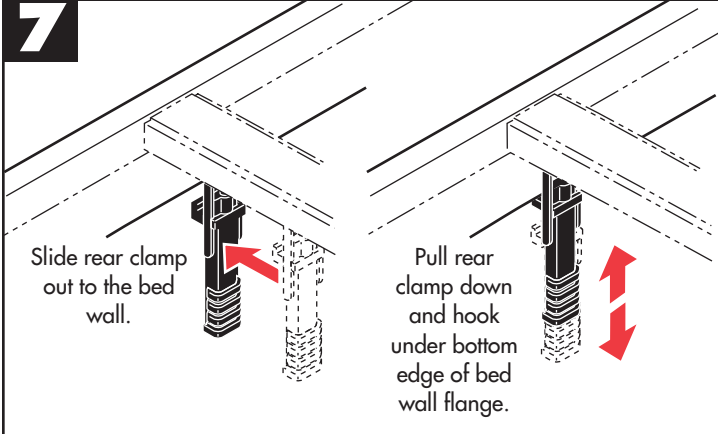


6

With tailgate open and front clamps secure, completely close the cover.



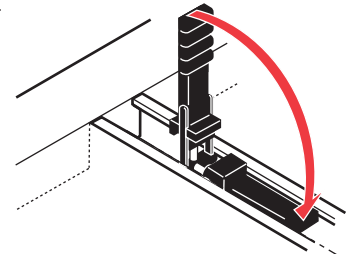
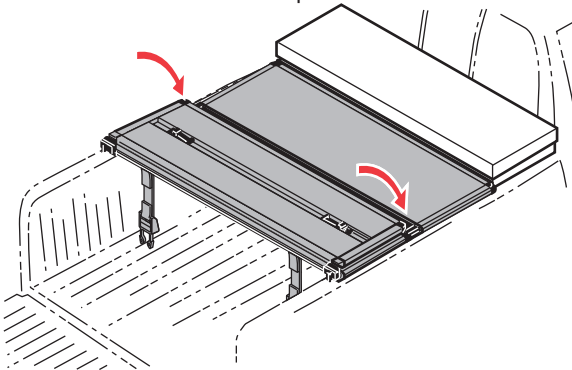
7



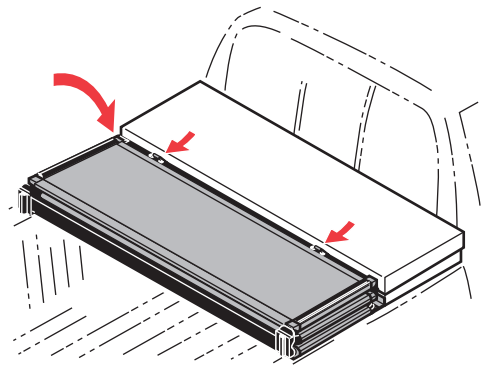
8

It is convenient to drive with the SOLID FOLD cover open. Release the rear clamps and fold the cover forward.

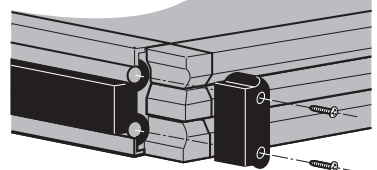
Fold the cover forward and fasten BOTH straps in the middle section to the front rail.



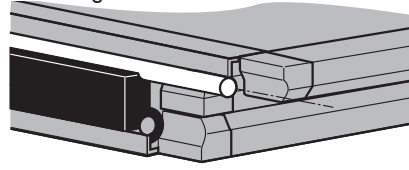
IMPORTANT: Before folding the second section of the cover, rear clamps must be stowed securely into rail.



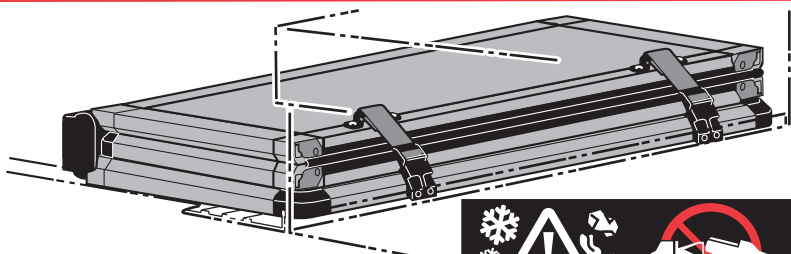
Remove any snow or foreign matter before folding cover.



To remove foreign matter from panel hinges, remove one end cap and slide panels apart. Reassemble after cleaning.



IMPORTANT NOTICE
While driving, cover must be completely flat and secure with all four clamps in the closed position or completely folded up (all panels) and secured at the cab. **DO NOT DRIVE** with cover in partially opened position.



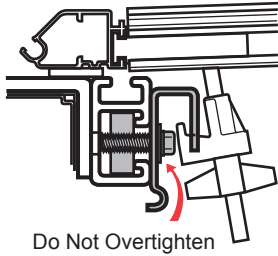
SOLID FOLD 2.0 Tool Box

Special Instructions for Alternative Brackets

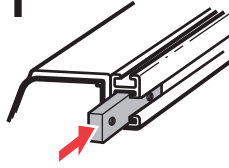
SUPPLEMENT to INSTALLATION INSTRUCTIONS

Dodge Dakota 08-11

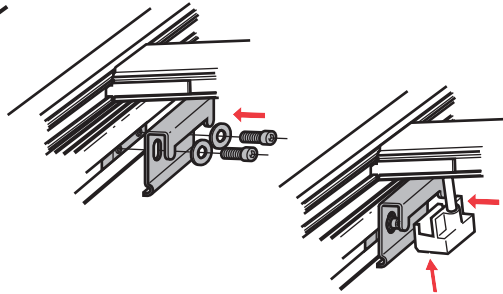
CAB CLAMP
Add clamp plate as shown here



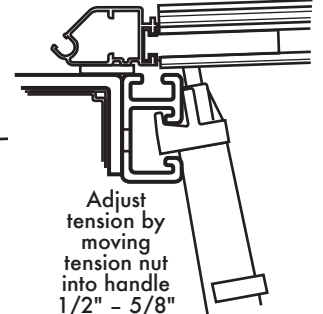
Do Not Overtighten



Add clamp plate as shown here



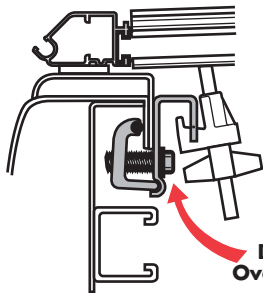
TAILGATE CLAMP
Hook clamp directly into factory rail



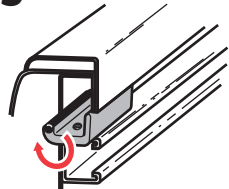
Adjust tension by moving tension nut into handle 1/2" - 5/8"

Nissan Frontier 2005-

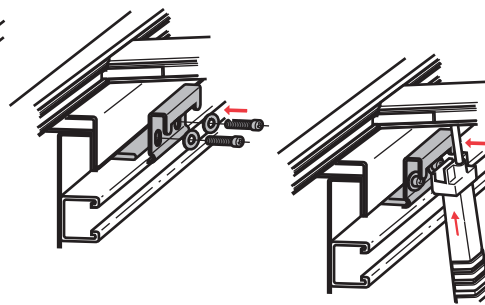
CAB CLAMP



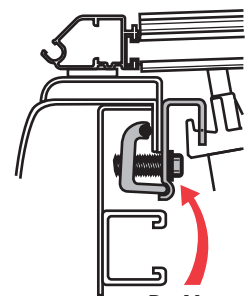
Do Not Overtighten



Add clamp plate as shown here



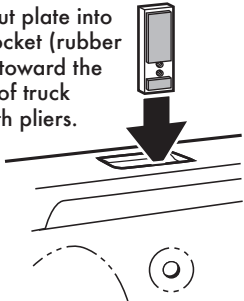
TAILGATE CLAMP



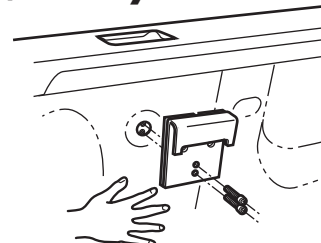
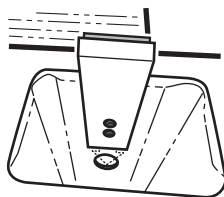
Do Not Overtighten

Chevy Silverado/GMC Sierra 2007+, Chevy Colorado/GMC Canyon 2015+

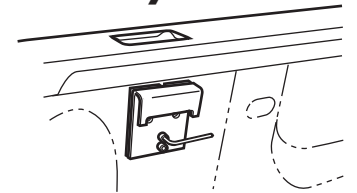
Lower nut plate into stake pocket (rubber surface toward the interior of truck bed) with pliers.



Note: A bed liner will require trimming to access hole in bed.



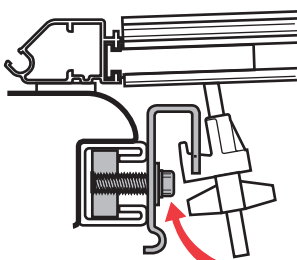
Align bracket to hole in bed sheet metal and screw through bracket and bed hole to the nut plate. Hand tighten.



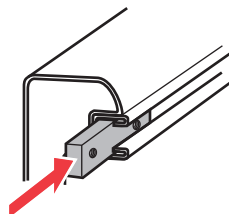
Align bracket with tonno spring latch and secure bracket to truck bed.

All other Cargo Management equipped trucks

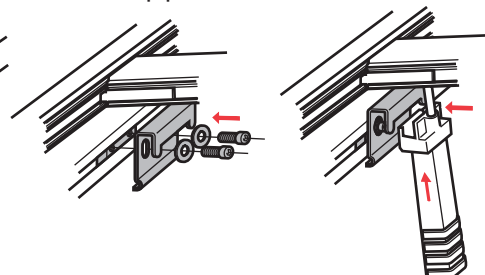
CAB CLAMP



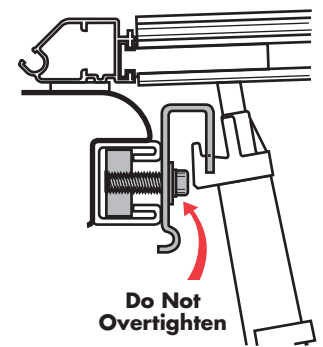
Do Not Overtighten



Add clamp plate as shown here



TAILGATE CLAMP



Do Not Overtighten



Extang Corporation
5400 S. State Rd.
Ann Arbor MI 48108
734-677-0444, Fax: 734-677-8409

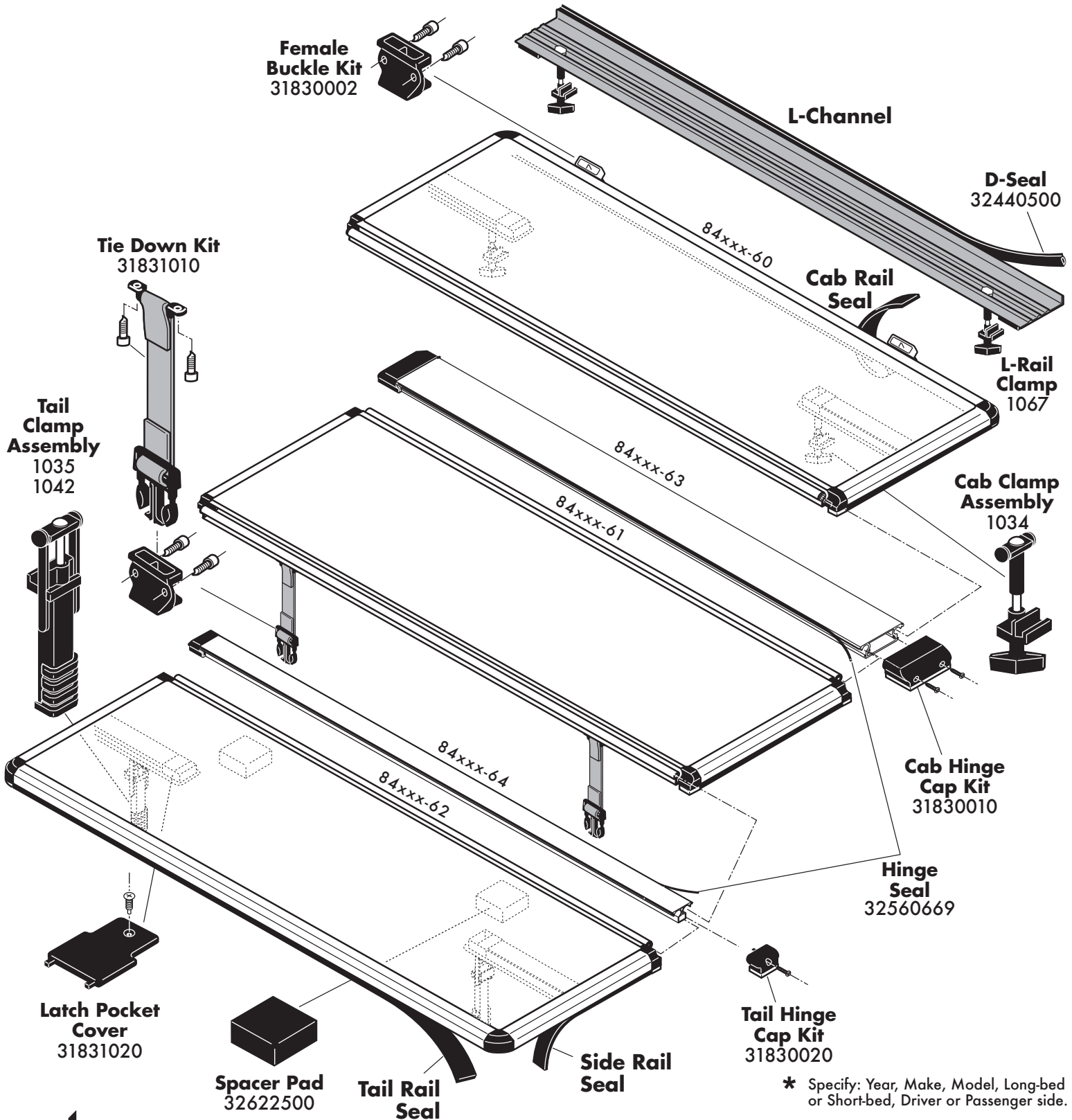
Register your warranty at:
www.extang.com

© Extang Corp., 2016, Printed in U.S.A.

SOLID FOLD 2.0 Tool Box

Replacement Parts

NOTE: To order replacement parts, it's best to contact our Customer Service Department for assistance, to ensure getting the correct part for your vehicle application. When ordering, xxx represents the 3-digit suffix, as referenced on the sales receipt or vehicle application list. Customer Service Department: 800-877-2588.



* Specify: Year, Make, Model, Long-bed or Short-bed, Driver or Passenger side.

Register your warranty at:

www.extang.com

© Extang Corp., 2016, Printed in U.S.A.

extang
AMERICA'S BEST
SELLING TONNEAUS

Extang Corporation
5400 S. State Road
Ann Arbor, MI 48108
734 677-0444, Fax: 734 677-8409

MAXIMUM STRENGTH WARRANTY

READ CAREFULLY - KEEP IN A SAFE PLACE

PLEASE ATTACH AND SAVE YOUR SALES RECEIPT.
ACTIVATE YOUR WARRANTY ONLINE AT EXTANG.COM.

EXTANG LIMITED WARRANTY

ENCORE
TONNO

**SOLID
FOLD 2.0**

SOLID FOLD
FOLDING HARD LID TONNEAU

■ WARRANTY DURATION:

Extang offers three years of coverage from the date of purchase. Warranty is limited to original purchaser of truck bed cover and is non transferable.

■ WARRANTY CONDITIONS:

This warranty is against defective materials or workmanship. The warranty is void if the product has been damaged by accident, unreasonable use, neglect, improper service/installation/removal, modifications, normal wear and tear or other causes not arising out of defective materials or workmanship. Consequential and incidental damages are not covered under this warranty.

WARRANTY EXCLUSION:

- Warranty is void if defect in materials and workmanship is not reported in writing within 30 days of discovering a defect.
- Warranty does not cover the cost of shipping, including the cost of returning the product for warranty service or inspection.
- Warranty does not cover scratches and dents to bed cover. Warranty further excludes damage to bed cover as a result of placing, storing, or hauling objects on top of bed cover.
- Warranty will be void if shipping damage is not reported in writing within 3 business days of purchase.

THE FOLLOWING CONDITIONS WILL ALSO VOID THE WARRANTY:

- OVERLOADING OF CARGO – Cargo should not touch the tonneau at any point. Protrusions in the tarp will stress the fabric. Cargo may shift while traveling and cause it to push against the fabric or panels and damage it.
- DRIVING WITH PANELS OPEN OR IMPROPERLY SECURED – Prior to vehicle operation, clamps must be tightly secured so that clamp lips tightly grip the inner bedside metal surface. OPEN POSITION: Tonneau must be completely folded and secured with BOTH buckles. CLOSED POSITION: Tonneau must be completely flat and secured at all 4 clamps.
- Top of tonneau MUST be free of foreign material including snow and ice before opening panels or severe damage may result.
- Do NOT tow your vehicle from the rear with any Extang tonneau cover on your truck.

■ PERFORMANCE:

Provided all warranty conditions are met Extang will either repair or replace (at Extang's option) the product or component. Extang may require the original item to be returned postage prepaid for final determination. Extang reserves the right to substitute and offer the respective warranty discount on an entire replacement system or provide other remedies than those listed in this warranty for discontinued products or other reasons. A return authorization number must be obtained from our customer service department prior to returning any product. **Shipping charges will apply for any repair or replacement.** This warranty gives you specific legal rights and you may also have other legal rights which vary from state to state.



MAXSEAL
TAILGATE SEAL



The MaxSeal Tailgate Seal creates a tight seal along sides and bottom of your tailgate to keep out dust, rain and snow. Quick and easy to install: just cut, peel and stick.

e-LIGHT 500 RECHARGEABLE
TRUCK BED
UTILITY LIGHT



The e-LIGHT 500 is an all-new revolutionary lighting system that fully illuminates the entire bed of your truck with ease. Universal in nature, the e-LIGHT 500 has been designed to work from any location inside the truck bed, and can be recharged on the go.

Order today, direct from our customer service department:

1-800-877-2588

5400 S. STATE ROAD, ANN ARBOR, MI 48108
VOICE: 734-677-0444 or 1-800-877-2588
FAX: 734-677-8409 EMAIL: info@extang.com
WEB SITE: extang.com

extang

Item No. 0193-715 RRE Printed in U.S.A.

SOMETHING DAMAGED? MISSING PARTS?

CALL US FIRST
800-877-2588

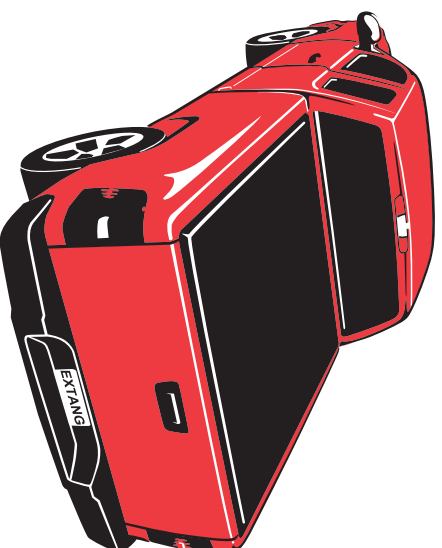
WE CAN HELP YOU QUICKLY AND EASILY OVER THE PHONE

RAPID RESPONSE
OVERNIGHT DELIVERY

Experienced Customer Service staff
to answer all your tonneau questions

CUSTOMER SERVICE HOURS:

8:30 TO 5 EST, MONDAY - FRIDAY



Tonno Model: _____
Purchase Date: _____
Lot Code: _____
<i>Lot code can be found on underside of cover.</i>

extang
AMERICA'S #1
SELLING TONNEAU

Part No.0032-1212RRE Printed in U.S.A.