

ELITE

by UnderCover

MODEL SPECIFIC GUIDE

Hidden Hinge Version

Model 2148 Ford F150 Ext/Crew Cab 5.5' Short Bed 2009-Current

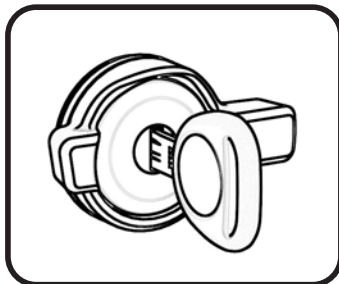


Note: This Cover will work with or without a tailgate step.



Program Your Key

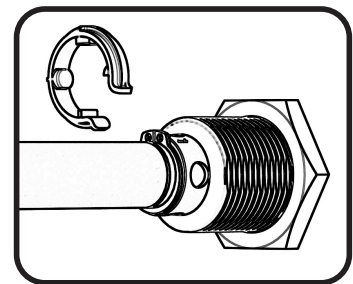
⚠ WARNING ⚠
IF KEY IS NOT FULLY INSERTED PRIOR TO ROTATING - DAMAGE TO LOCK *WILL* OCCUR.



STEP ONE
REMOVE LABEL,
FULLY INSERT KEY



STEP TWO
ROTATE CLOCKWISE
180 DEGREES



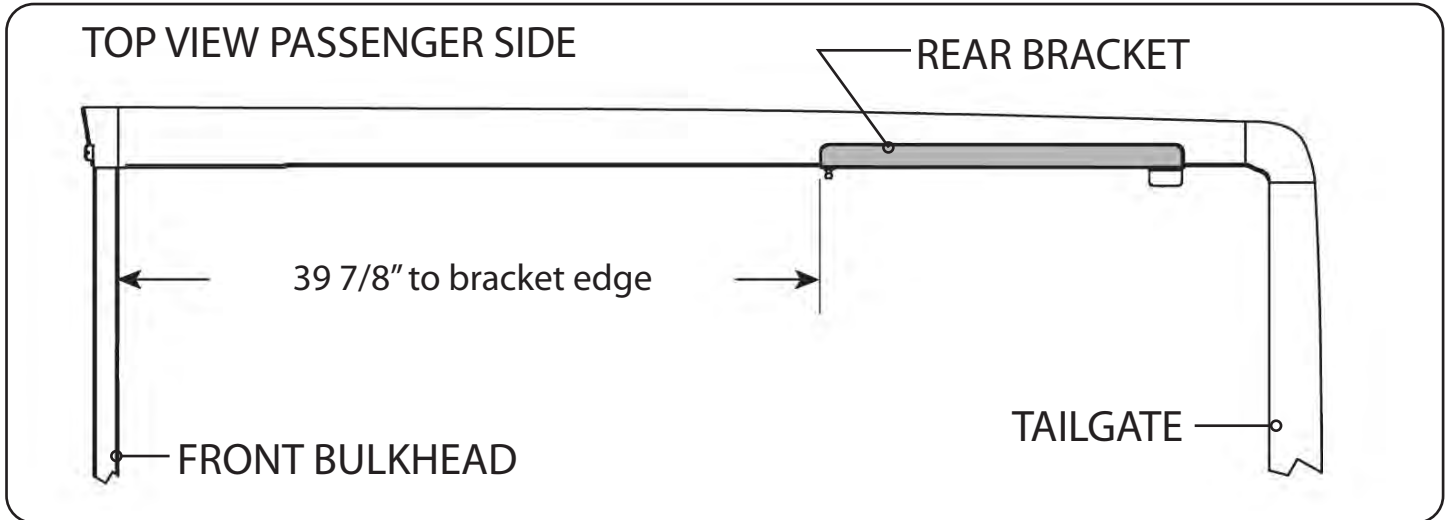
STEP THREE
REMOVE PLASTIC CLIP
BY PUSHING ON TABS.
DISCARD CLIP.



MODEL SPECIFIC GUIDE Hidden Hinge Version Model 2148 Ford F-150 5.5' Short Bed 2009-Current

RE: Step 2 on the Quick Start Guide

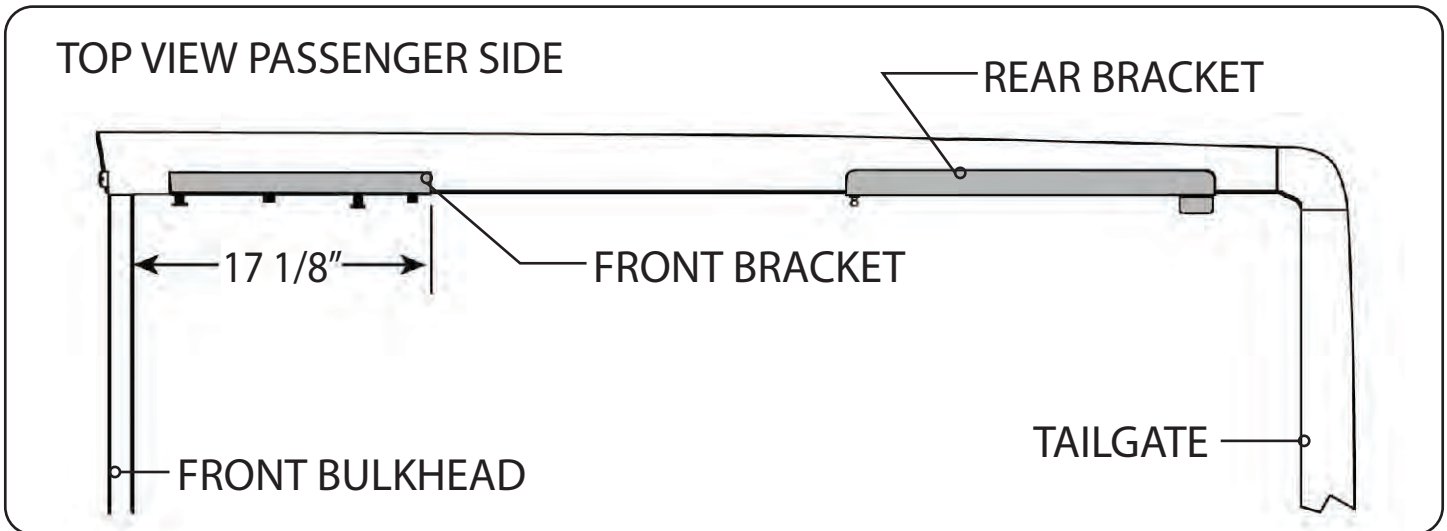
Measurement for the rear mounting bracket is $39\ 7/8''$ from the back side of the bulkhead to the front edge of the bracket.



RE: Step 3 on the Quick Start Guide

Measurement for the front mounting bracket is $17\ 1/8''$ from the back side of the bulkhead to the end of the bracket.

The fit of the cover to the truck bed is determined by the front mounting brackets. This measurement is a good starting point. Unfortunately not all truck beds are assembled 100% square, so some adjustments may be necessary after the cover is set on the truck.



UnderCover, Inc.
P.O. Box 620
Rogersville, MO 65742
(417) 753-8000
(866) 900-8800

www.undercoverinfo.com
sales@undercoverinfo.com

© 2010 UnderCover, Inc.
All rights reserved.