



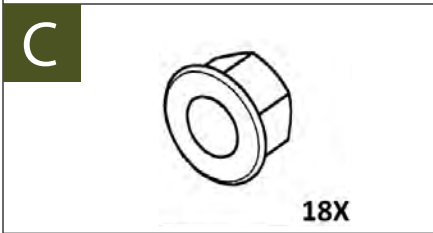
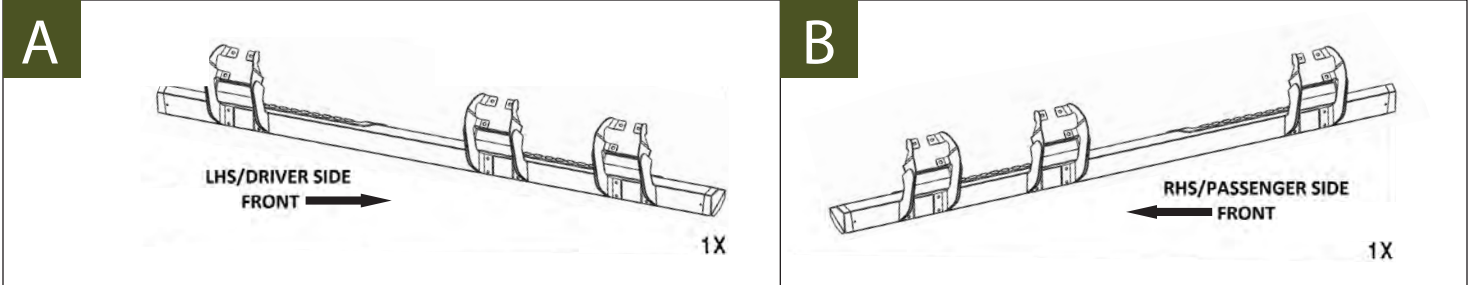
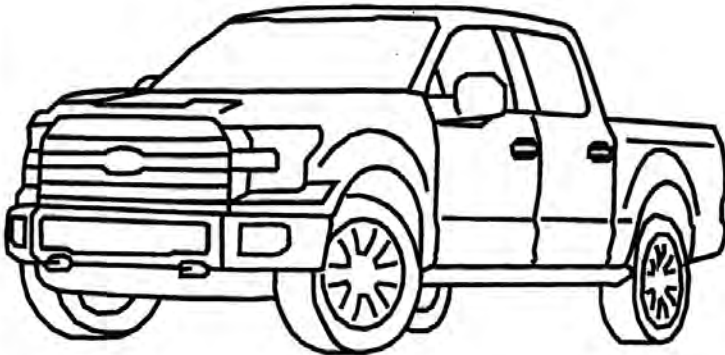
# OCTA SERIES

VEHICLE APPLICATION(S):

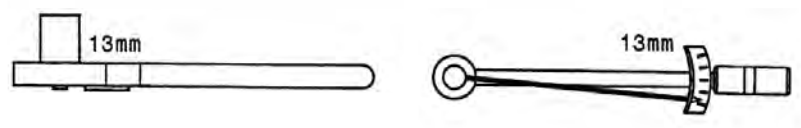
2015 →

F-150 REG, EXT & CREW CABS

CREW CAB SHOWN - REGULAR  
AND EXTENDED CABS SIMILAR

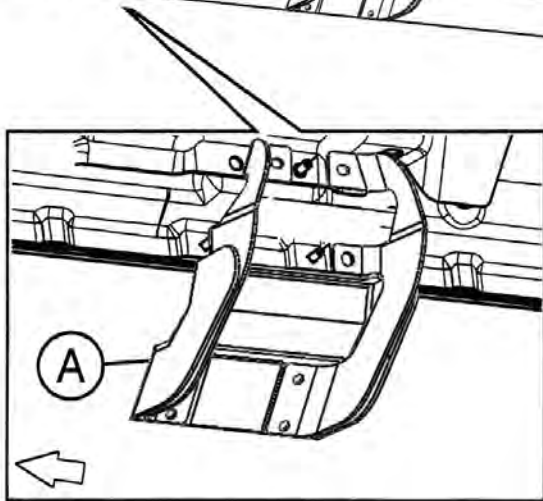
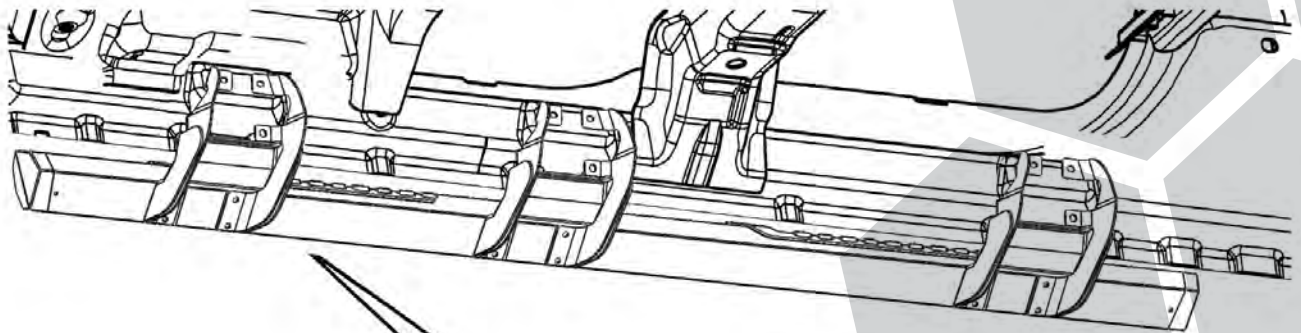


## TOOLS REQUIRED

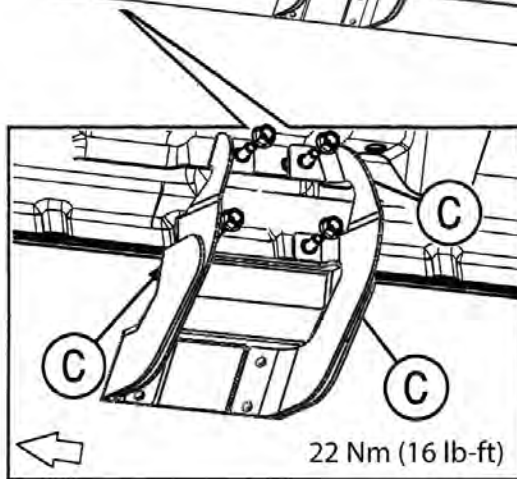
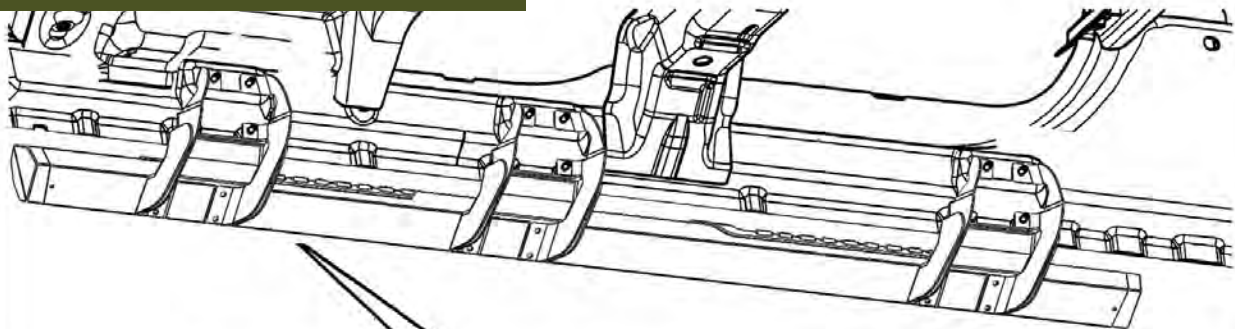


# STEP 1

# OCTA SERIES



# STEP 2



REPEAT PROCESS FOR OTHER SIDE