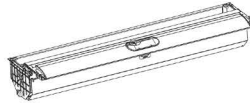



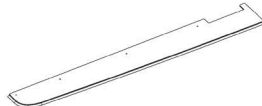

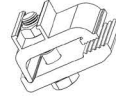


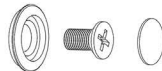





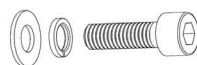

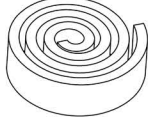

PROVEN GROUND

Aluminum Retractable Tonneau Cover

Installation Guide

Parts List:

Item	Qty	Description	Picture
1	1	Retractable Hard Cover Box	
2	1	Left Side-Rail	
3	1	Right Side-Rail	
4	1	Left Side-Rail Plate	
5	1	Right Side-Rail Plate	
6	2	Screw	
7	6	Clamp	
8	6	Clamp-Plate	
9	1	Cover-Box Cap	
10	6	Cap bolt	
11	2	Key	

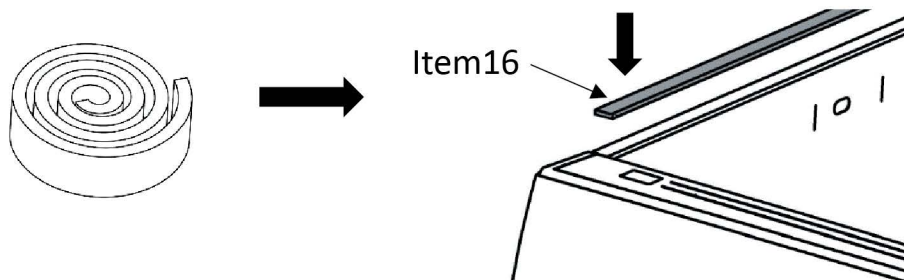
12	2	Water Drain Pipe	
13	6	Side Rail bolts (include blocks)	
14	4	Bolt (for front of side rail)	
★15	2	Heel block	
16	2	Weather Stripping	
17	1	Lubricating oil	

★Only for the truck bed with lower front bed rail!

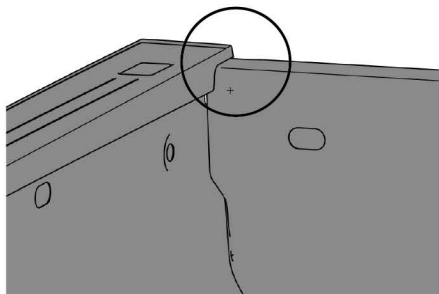
Required Tools: Screwdriver and Allen wrench

Step1 Check contents of carton with the list above

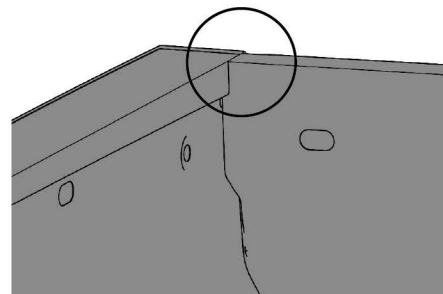
Step2 Attach a suitable weather stripping to the front of the truck bed.



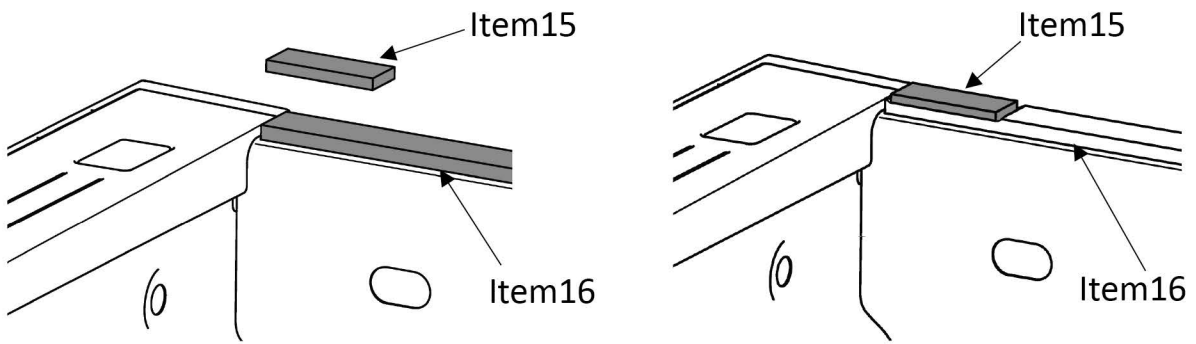
Step3 Place the heel block on each side of the weather stripping. (If the truck bed is flush with the rail like picture B, skip this step)



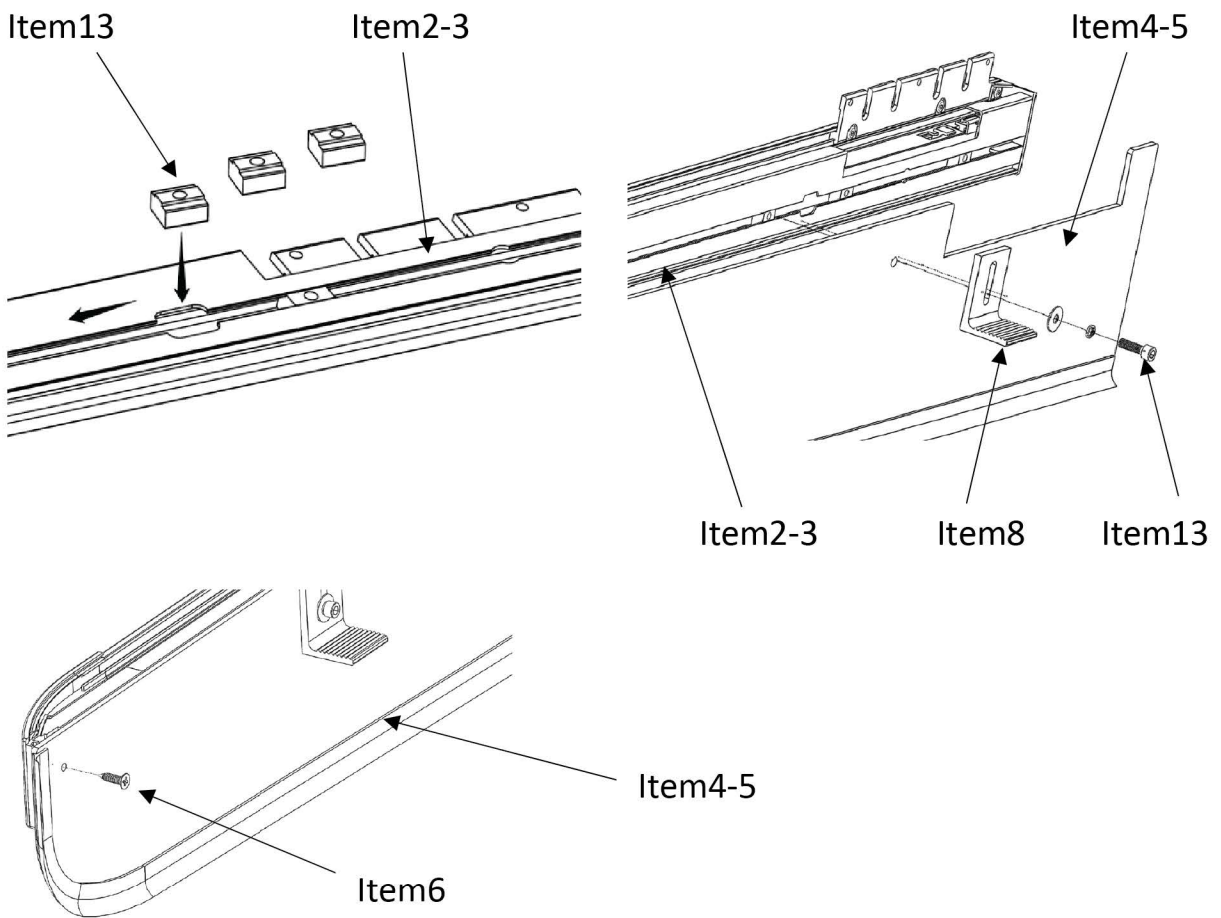
A



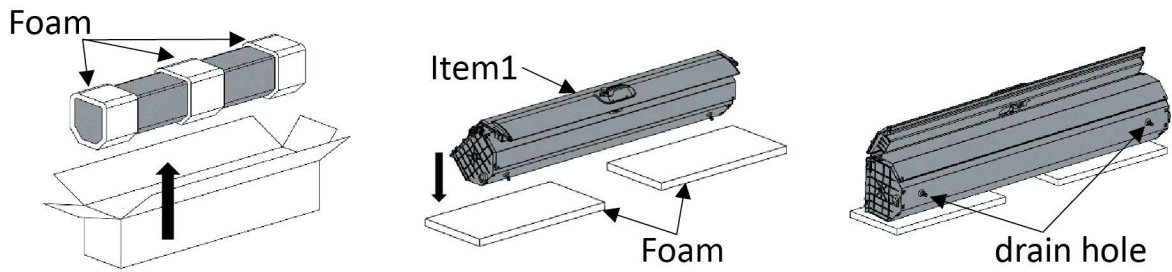
B



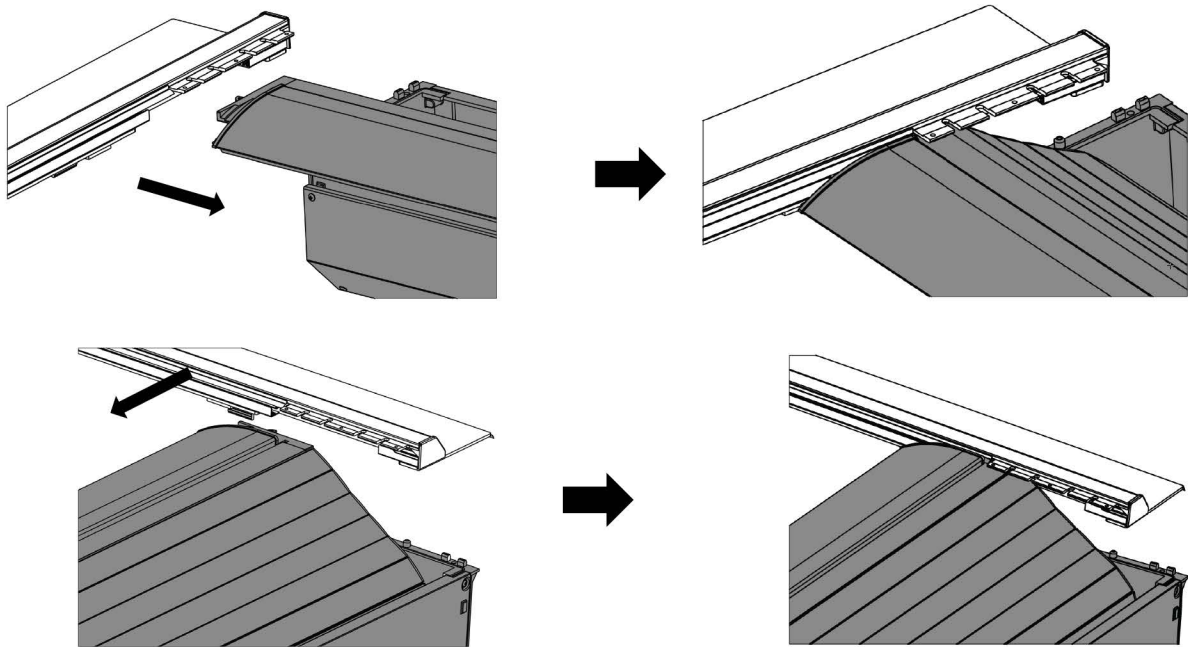
Step4 Insert (3) of the small blocks into the hole and move them in the side rail. Repeat on both sides. Place the Side Rail Plate on the back of Side Rail. Then screw the blots but do not tighten them.



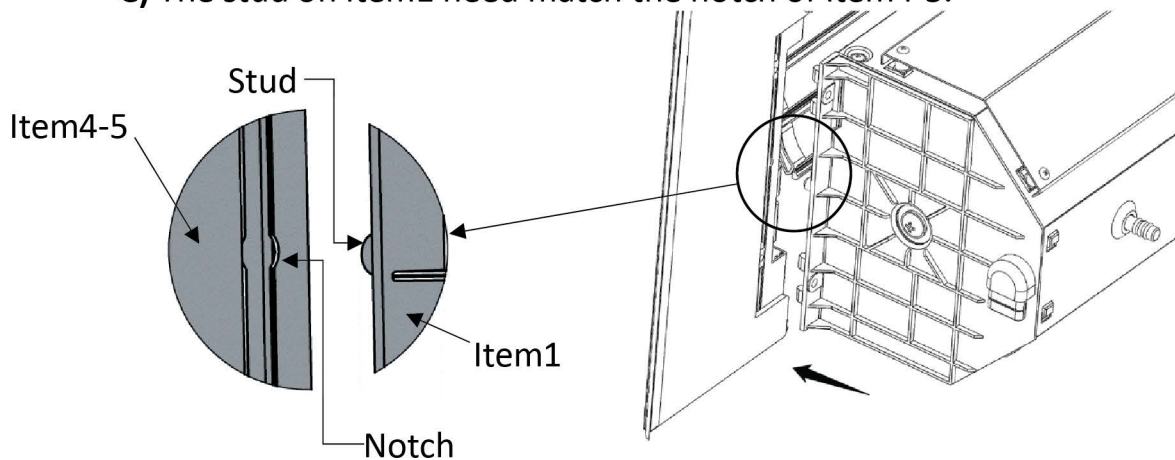
Step5 A) Remove the Foam from carton, remove the Hard Cover Box(Item1), put it on the foam. Make sure the Box front side sits on the foam to prevent damage to drain holes.



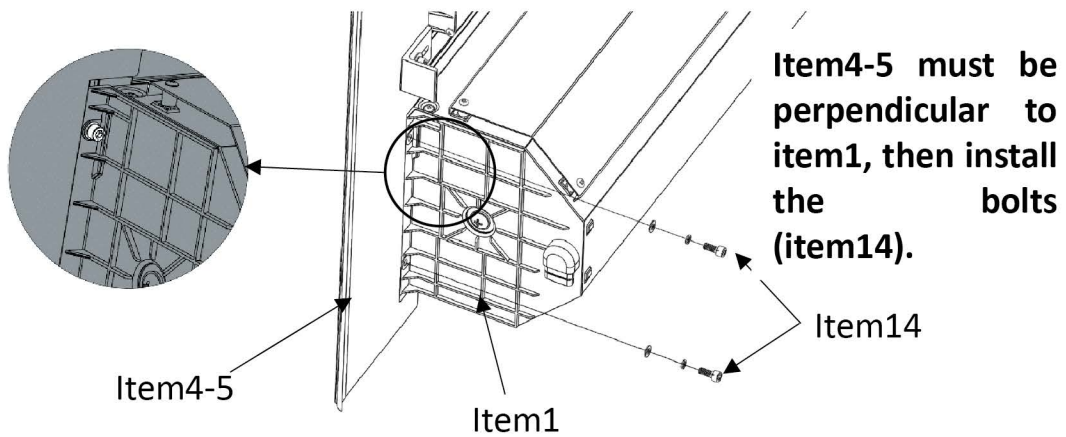
B) Insert the Side Rail in the Cover Box.



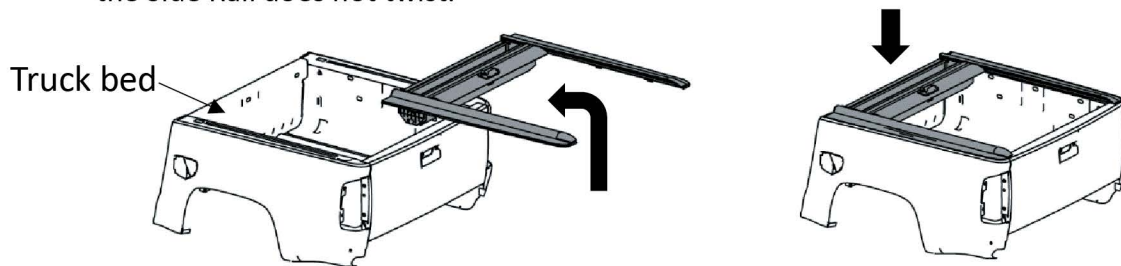
C) The stud on Item1 need match the notch of Item4-5.



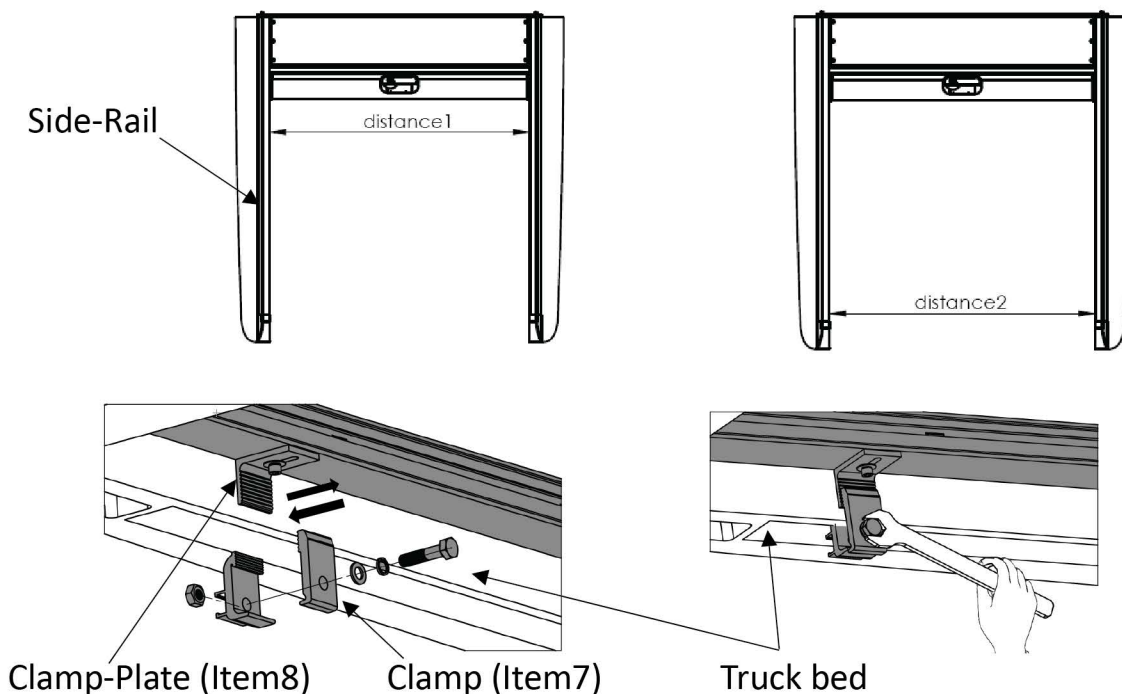
D) Then tighten the bolt. Note: There are two **blocks in the front of Side Rail, adjust as need to engage the bolts.**



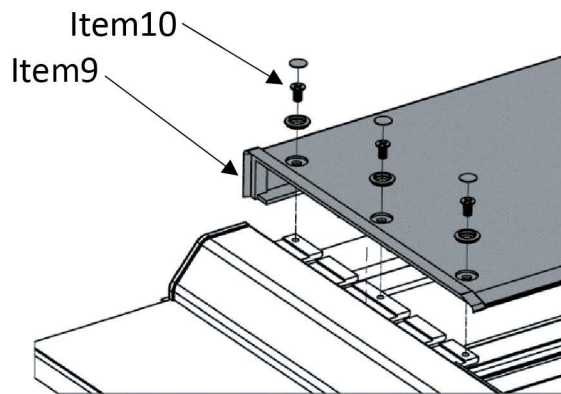
Step 6 When finished Step-5, Place the cover box and Side Rails on the truck bed. Make sure the cover box aligning with the surface of truck bed. Tighten the Clamp to connect the Side Rail and truck bed together. Adjust the Clamp bolt so that the box is tight against the front of the bed, ensure the Side Rail does not twist.



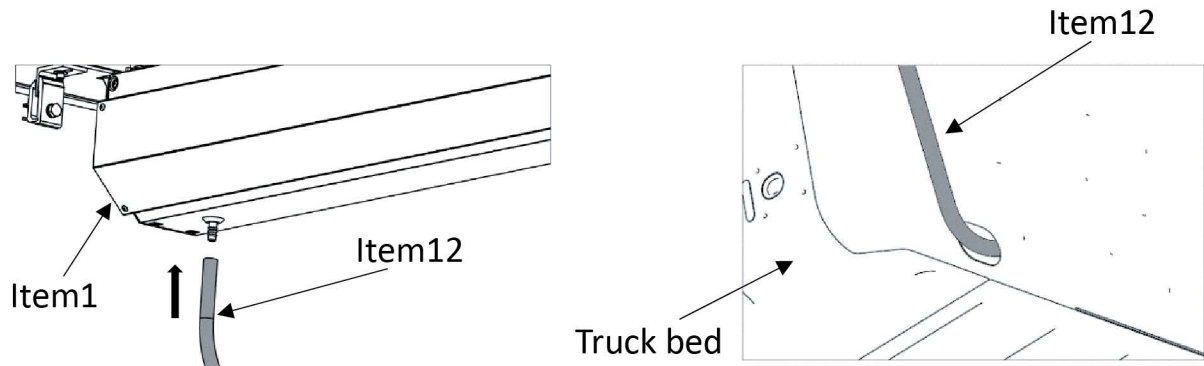
Step 7 Measure the distance between the Side-Rails to be consistent (Distance 1 shall match Distance 2), then adjust the Clamp-Plate and tighten the screw.



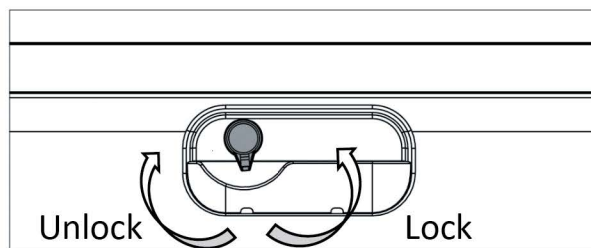
Step8 Place the Cover-Box Cap on the Cover Box. Screw the hardware on the Cap.



Step9 Make sure the Water Pipes are installed on the bottom of Cover Box. Guide the Water drains to the outside of truck bed front (If your truck does not have factory holes, you will need to drill holes for the water drain).



Step10 Twist the lock knob to “lock position”, Pull the cover to the truck tail gate, until the cover is locked and cannot move. Close the tailgate.



Attention: If cover panels is difficult to pull, please add lubricating oil under the rubber strip of the Side-Rail, and pull cover panels a few times.

