



INSTALLATION INSTRUCTIONS

3-1/2" OVAL BULL BAR

03-05 1500 DODGE RAM

03-09 DODGE RAM 2500-3500

**EXCLUDES SPECIAL EDITION MODELS WITH ADDITIONAL LOWER
BUMPER FASCIA**

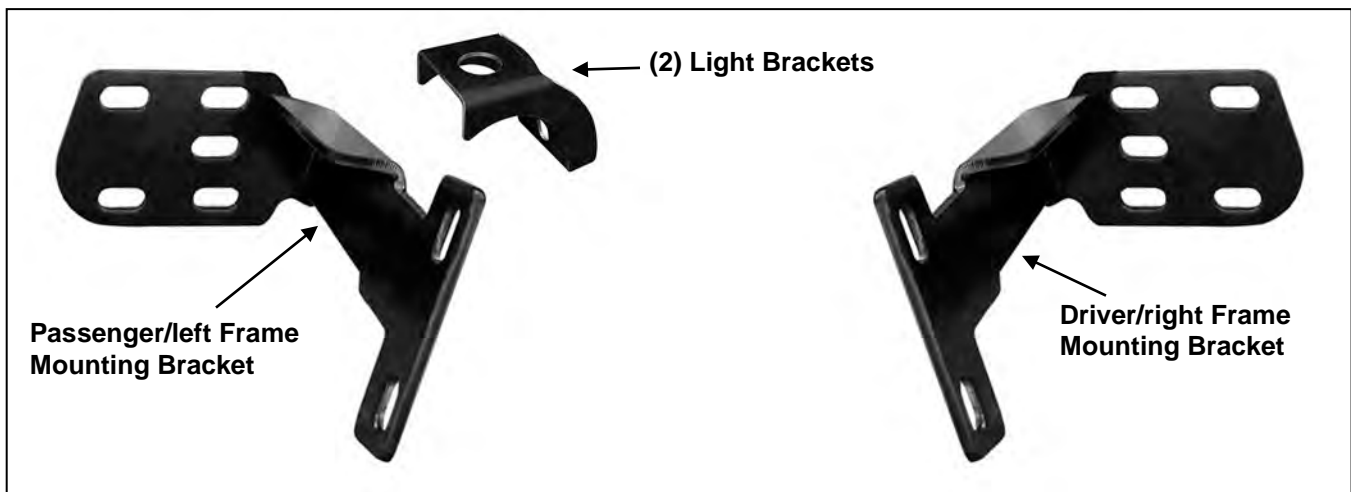
(GTX, HEMI SPORT, RUMBLE BEE, DAYTONA, ETC.)

PART# R102570 R102571

EXCLUDES SPECIAL EDITION MODELS WITH ADDITIONAL LOWER BUMPER FASCIA
 (GTX, HEMI SPORT, RUMBLE BEE, DAYTONA, ETC.)

PARTS LIST:

1	3-1/2" Oval Bull Bar	8	10mm Lock Washers
1	Driver/Left Frame Mounting Bracket	8	10-1.5mm Hex Nuts
1	Passenger/Right Frame Mounting Bracket	4	6-1.0mm x 20mm Button Head Bolts
2	Light Brackets	4	6mm Lock Washers
8	10-1.5mm x 35mm Hex Bolts	4	6mm x 18mm OD x 1.6mm Flat Washers
16	10mm x 27mm OD x 3mm Flat Washers		



PROCEDURE:

- 1. REMOVE CONTENTS FROM BOX. VERIFY ALL PARTS ARE PRESENT. READ INSTRUCTIONS CAREFULLY BEFORE STARTING INSTALLATION. ASSISTANCE IS RECOMMENDED. FACTORY TOW HOOKS, (IF EQUIPPED), CANNOT BE RE-INSTALLED. CUTTING MAY BE REQUIRED.**
- Remove the tow hook assembly, (1500), or separate tow hooks, (25-3500), if equipped, **(Figure 5)**. On models without tow hooks, remove the plastic insert in the center of the bumper below the grill, **(Figure 1)**.
- Determine the correct installation for your application:
 - 1500 Models, (excludes 1500 Mega Cab).**
 Locate the factory holes in the end of the frame, **(Figure 2)**. Select the driver side Frame Mounting Bracket, **(Figure 3)**. Line up the inner center and top mounting holes in the Bracket with the outer two mounting holes on the mounting plate on the end of the frame behind the bumper. Bolt the Bracket to the frame with (2) 10mm x 35mm Hex Bolts, (4) 10mm Flat Washers, (2) 10mm Lock Washers and (2) 10mm Hex Nuts, **(Figure 4)**. **NOTE:** Access the back of the mounting location from behind the bumper bracket.
 - 25-3500 Models, (including 1500 Mega Cab).**
 Locate the factory holes for the tow hook on the end of the frame, **(Figures 5 & 6)**. Use the (2) outer holes in the Frame Mounting Bracket and the outer tow hook holes in the mounting plate on the frame, **(Figures 6 & 7)**. Select the driver side Frame Bracket,

EXCLUDES SPECIAL EDITION MODELS WITH ADDITIONAL LOWER BUMPER FASCIA
(GTX, HEMI SPORT, RUMBLE BEE, DAYTONA, ETC.)

(Figure 7). Re-use the factory tow hook hardware or use the supplied (2) 10mm x 35mm Hex Bolts, (4) 10mm Flat Washers, (2) 10mm Lock Washers and (2) 10mm Hex Nuts as previously described, to bolt the Bracket to the mounting plate, **(Figure 8).**

4. Repeat **Step 3** to install the passenger side Frame Mounting Bracket.
5. With assistance, lift the Bull Bar up to the outside of the Brackets. Bolt the Bull Bar to the Brackets with the included (4) 10mm x 35mm Hex Bolts, (8) 10mm Flat Washers, (4) 10mm Lock Washers and (4) 10mm Hex Nuts, **(Figures 4 & 8)**. Do not fully tighten hardware at this time.
6. Stand back from the vehicle and check to see that the Bull Bar is centered and level on the vehicle and adjust as necessary. **IMPORTANT:** Once properly aligned, tighten all hardware.
7. **Optional:** If the vehicle was not equipped with tow hooks, the plastic cover described in **Step 2, (Figure 1)**, may be reinstalled once the Bull Bar is properly adjusted. Trim equal amounts from each end until the cover fits between the Frame Mounting Brackets. Line up the mounting holes and secure the cover with the factory clips and hardware.
8. If aftermarket lights will not be installed at this time, use the included (4) 6mm Button Head Bolts, (4) 6mm Lock Washers and (4) 6mm Flat Washers to plug the (4) threaded holes in the back of the cross bar, **(Figure 9)**.
9. If aftermarket lights, (not included), are to be installed, remove the rubber plug on the top of the cross bar. Select (1) Light Bracket, **(Figure 10)**. Attach the light to the Light Bracket using the hardware included with the light. Attach the light and Bracket to the back of the Bull Bar with (2) 6mm Button Head Bolts, (2) 6mm Lock Washers and (2) 6mm Flat Washers, **(Figure 11)**. Adjust the light as desired. **NOTE:** Depending on light design, repeated removal and reinstallation of the light and Bracket may be required for proper adjustment. Tighten all hardware.
10. Repeat **Step 9** to install the second light.
11. Do periodic inspections to the installation to make sure that all hardware is secure and tight.

To protect your investment, wax this product after installing. Regular waxing is recommended to add a protective layer over the finish. Do not use any type of polish or wax that may contain abrasives that could damage the finish.

For stainless steel: Aluminum polish may be used to polish small scratches and scuffs on the finish. Mild soap may be used also to clean the Bull Bar.

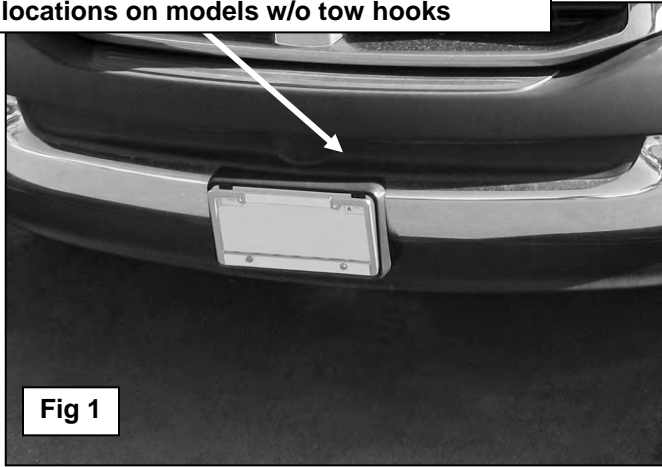
For gloss black finishes: Mild soap may be used to clean the Bull Bar.

3-1/2" OVAL BULL BAR
03-05 1500 DODGE RAM
03-09 DODGE RAM 2500-3500

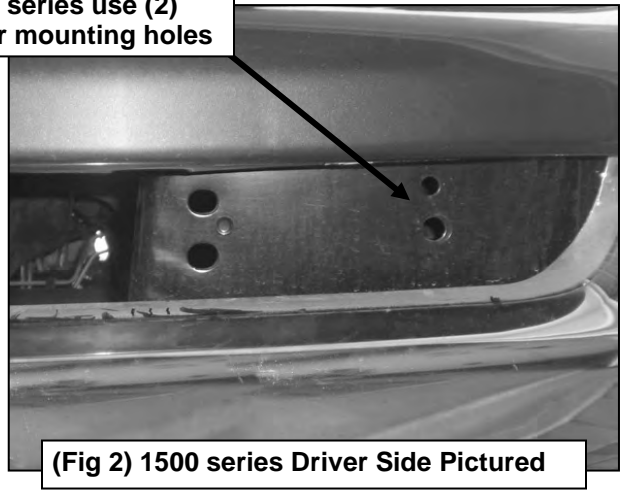
EXCLUDES SPECIAL EDITION MODELS WITH ADDITIONAL LOWER BUMPER FASCIA
(GTX, HEMI SPORT, RUMBLE BEE, DAYTONA, ETC.)

Example of Ram 1500 Series Driver Side Installation Pictured

Remove plastic cover to access mounting locations on models w/o tow hooks



1500 series use (2) outer mounting holes



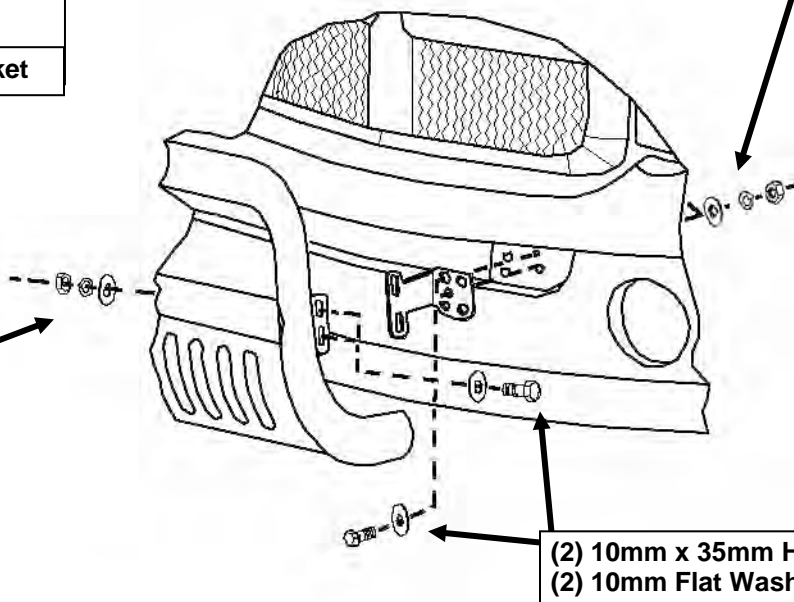
1500 series use these mounting holes



(2) 10mm Flat Washers
(2) 10mm Lock Washers
(2) 10mm Hex Nuts

(2) 10mm Flat Washers
(2) 10mm Lock Washers
(2) 10mm Hex Nuts

Fig 4



3-1/2" OVAL BULL BAR
03-05 1500 DODGE RAM
03-09 DODGE RAM 2500-3500

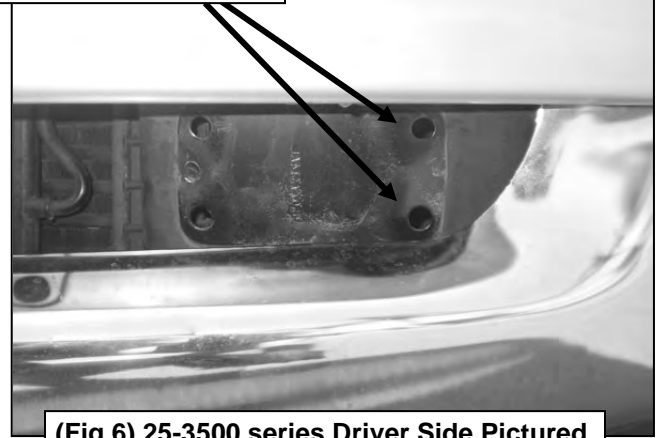
EXCLUDES SPECIAL EDITION MODELS WITH ADDITIONAL LOWER BUMPER FASCIA
(GTX, HEMI SPORT, RUMBLE BEE, DAYTONA, ETC.)

Example of Ram 25-3500 (and 1500 Mega Cab) Series Driver Side Installation Pictured



(Fig 5) 25-3500 Driver Side pictured with tow hook

25-3500 series use
outer mounting holes



(Fig 6) 25-3500 series Driver Side Pictured

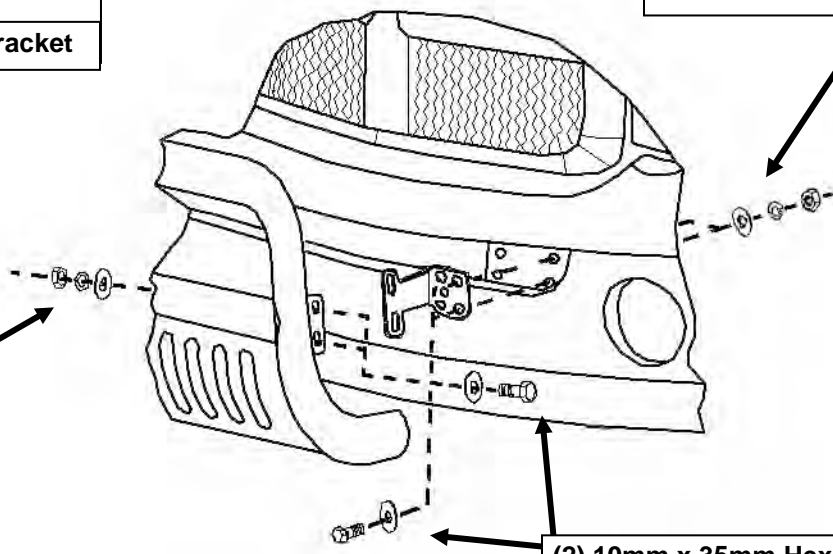


25-3500 series use
outer mounting holes

(Fig 7) Driver/left Mounting Bracket

(2) 10mm Flat Washers
(2) 10mm Lock Washers
(2) 10mm Hex Nuts

(2) 10mm Flat Washers
(2) 10mm Lock Washers
(2) 10mm Hex Nuts



(2) 10mm x 35mm Hex Bolts
(2) 10mm Flat Washers

Fig 8

3-1/2" OVAL BULL BAR
03-05 1500 DODGE RAM
03-09 DODGE RAM 2500-3500
EXCLUDES SPECIAL EDITION MODELS WITH ADDITIONAL LOWER BUMPER FASCIA
(GTX, HEMI SPORT, RUMBLE BEE, DAYTONA, ETC.)

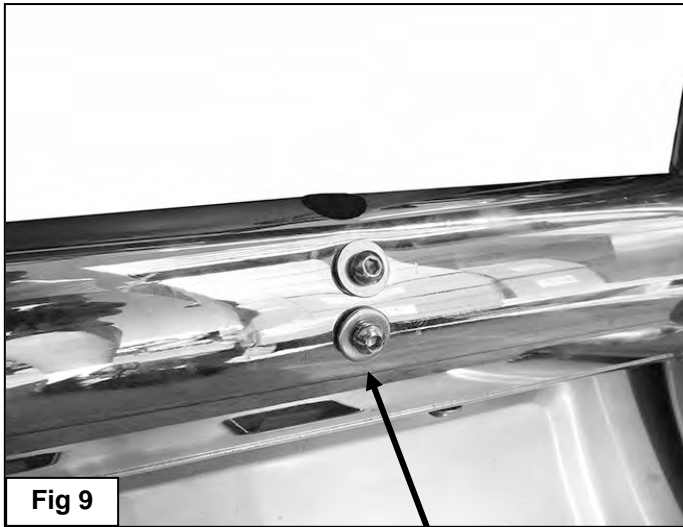


Fig 9

- (2) 6mm Button Head Bolts
- (2) 6mm Lock Washers
- (2) 6mm Flat Washers



(Fig 10) Light Mounting Bracket

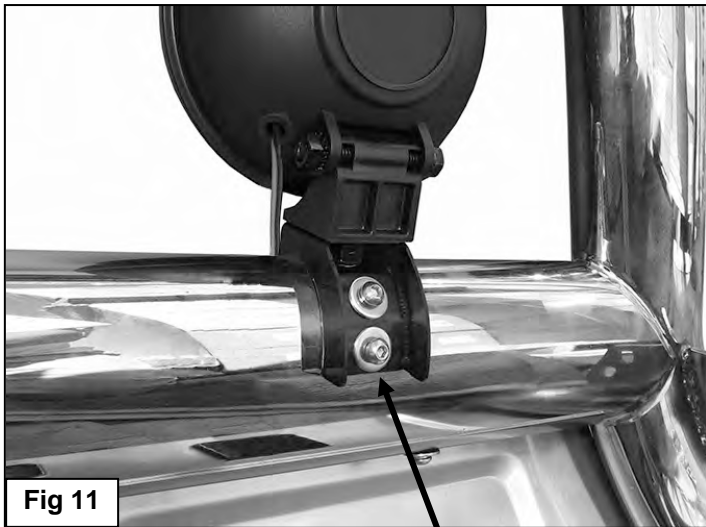


Fig 11

- (2) 6mm Button Head Bolts
- (2) 6mm Lock Washers
- (2) 6mm Flat Washers
- (Light not included)



Complete Installation