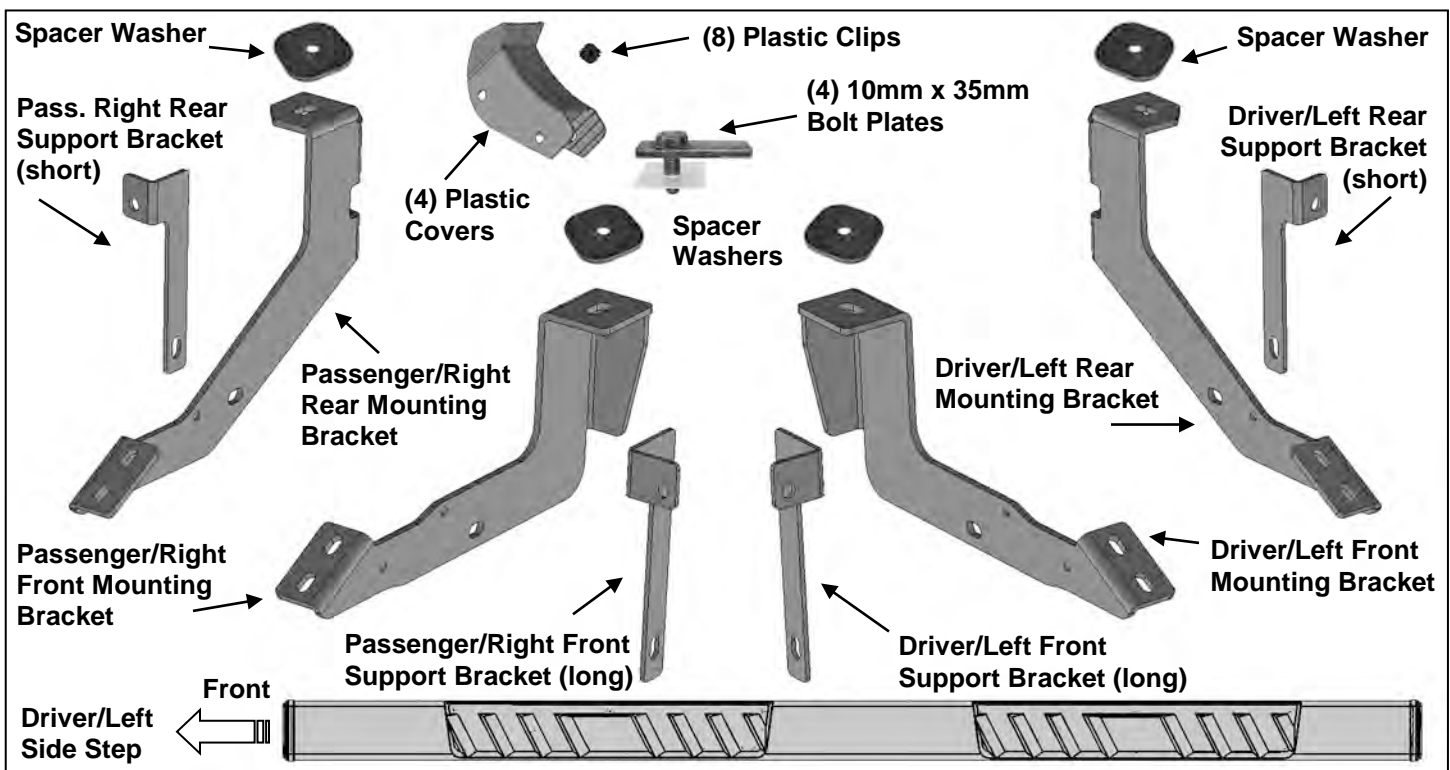


**PARTS LIST:**

1	Driver/Left Side Step	8	Plastic Clip
1	Passenger/Right Side Step	4	14mm Square Spacer
1	Driver/Left Front Mounting Bracket	4	10mm Plastic Retainers
1	Passenger/Right Front Mounting Bracket	4	10mm x 35mm Bolt Plates
1	Driver/Left Rear Mounting Bracket	4	12-1.75mm x 120mm Gr.10.9 Hex Bolts
1	Passenger/Right Rear Mounting Bracket	4	12mm x 32mm OD x 3mm Flat Washers
1	Driver/Left Front Support Bracket (long)	4	12mm Lock Washers
1	PS/Right Front Support Bracket (long)	4	10-1.5mm x 30mm Hex Bolts
1	Driver/Left Rear Support Bracket (short)	12	10mm x 30mm OD x 2.5mm Flat Washers
1	PS/Right Rear Support Bracket (short)	8	10mm Nylon Lock Nuts
4	Plastic Cover	8	8-1.25mm x 25mm Combo Hex Bolts



**PROCEDURE:**

1. REMOVE CONTENTS FROM BOX. VERIFY ALL PARTS ARE PRESENT. READ INSTRUCTIONS CAREFULLY BEFORE STARTING INSTALLATION. ASSISTANCE IS RECOMMENDED.
2. Starting toward the front of the passenger side, remove the factory front body mount bolt with washer, (Figure 1). Remove but do not discard the rubber bushing from the factory bolt.
3. Select the passenger side front Mounting Bracket, (Figure 9). Insert (1) 12mm x 120mm Hex Bolt with (1) 12mm Flat Washer and (1) 12mm Lock Washer through the Mounting Bracket. Place (1) Large Spacer Washer, (Figure 2 & 3), onto the Bolt then slide the rubber bushing onto the Hex Bolt against the Washer. Make sure that the Spacer Washer is between the Bracket and the factory rubber bushing, (Figure 4).
4. Hold the Bracket and hardware up in place and attach to the factory body mount, (Figure 4). Snug but do not tighten hardware at this time. **IMPORTANT:** On 2005 and newer model years, the large washer on the factory body mount bolt may be removable, (do not discard-must reinstall), and the bolt is long enough to go through the Mounting Bracket and properly thread into the body mount. It is the installer's responsibility to check length and to determine whether to reuse the factory body bolt or the included replacement 12mm x 120mm Hex Bolt.
5. Remove the tape covering the factory hole in the back side of the lower body panel near the Mounting Bracket, (Figure 4). Thread (1) Plastic Retainer part way onto (1) 10mm x 35mm Bolt Plate, (Figure 5). Insert the Bolt Plate into the factory hole on the body panel, (Figure 6). Hold the Bolt Plate in place with one hand and continue

to thread the Plastic Retainer down against the sheet metal to hold the Bolt Plate in place, **(Figure 7)**.

**IMPORTANT:** The Plastic Retainer is designed to prevent the Bolt Plate from falling into the body panel and to aid in Bracket installation.

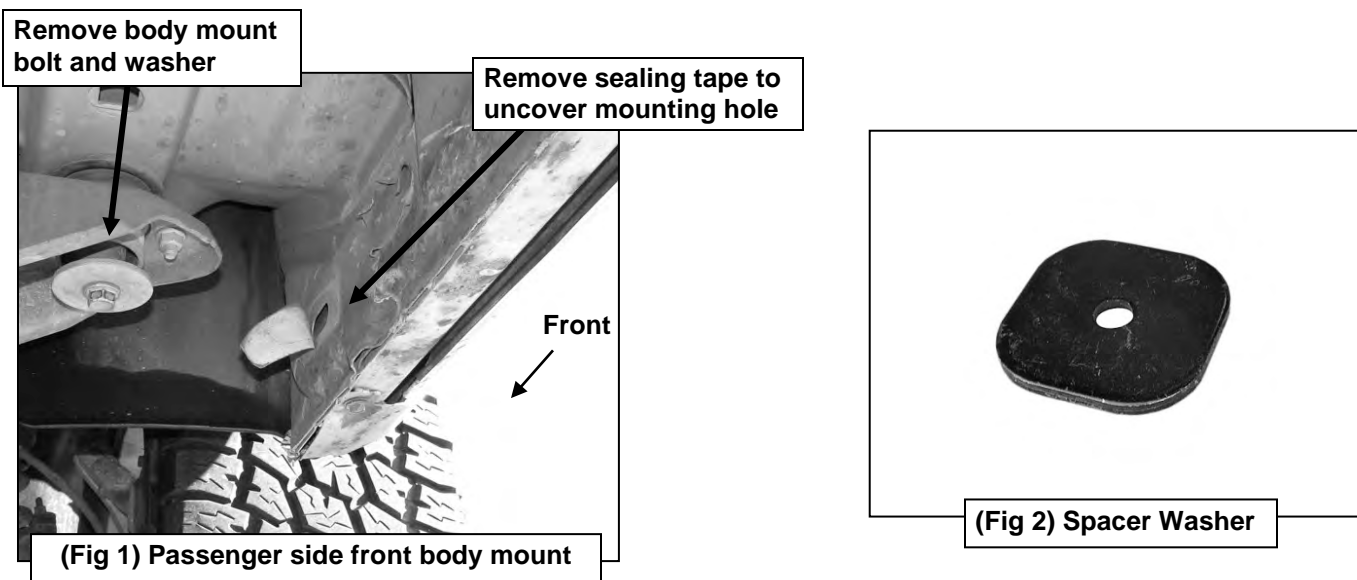
6. Select the passenger side front Support Bracket (long), **(Figure 8)**. Attach the Bracket to the Bolt Plate with (1) 10mm Flat Washer, (1) 10mm Lock Washer and (1) 10mm Hex Nut, **(Figure 9)**. **NOTE:** Place the lower flat end of the Support Bracket against the front facing side of the Mounting Bracket. The bent tab on the top of the Support Bracket should face the **front** of the vehicle. Do not tighten hardware.
7. Attach the flat lower end of the front Support Bracket to the front of the Mounting Bracket with (1) 10mm x 30mm Hex Bolt, (2) 10mm Flat Washers, (1) 10mm Lock Washer and (1) 10mm Hex Nut, **(Figure 9 & 11)**. Do not tighten hardware at this time.
8. Select (1) Plastic Bracket Cover and (2) Retaining Clips, **(Figure 10)**. Slide the Cover over the front Bracket. Line up the mounting holes in the Cover with the holes in the Bracket. Insert (1) Clip into each hole and push center pin to expand Clip. Repeat this Step for all Cover installations.
9. Move to the rear body mount at the back of the cab. Select the passenger side rear Mounting Bracket. Repeat **Steps 2—4** for rear Mounting Bracket installation, **(Figures 12 & 14)**.
10. Remove the tape covering the hole in the inner rocker panel and install (1) Bolt Plate as described in **Step 5**, **(Figure 13)**. Select the passenger side rear Support Bracket, (short), **(Figure 8)**. Attach the bent end of the top of the Bracket to the Bolt Plate with (1) 10mm Flat Washer, (1) 10mm Lock Washer and (1) 10mm Hex Nut, **(Figures 13 & 14)**. **NOTE:** Place Support Bracket against the front facing side of the Mounting Bracket. The bent tab on the top of the rear Support Bracket should face the **rear** of the vehicle.
11. Repeat **Step 7** to attach the flat lower end of the Support Bracket to the front of the rear Mounting Bracket, **(Figure 14)**. Snug but do not tighten hardware at this time
12. Repeat **Step 8** to install the Plastic Cover over the Bracket, **(Figure 10)**.
13. Select the passenger/right Side Step. Carefully position the Side Step onto the (3) Brackets. **IMPORTANT:** Do not slide, (front to back or rotate), the Side Step on the Brackets or damage to the finish may result. Attach the Side Step to the Brackets with (6) 8mm x 25mm Combo Hex Bolt assemblies, **(Figure 15)**. Do not tighten hardware.
14. Level and adjust the Side Step and tighten all hardware.
15. Repeat **Steps 2—14** for the driver/left Side Step installation.
16. Do periodic inspections to the installation to make sure that all hardware is secure and tight.

**To protect your investment**, wax this product after installing. Regular waxing is recommended to add a protective layer over the finish. Do not use any type of polish or wax that may contain abrasives that could damage the finish.

**For stainless steel:** Aluminum polish may be used to polish small scratches and scuffs on the finish. Mild soap may be used also to clean the Side Step.

**For gloss black finishes:** Mild soap may be used to clean the Side Step.

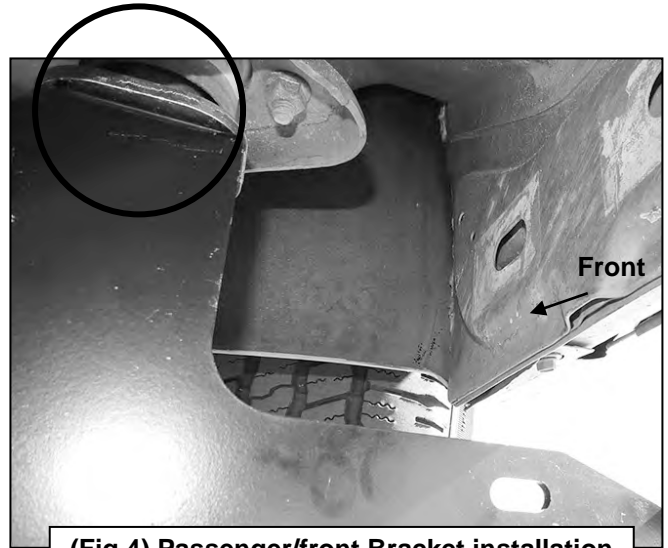
### Passenger Side Installation Pictured





(Fig 3) Passenger/rear Bracket for example only

**IMPORTANT: Insert (1) Spacer Washer between each front and rear Mounting Bracket and factory rubber bushing (passenger side front Mounting Bracket pictured)**



(Fig 4) Passenger/front Bracket installation



(Fig 5) Bolt Plate w/Retainer

**Insert Bolt Plate into oval hole. Thread Plastic Retainer down flush against sheet metal**

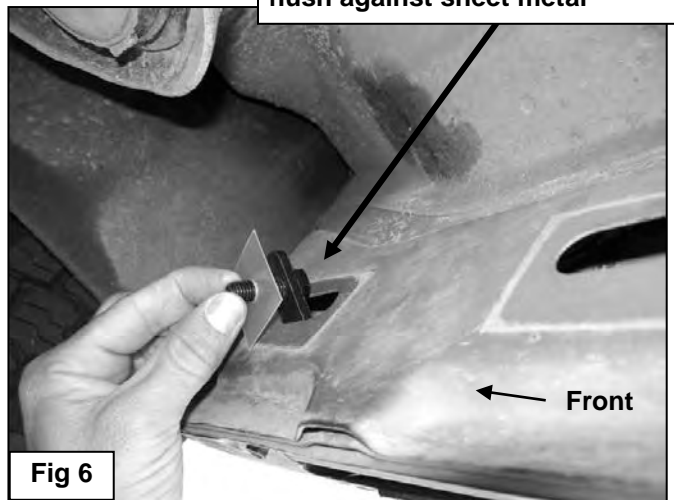
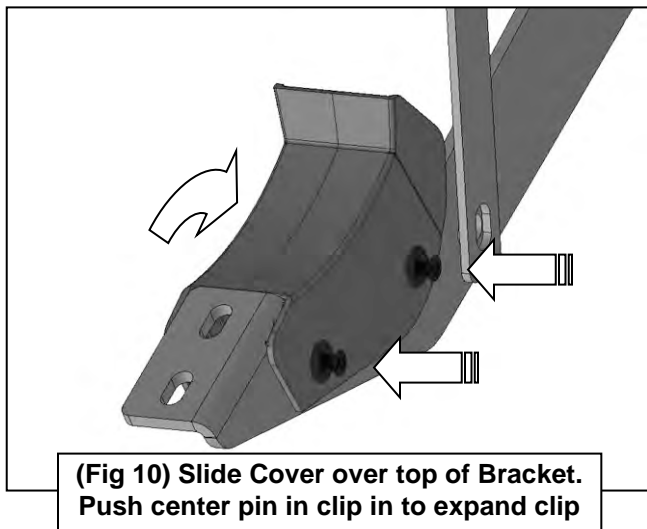
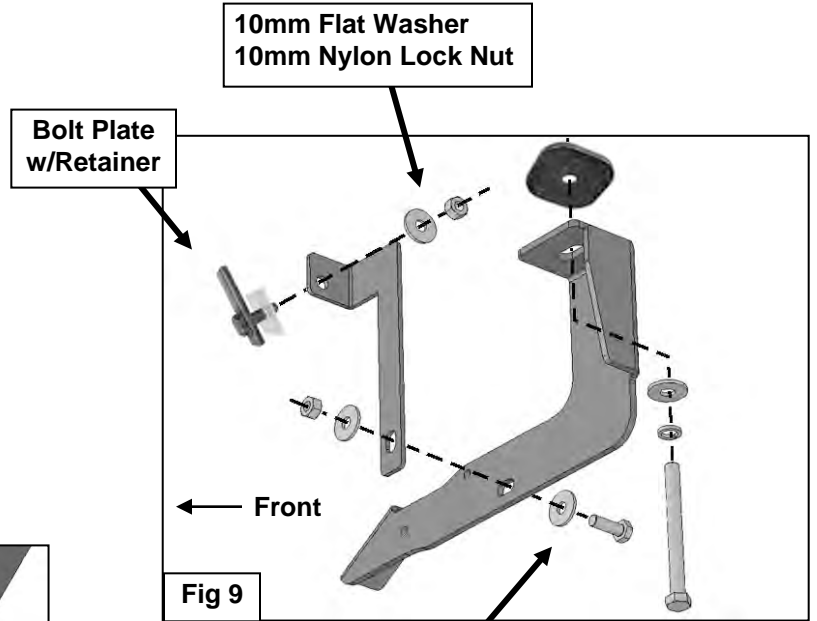
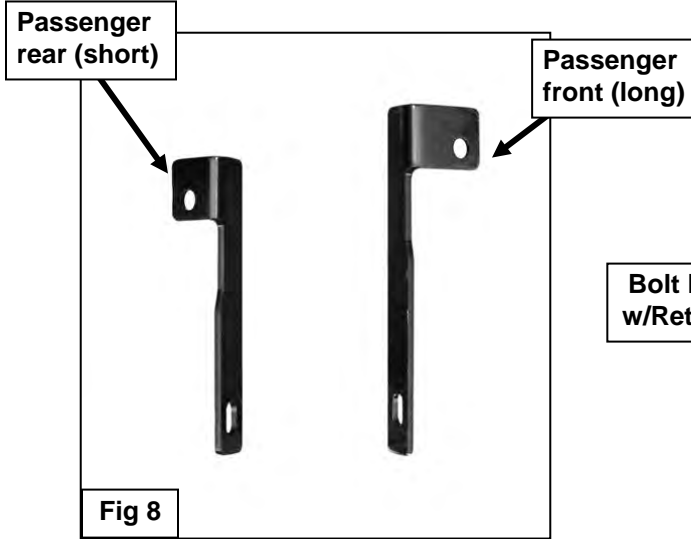


Fig 6

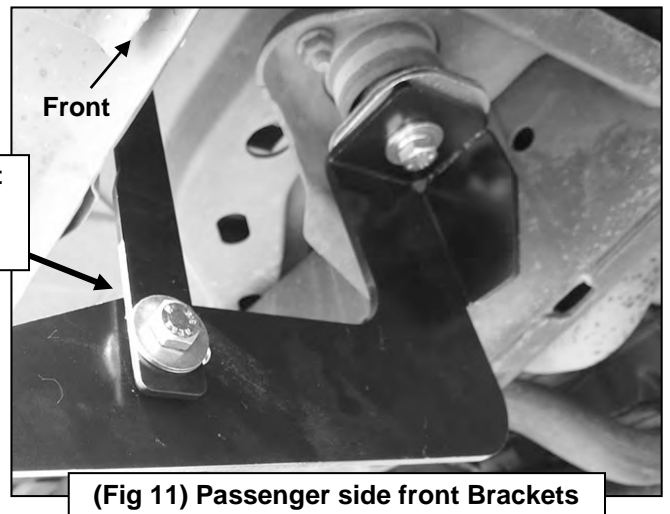


Fig 7

### Passenger Side Installation Pictured



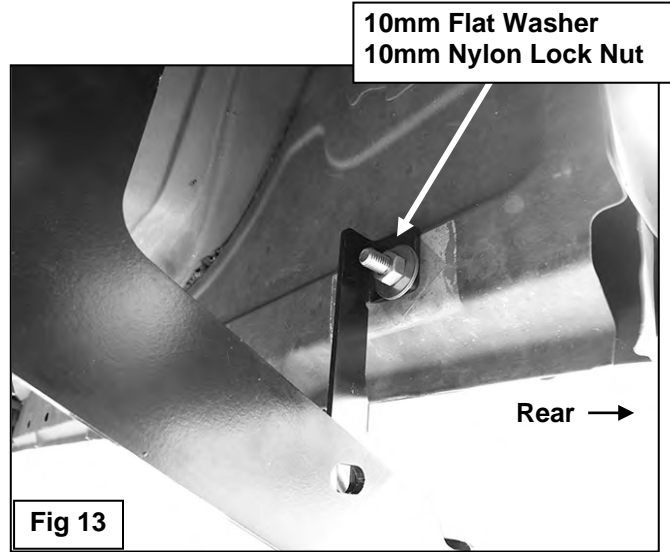
10mm x 30mm Hex Bolt  
(2) 10mm Flat Washers  
10mm Nylon Lock Nut



### Passenger Side Installation Pictured

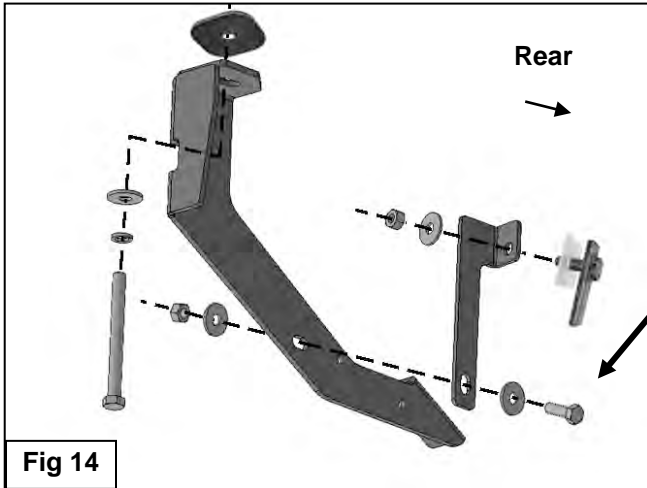


**(Fig 12) Passenger side rear body mount**



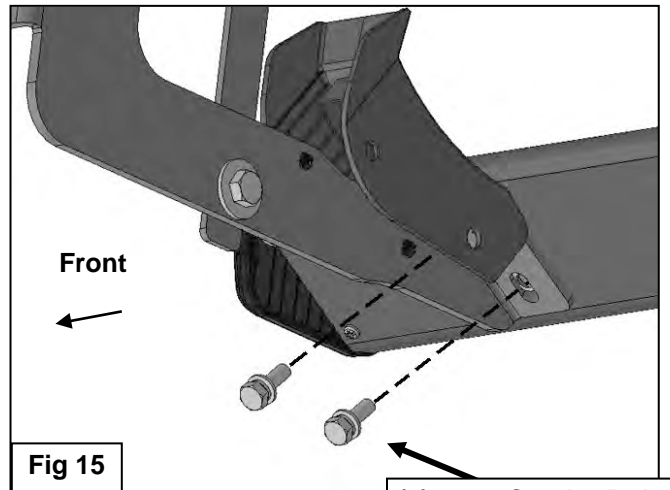
**Fig 13**

**10mm Flat Washer  
10mm Nylon Lock Nut**



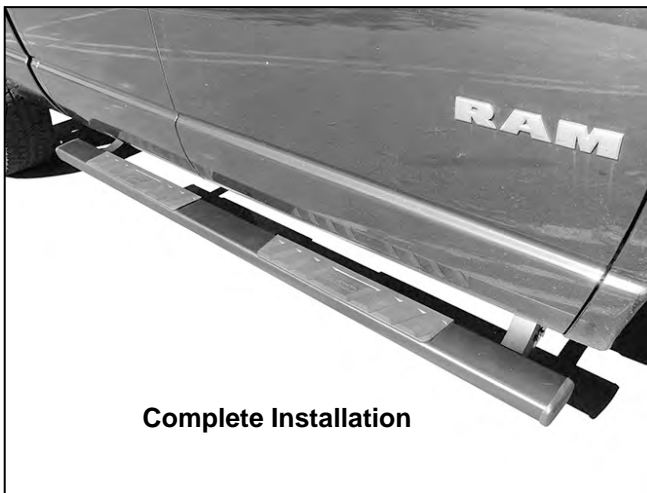
**Fig 14**

**10mm x 30mm Hex Bolt  
(2) 10mm Flat Washers  
10mm Nylon Lock Nut**



**Fig 15**

**(2) 8mm Combo Bolts**



**Complete Installation**