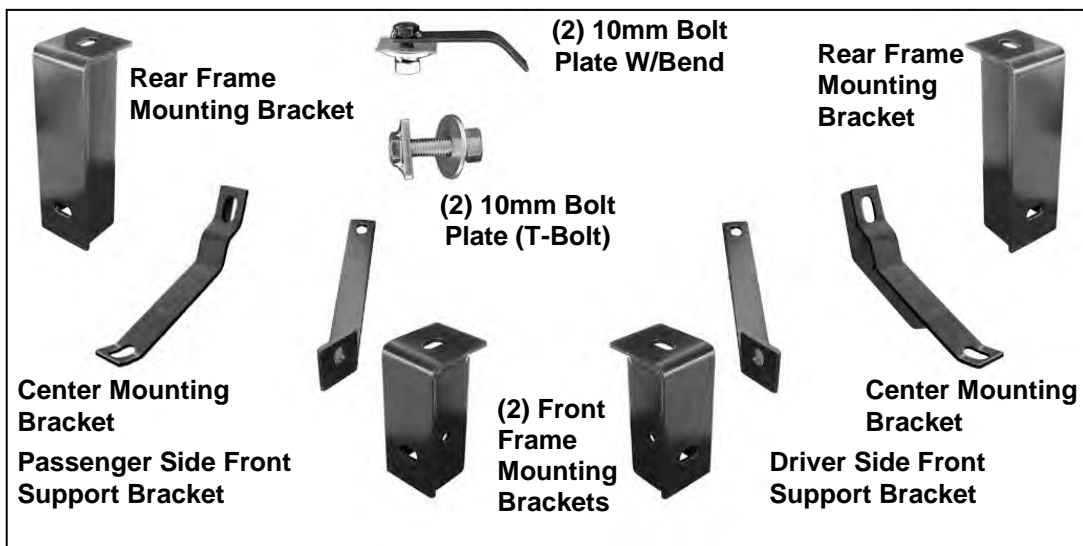




PARTS LIST:

1	Driver/Left Sidebar	4	1/2" x 1-1/2" OD x 1/8" Flat Washers
1	Passenger/Right Sidebar	4	12-1.75mm x 120mm Hex Bolts (Gr 10.9)
2	Front Mounting Brackets	4	12mm ID x 44mm OD x 4mm Fender Washers
2	Center Mounting Brackets	4	12mm Lock Washers
2	Rear Mounting Brackets	2	10mm Plastic Retainers
1	Driver/Left Front Support Bracket	2	10-1.50mm x 40mm Hex Bolts
1	Passenger/Right Front Support Bracket	2	10-1.50mm x 25mm Hex Bolts
2	10-1.50mm x 40mm Bolt Plates (T-Bolt)	8	10mm ID x 27mm OD x 3mm Large Flat Washers
2	10-1.50mm x 25mm Bolt Plates w/ Bend	2	10mm ID x 20mm OD x 2mm Small Flat Washer
4	1/2"-13 x 2" Hex Bolts	8	10mm Lock Washers
4	1/2" Lock Washers	6	10mm Hex Nuts



PROCEDURE:

- REMOVE CONTENTS FROM BOX. VERIFY ALL PARTS ARE PRESENT. READ INSTRUCTIONS CAREFULLY BEFORE STARTING INSTALLATION.**
- Remove the passenger side front and rear body mount bolts. Hang the front and rear Mounting Brackets from the body mounts using the factory hardware or use the included (2) 12mm x 120mm Hex Head Bolts, (2) 12mm Lock Washers, and (2) 12mm Flat Washers, (**Figure 1**). Do not tighten hardware at this time.

IMPORTANT! Depending on model year, the factory body mount bolt may be too short for proper Frame Mounting Bracket installation. If necessary, replace the factory body mount bolts and washers with the supplied 12mm x 120mm Hex Bolts and hardware listed in Step 2. It is the installer's responsibility to determine the correct hardware for proper installation.

- Insert one of the 10mm T-Bolt Plates into the slotted hole in the bottom of frame rail located near the front body mount, (**Figure 2**).
- Select the passenger side front Support Bracket and hang it from the T-Bolt Plate with the included (1) 10mm Large Flat Washer, (1) 10mm Lock Washer and (1) 10mm Hex Nut. Do not tighten hardware at this time (**Figure 3**).
- Attach the opposite end of the Support Bracket to the mounting hole on the side of the front Mounting Bracket using the included (1) 10mm x 40mm Hex Bolt, (1) 10mm x 20mm OD Small Flat Washer (use inside bracket), (1) 10mm Large Flat Washer (use outside bracket), (1) 10mm Lock Washer and (1) 10mm Hex Nut, (**Figure 3 & 5**). Do not tighten hardware at this time.

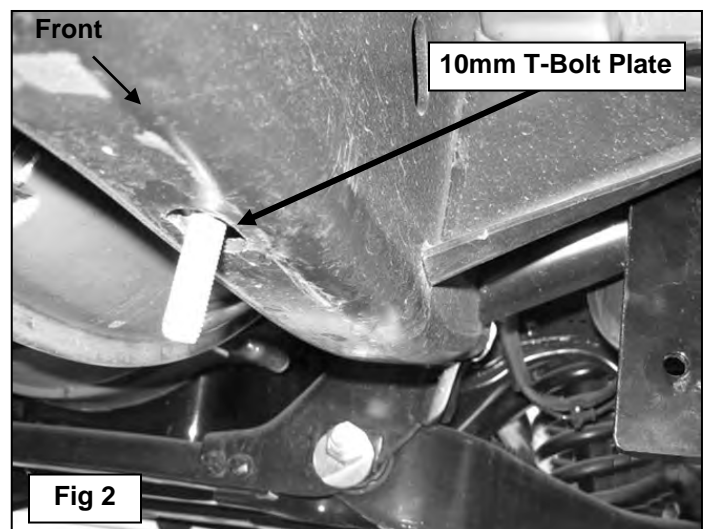
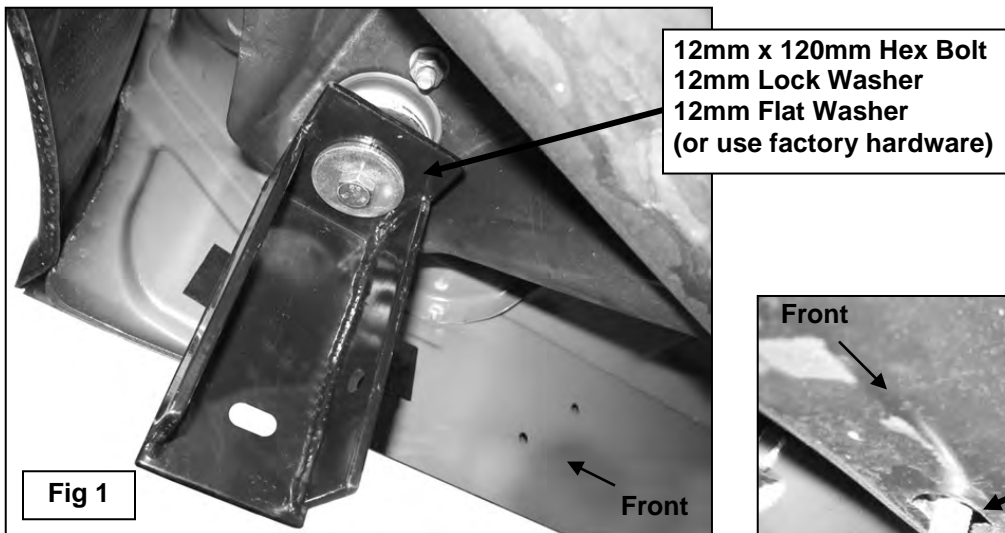
6. Position the passenger Sidebar up to the front and rear Mounting Brackets. Use the included (2) 1/2" x 2" Hex Bolts, (2) 1/2" Lock Washers and (2) 1/2" Flat Washers to attach the Sidebar to the Mounting Brackets, **(Figure 4 & 5)**. Do not tighten hardware at this time.
7. Locate the holes in the side panel (remove sealing tape as necessary) for the Center Mounting Bracket, (typically one slot and two round holes). Insert one of the 10mm Bolt Plates w/ bend into the slotted hole and exit through the round hole, **(Figure 6)**. Thread (1) 10mm Plastic Retainer onto the threaded end of the Bolt Plate to prevent it from falling back into the body panel, **(Figure 7)**. **NOTE:** Some vehicles may have several holes in the side panel. To determine the correct mounting location, position the Center Mounting Bracket up to the threaded insert in the Sidebar and line up the opposite end with the mounting location on the body side panel. If there is no mounting location in line with the threaded inserts, switch sidebars, (driver side for passenger side).
8. Partially attach one of the Center Mounting Brackets to the Bolt Plate w/bend using the included (1) 10mm Large Flat Washer, (1) 10mm Lock Washer and (1) 10mm Hex Nut. Attach the Sidebar to the Center Mounting Bracket with the included (1) 10mm x 25mm Hex Bolt, (1) 10mm Lock Washer and (1) 10mm Large Flat Washer, **(Figure 8)**.
9. Level and align Sidebar properly and tighten all hardware at this time.
10. Repeat steps 2 – 9 for driver Sidebar installation.
11. Do periodic inspections to the installation to make sure that all hardware is secure and tight.

To protect your investment, wax this product after installing. Regular waxing is recommended to add a protective layer over the finish. Do not use any type of polish or wax that may contain abrasives that could damage the finish.

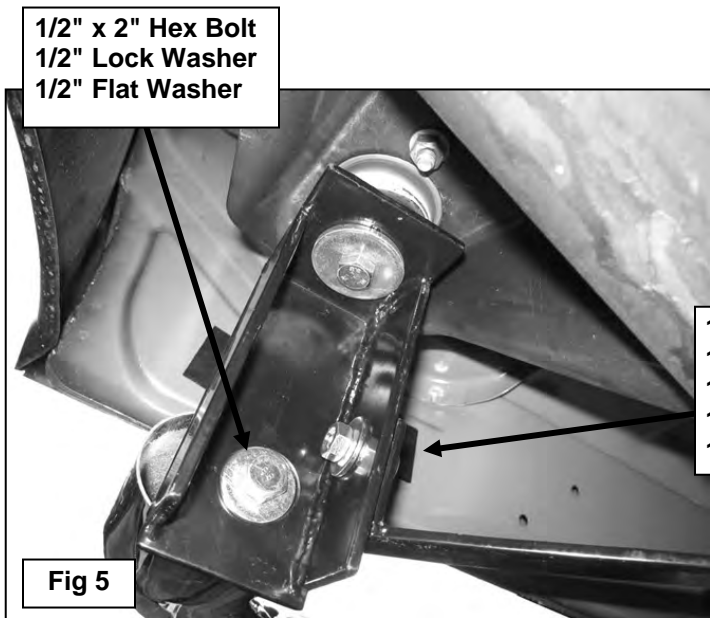
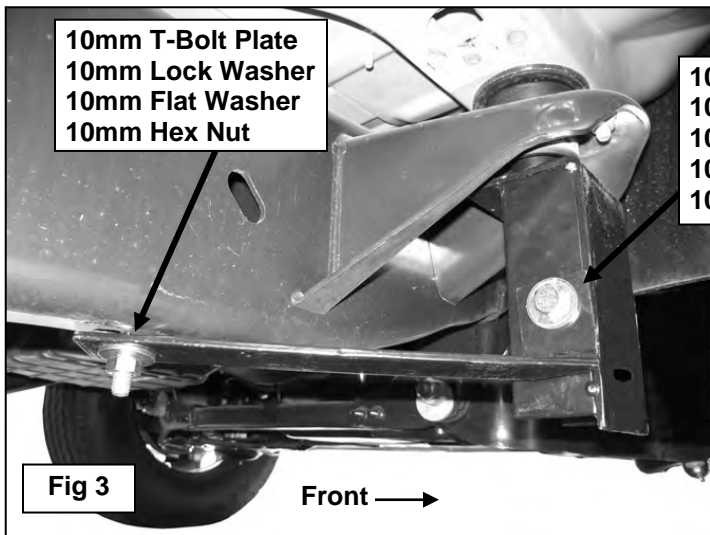
For stainless steel: Aluminum polish may be used to polish small scratches and scuffs on the finish. Mild soap may be used also to clean the Sidebar.

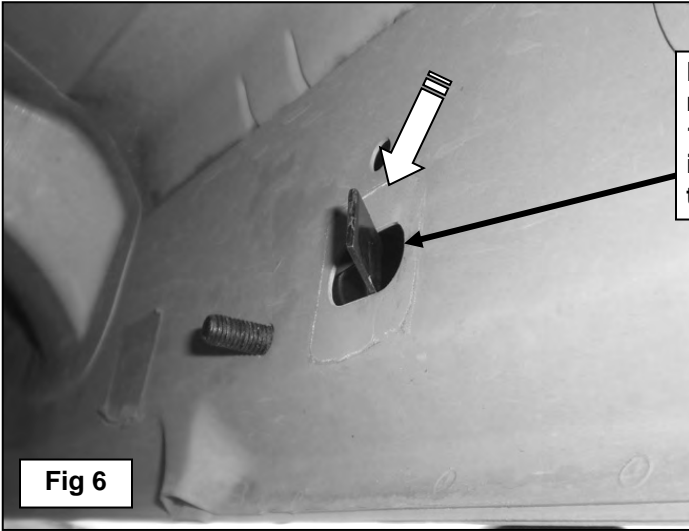
For gloss black finishes: Mild soap may be used to clean the Sidebar.

Passenger Side Installation Pictured



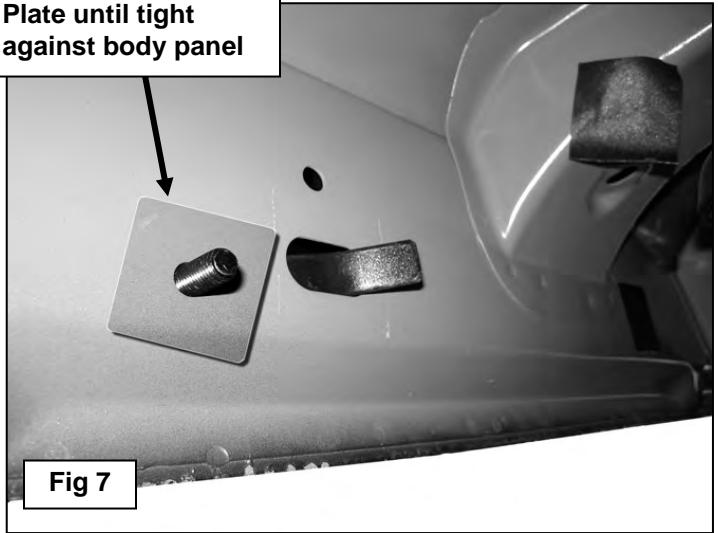
Passenger Side Installation Pictured





Remove tape covering mounting location. Insert 10mm Bolt Plate W/Bend into the oval hole and out the round hole

Thread 10mm Plastic Retainer onto Bolt Plate until tight against body panel



10mm Bolt Plate W/Bend
10mm Lock Washer
10mm Flat Washer
10mm Hex Nut



10mm x 25mm Hex Bolt
10mm Lock Washer
10mm Flat Washer

