

INSTALLATION INSTRUCTIONS

POP-UP LOCKER SIDE RAILS

SERIES #29800



Please note: You must follow these instructions to install the parts correctly otherwise damage may occur.
Read all instructions before installation and check to see if all parts listed are included.

KIT CONTENTS

Item#	Qty	Description
1	4	Pop-Up Locker casting
2	2	Rail tube
3	1	Hardware & bolt kit
4	4	Rubber expander
5	4	Bed cap spacers <i>(if required)</i>

BOLT KIT CONTENTS

Item#	Qty	Description
1	4	5/16" Allen head bolt
2	4	Black plastic oval gasket
3	4	Back plate (flange nut)
4	4	White nylon sleeve
5	4	Full-size tube o-ring

RECOMMENDED TOOLS

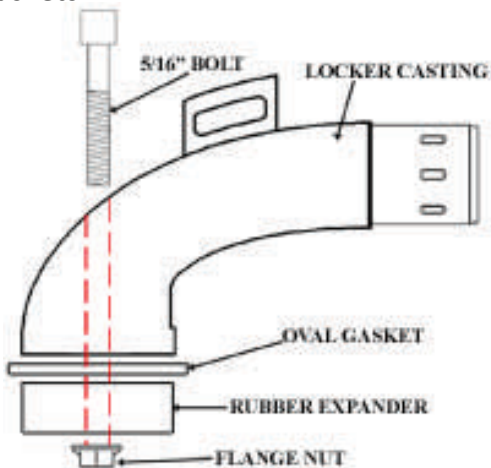
<i>Safety Tools</i>
1. Eye Protection
<i>Special Tools</i>
<i>Installation Tools</i>
1. Allen wrench
<i>Special Chemicals & Solutions</i>
1. High quality automotive wax

LOCKER RAIL CASTING AND TUBE INSTALLATION INSTRUCTIONS

1 Pre-installation preparation.

Verify the kit contents (check against parts listing). Remove the protective wrapping from the castings, tubes, and bolt kit.

2 Assemble the Locker casting with all bolts and gaskets.



Install the Allen head bolt through the hole in the Pop-Up Locker casting, plastic oval gasket, and rubber expander. Screw the threaded back plate onto the bolt and snugly tighten the plate against the rubber expander.

3 Install Pop-Up Locker casting and tubes.

Insert the back plate and rubber expander into the stake pocket hole until the black gasket sits on top of the truck bed. Place an o-ring on the end of the casting and slide a tube over the casting. Slide a standard casting (with an o-ring installed) in the opposite end of the tube. Install a casting in the front stake pocket hole.

Note: Pre-2007 Toyota Tundra trucks require spacers to be placed under the plastic cap at the rear stake pocket holes (two per side).

4 Complete rail casting and tube installation.

Tighten each Allen headed bolt (front and rear castings). Continue tightening the bolts until the rail is securely attached to the truck bed.

Putco recommends applying a high quality automotive wax to maintain the original appearance, help prevent water spotting, and protect against weathering on your new locker side rails.

LIMITED WARRANTY

Putco guarantees its Stainless Steel and Aluminum products against defects in workmanship and material for as long as you own your vehicle. All painted products have a 90 day warranty on the painted surface. Any defects resulting from faulty material or workmanship will be warranted by Putco and repaired or replaced at our discretion. Putco assumes no extra labor costs. Damages caused by freight carriers, improper installation, misuse, collision, or neglect will not be warranted by Putco. Putco is not liable for any vehicle damage resulting from the installation of our Rocket Locker Side Rails.