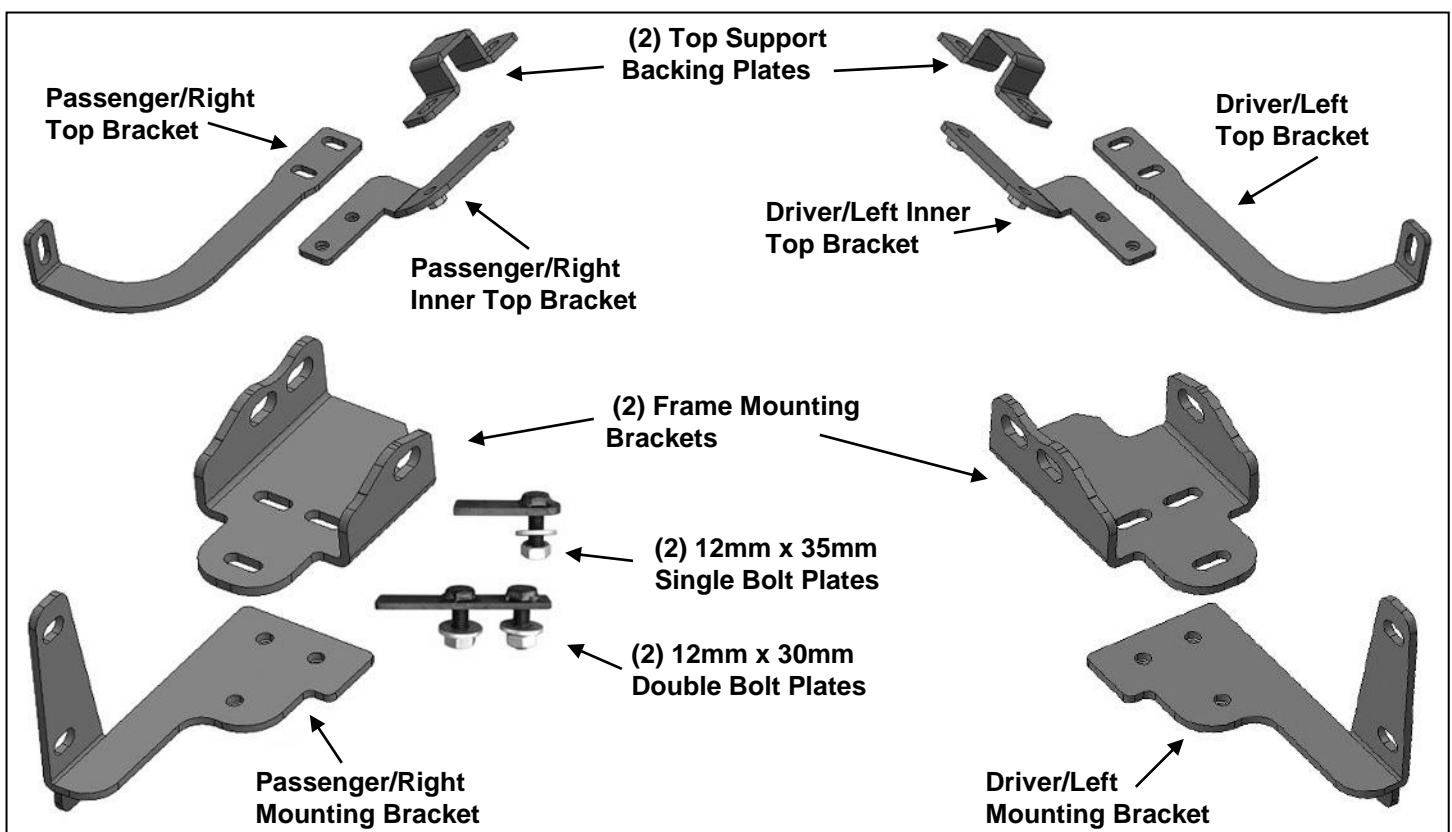


PARTS LIST:

| | | | |
|---|---|----|---|
| 1 | Grille Guard Assembly | 6 | 12-1.75mm Hex Nuts |
| 2 | Frame Brackets | 4 | 10-1.50mm x 30mm Hex Bolts |
| 1 | Driver/Left Mounting Bracket | 8 | 10mm x 27mm OD x 3mm Flat Washers |
| 1 | Passenger/Right Mounting Bracket | 4 | 10mm Lock Washers |
| 1 | Driver/Left Top Bracket | 4 | 10-1.50mm Hex Nuts |
| 1 | Passenger/Right Top Bracket | 2 | 8-1.25mm x 25mm Button Head Allen Bolts |
| 1 | Driver/Left Top Inner Support Bracket | 6 | 8-1.25mm x 30mm Hex Bolts |
| 1 | Passenger/Right Top Inner Support Bracket | 10 | 8mm x 16mm OD x 1.6mm Flat Washers |
| 2 | Top Support Rear Backing Plates | 6 | 8mm Lock Washers |
| 2 | 12-1.75mm x 30mm Double Bolt Plates | 2 | 8-1.25mm Nylon Lock Nuts |
| 2 | 12-1.75mm x 35mm Single Bolt Plates | 8 | 6-1.0mm x 25mm Hex Bolts |
| 6 | 12mm x 24mm OD x 2.5mm Flat Washers | 8 | 6mm x 18mm OD x 1.6mm Flat Washers |
| 6 | 12mm Lock Washers | 8 | 6mm Lock Washers |



PROCEDURE:

REMOVE CONTENTS FROM BOX AND VERIFY ALL PARTS ARE PRESENT. READ INSTRUCTIONS CAREFULLY. CUTTING MAY BE REQUIRED. ASSISTANCE IS HIGHLY RECOMMENDED. INSTALLATION MAY INTERFERE WITH FRONT MOUNTED SENSORS.

1. Open the hood and remove the cover between the top of the radiator and the grille, **(Figure 1)**. Remove the hardware attaching the grille at the top and bottom.
2. Determine if the vehicle is equipped with tow hooks, **(Figure 2)**. **IMPORTANT:** Tow hooks cannot be reinstalled with the Grille Guard.

Tow Hook equipped vehicles:

- a. On 2014-15 models, from behind the bumper, release the clips and hardware to remove the plastic body panel, (facia), on top of the bumper between the bottom of the grille and the top of the bumper, **(Figure 3)**. On 2016-on models, temporarily remove the grille.

- b. Loosen the factory bumper bolts attaching the bumper to the inner bumper bracket bolted to the end of the frame, **(Figure 4)**. **IMPORTANT:** It is not necessary to remove the bumper, only loosen the hardware enough to rotate the bumper to remove the long hex bolts from the tow hooks.
- c. Once tow hooks and hardware have been removed, tighten all factory bumper hardware. On 2014-15 models, reinstall the fascia panel. On 2016 models, reinstall the grille but leave loose.
- d. Proceed to **Step 3**.

Vehicles without tow hooks:

- a. Cut out the indented area in both sides of the plastic bumper insert to clear the Brackets as pictured, **(Figures 5 & 6)**. **IMPORTANT:** Make several small cuts for best fit. Do not cut through the top edge of the panel.
3. Select the driver side Mounting Bracket, **(Figure 7)**. Insert the Bracket through the opening in the bumper, **(Figure 8)**. Trim the plastic as required to clear the Brackets.
 4. Line up the holes in the Bracket with the holes in the end of the frame for the tow hook, **(Figure 8)**. Select (1) 12mm Double Bolt Plate, **(Figure 9)**. Insert the Bolt Plate into the end of the frame, through the (2) holes in the side of the frame and out through the Bracket, **(Figures 9 & 10)**. Secure the Bracket to the Bolt Plate with (2) 12mm Flat Washers and (2) 12mm Nylon Lock Nuts. Snug but do not fully tighten hardware at this time.
 5. Repeat **Step 4** to install the 12mm x 35mm Single Bolt Plate, **(Figure 11)**, into the remaining hole in the other side of the frame channel and Bracket, **(Figures 12 & 13)**.
 6. Next, select the driver side Mounting Bracket. Bolt the Mounting Bracket to the bottom of the Frame Bracket with (3) 8mm x 30mm Hex Bolts, (3) 8mm Lock Washers and (3) 8mm Flat Washers, **(Figures 14 & 15)**. Do not tighten hardware at this time.
 7. Repeat **Steps 3—6** to install the passenger side Frame Brackets.
 8. Move up to the front of the vehicle. Carefully tilt the grille forward to access the area directly in front of the radiator, **(Figure 16)**. **NOTE:** Use a block of wood to hold the grille tilted forward while installing the Top Brackets.
 9. Locate the square tube support braces in front of the radiator running up at an angle from the top of the frame channel to the bottom of the hood release mechanism. Select the driver side Inner Top Bracket and (1) Backing Plate, **(Figure 17)**. Hold the Inner Bracket up to the bottom of the brace tube with the Backing Plate over the top. Bolt the Brackets together around the square tube with (2) 6mm x 25mm Hex Bolts, (2) 6mm Lock Washers and (2) 6mm Flat Washers, **(Figures 17 & 18)**. Leave loose at this time.
 10. Repeat **Step 9** to install the passenger side inner Top Bracket and Backing Plate.
 11. With assistance, hold the Grille Guard up in position on the outside of the Mounting Brackets. Bolt the Grille Guard to the Brackets with (4) 10mm x 30mm Hex Bolts, (8) 10mm Flat Washers, (4) 10mm Lock Washers and (4) 10mm Hex Nuts, **(Figure 19)**. Do not tighten hardware at this time.
 12. Check the Grille guard alignment with the vehicle. Adjust as required then tighten first the Frame Bracket hardware then the (6) 8mm Hex Bolts securing the Mounting Brackets to the bottom of the Frame Brackets. Do not fully tighten the Grille Guard to Bracket hardware at this time.
 13. Select the driver side Outer Top Bracket, **(Figure 20)**. Insert the Outer Bracket through the grille and up to the Inner Top Bracket assembly, **(Figures 21 & 22)**. Slide the inner Bracket assembly up or down the tube to match up with the Outer Top Bracket. Bolt the Outer Bracket to the top of the Inner Bracket with (2) 6mm x 25mm Hex Bolts, (2) 6mm Lock Washers and (2) 6mm Flat Washers. Leave hardware loose at this time.
 14. Line up the outer bent end of the Top Bracket with the hole in the Grille Guard upright. Attach the Outer Top Bracket to the upright with (1) 8mm x 25mm Button Head Bolt, (2) 8mm Flat Washers and (1) 8mm Nylon Lock Nut, **(Figure 23)**.

15. Repeat **Steps 13 & 14** for passenger side Top Bracket installation, (**Figures 23**).
16. Level and adjust the Grille Guard and fully tighten all hardware. **IMPORTANT:** Adjust the position of the Top Brackets so that they cannot come in contact with the plastic grille, (**Figure 22**).
17. Reattach the grille and reinstall the top plastic cover.
18. Do periodic inspections to the installation to make sure that all hardware is secure and tight.

To protect your investment, wax this product after installing. Regular waxing is recommended to add a protective layer over the finish. Do not use any type of polish or wax that may contain abrasives that could damage the finish.

For stainless steel: Aluminum polish may be used to polish small scratches and scuffs on the finish. Mild soap may be used also to clean the Grille Guard.

For gloss black finishes: Mild soap may be used to clean the Grille Guard.

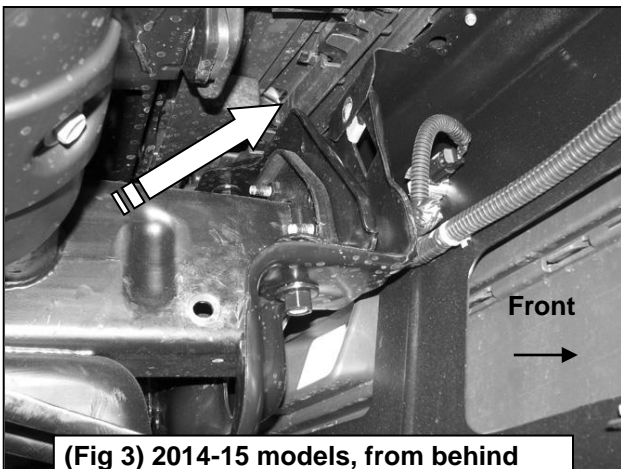
Driver Side Mounting Bracket Installation Pictured



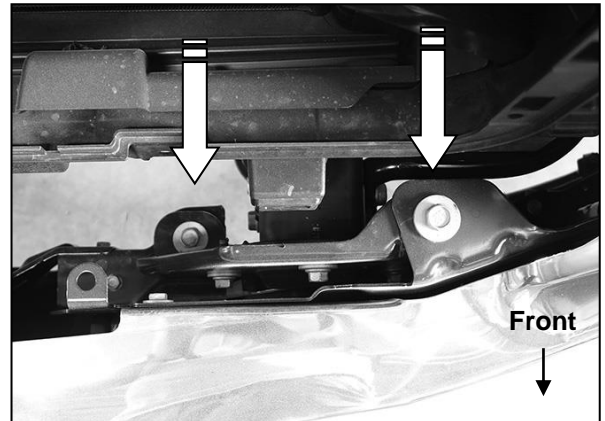
(Fig 1) Remove plastic cover from top of grille



(Fig 2) Example of model equipped with tow hook



(Fig 3) 2014-15 models, from behind the bumper, remove the clips securing the fascia to the top of the bumper

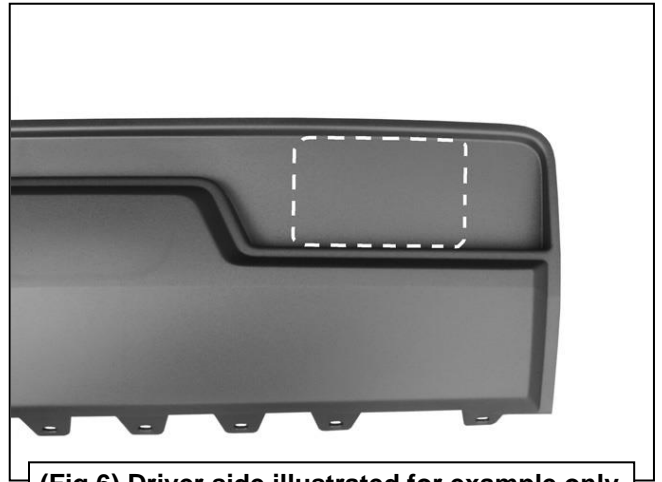


(Fig 4) Bumper bolt locations from above (arrows) with grille removed (2016 model). On 2014-15 models only remove plastic fascia panel to access bumper bolts as necessary

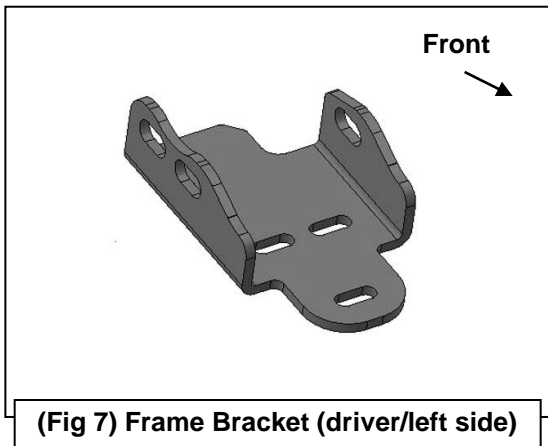
Driver Side Mounting Bracket Installation Pictured



(Fig 5) "No tow hook" model pictured

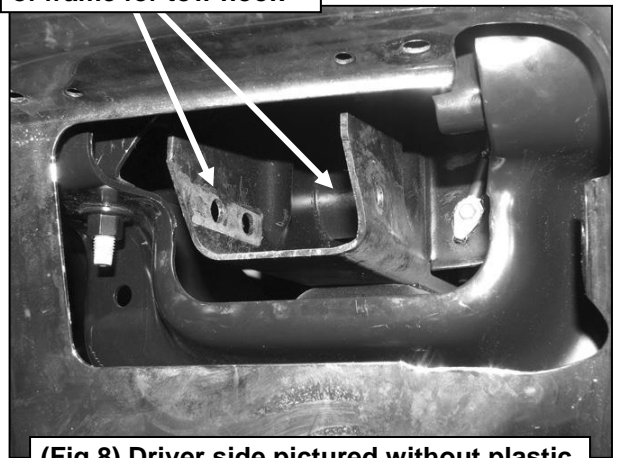


(Fig 6) Driver side illustrated for example only



(Fig 7) Frame Bracket (driver/left side)

Mounting holes in end
of frame for tow hook



(Fig 8) Driver side pictured without plastic panel for instruction purposes only

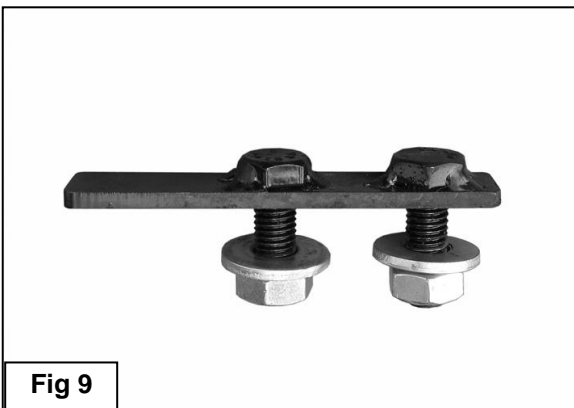
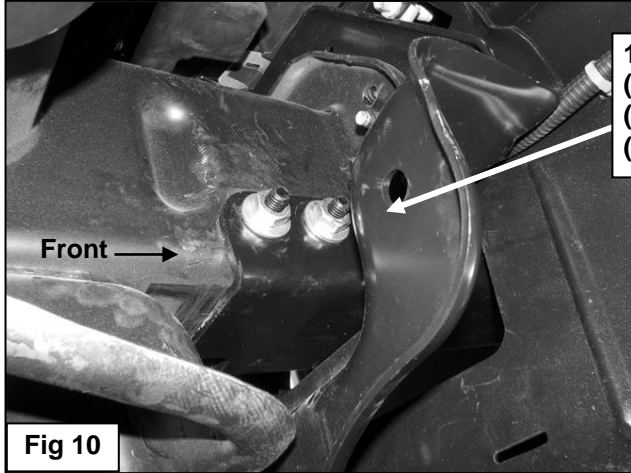


Fig 9

Driver Side Mounting Bracket Installation Pictured

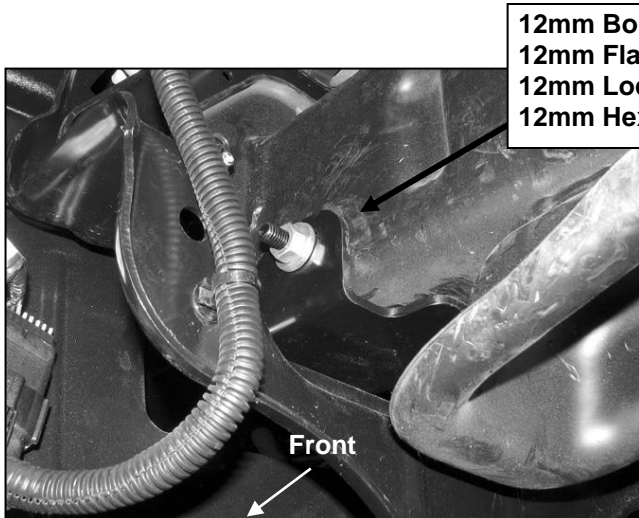


12mm Double Bolt Plate
(2) 12mm Flat Washers
(2) 12mm Lock Washers
(2) 12mm Hex Nuts

Fig 10

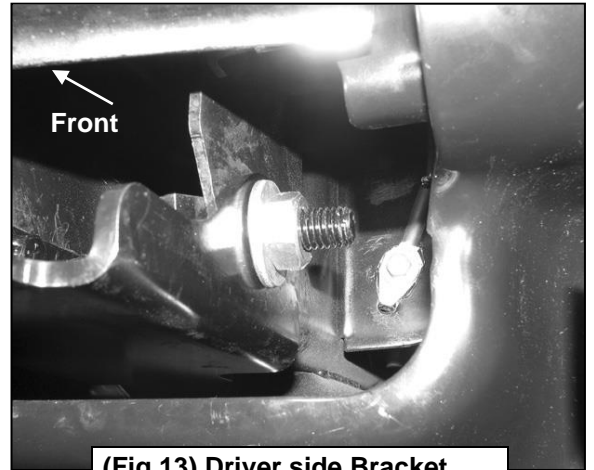


Fig 11

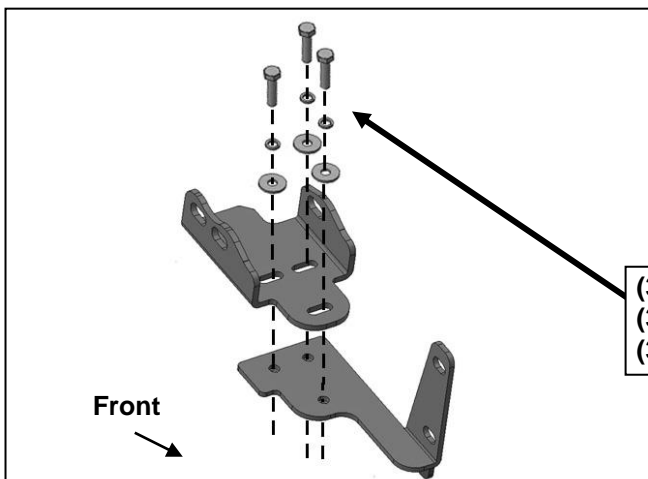


12mm Bolt Plate
12mm Flat Washer
12mm Lock Washer
12mm Hex Nut

(Fig 12) Driver side Bracket installation pictured



(Fig 13) Driver side Bracket installation pictured from front

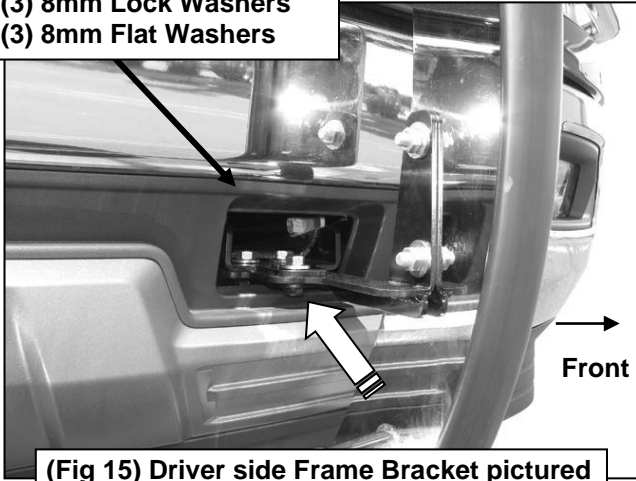


(3) 8mm 30mm Hex Bolts
(3) 8mm Lock Washers
(3) 8mm Flat Washers

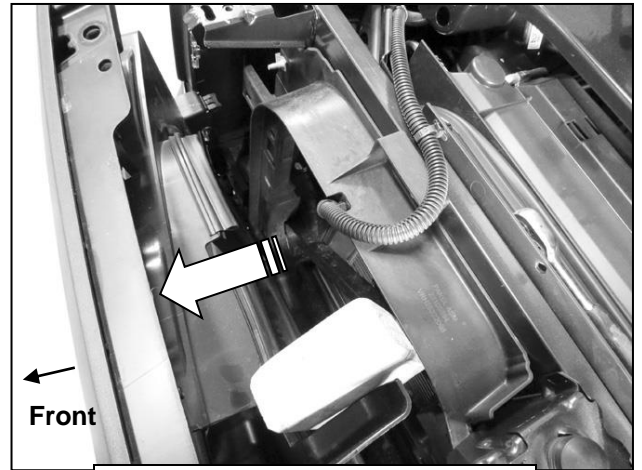
(Fig 14) Driver side Frame Mounting Brackets

Driver Side Mounting Bracket Installation Pictured

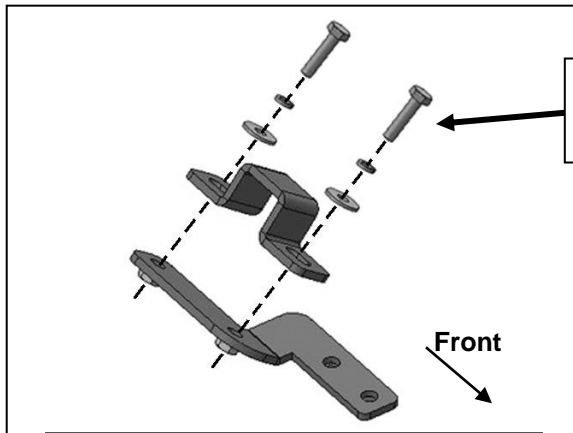
- (3) 8mm 30mm Hex Bolts
- (3) 8mm Lock Washers
- (3) 8mm Flat Washers



(Fig 15) Driver side Frame Bracket pictured with Grille Guard for instructions only

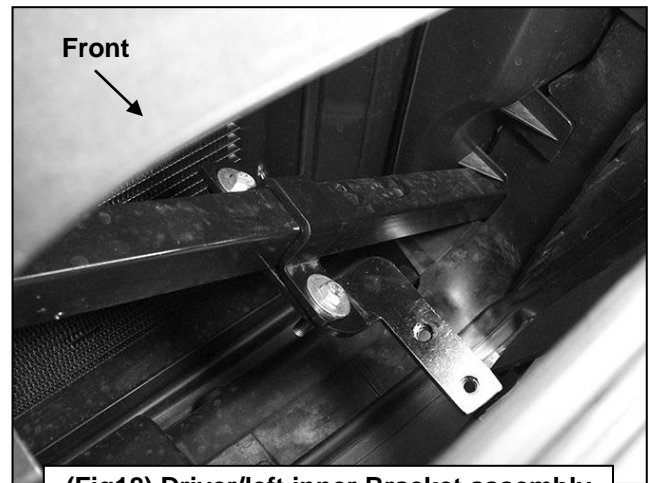


(Fig 16) Tilt grille forward. Block used to hold grille in position



- (2) 6mm x 25mm Hex Bolts
- (2) 6mm Lock Washers
- (2) 6mm Flat Washers

(Fig 17) Driver side inner Top Bracket and Backing Plate illustrated



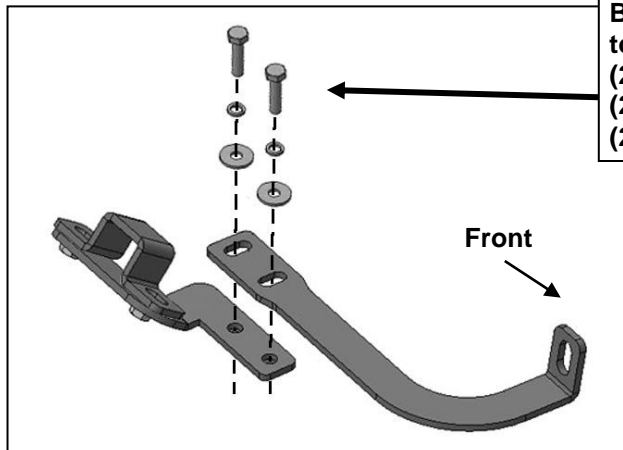
(Fig 18) Driver/left inner Bracket assembly



- (2) 10mm x 30mm Hex Bolts
- (4) 10mm Flat Washers
- (2) 10mm Lock Washers
- (2) 10mm Hex Nuts

(Fig 19) Attach Grille Guard to Mounting Brackets

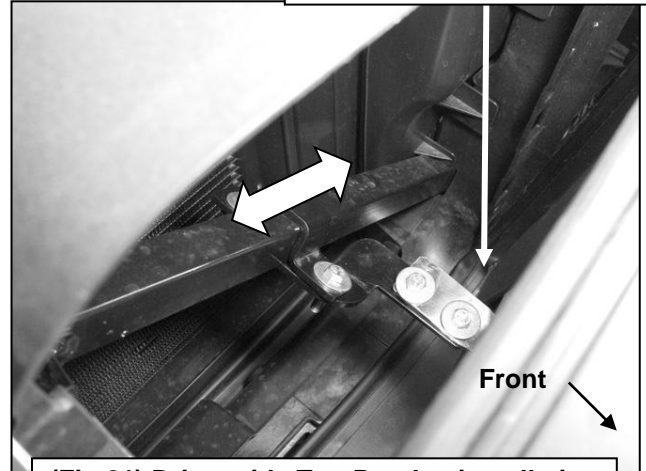
Driver Side Installation Pictured



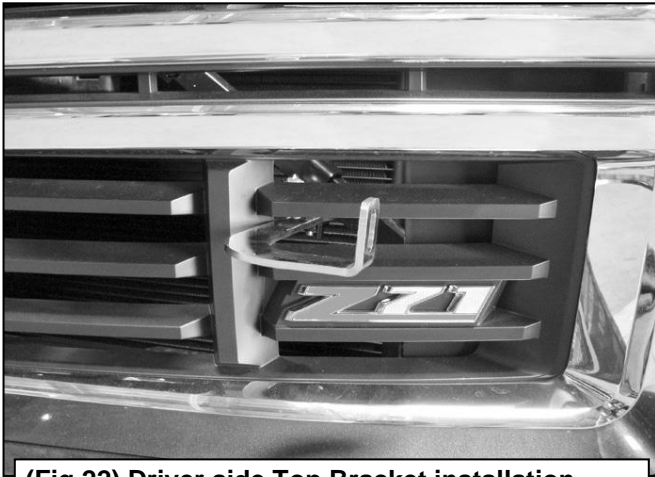
Bolt the Top Outer Bracket to the Inner Bracket with:
(2) 6mm x 25mm Hex Bolts
(2) 6mm Lock Washers
(2) 6mm Flat Washers

(2) 6mm x 25mm Hex Bolts
(2) 6mm Lock Washers
(2) 6mm Flat Washers

(Fig 20) Driver side Top Outer Bracket installation

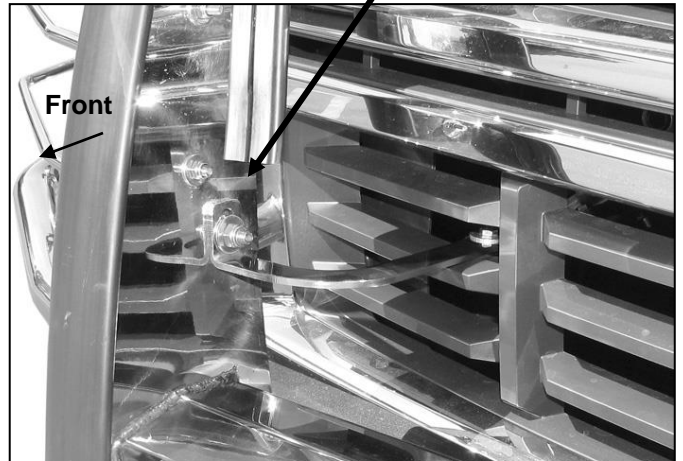


(Fig 21) Driver side Top Bracket installation



(Fig 22) Driver side Top Bracket installation pictured. Adjust position so that Bracket cannot come in contact with plastic grille (see Fig 21)

(1) 8mm Button Head Bolt
(2) 8mm Flat Washers
(1) 8mm Nylon Lock Nut



(Fig 23) Passenger side outer Top Bracket pictured. Adjust position so that Bracket cannot come in contact with plastic grille (see Fig 21)

