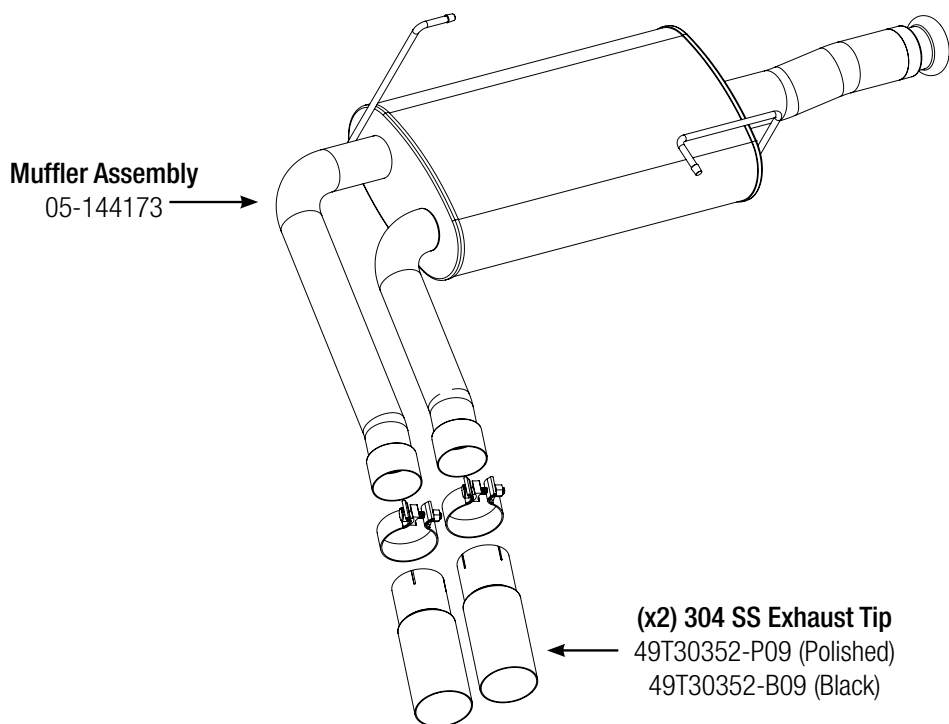




INSTALLATION INSTRUCTIONS

MAKE: GM
MODEL: Silverado 1500 / Sierra 1500
YEAR: 2009-2016
ENGINE: V6-4.3L & V8-4.8L/5.3L
WHEELBASE: Reg. Cab/Short Bed (119" w/ 6.6 ft. Bed)

Cat-Back
409 Stainless Steel
49-44070-B (Black Tips)
49-44070-P (Polished Tips)



- Isolation Mount
← 05-46050
- Hanger, Bracket
← 05-46211
- Screw, 7/16" (x1)
← 03-50209
- Washer, 7/16"
← 03-50477

Caution: Allow time for your vehicle to cool down prior to installation. When working on or under your vehicle proceed with caution. Exhaust systems reach high temperatures and may cause serious burns. Wear protective safety equipment; eye goggles and gloves to ensure a safe installation.

- Step 1:** Read Instructions prior to installation.
- Step 2:** Secure vehicle on jack stands (refer to your manual for specified jack stand positions.)
- Step 3:** Remove your stock exhaust system (note: this system is one piece, you may need to remove the bottom bolt of the right rear shock).
- Step 4:** Install supplied hanger bracket assembly over vehicle cross member, this assembly will properly slip into place as shown on **(Figure A)**. Secure this assembly by using supplied hardware. Place the washer over the bolt; tighten the bolt to the bracket assembly. Once fully tightened, place provided nut over the bracket on the topside of the cross member. Fasten the nut to the exposed bolt thread
- Step 5:** Remove the stock spherical ball clamp from your stock exhaust. You will have to release the locking tab with a small screw driver. Place the stock spherical ball clamp over the front pipe of your aFe Power Exhaust.
- Step 6:** Install provided isolation mount onto the front hanger, then install one OE isolation mount onto the provided bracket.
- Step 7:** Install the aFe Rebel system onto the provided hanger bracket.
- Step 8:** Install tips to desired location, align and then tighten the front ball clamp and the tips.
- Step 9:** Congratulations, Your system is now complete and fully installed! It is recommended to re-tighten all clamps and bolts after 50-100 miles.

(Figure A.)



NOTES:

- aFe recommends that the tailpipe be at least 1/2"-1" away from any body panels to avoid heat related body damage. **Tighten and secure.**
- It is normal for your exhaust system to emit smoke for the first few minutes upon initial start-up.