



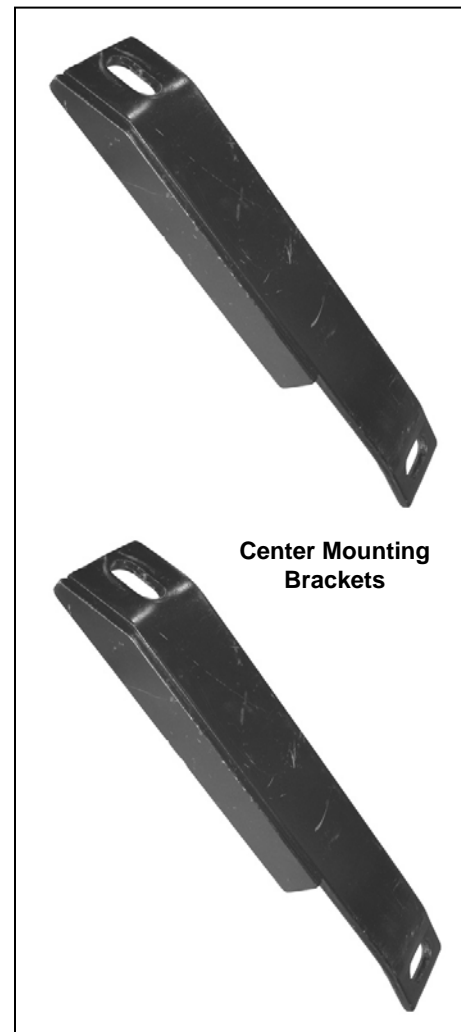
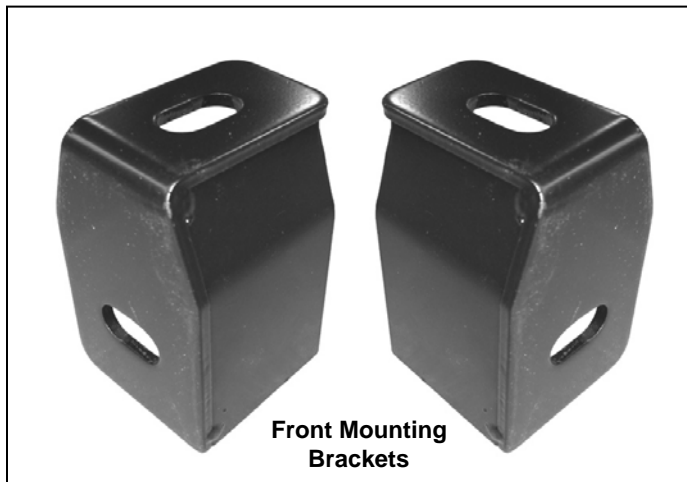
INSTALLATION INSTRUCTIONS

PART#:9B035701A1SS\9B035701B1A
SIDE BAR FOR 99-08 CHEVY SILVERADO 1500/2500 EXT CAB

TEL:1-866-XANATOS

PARTS LIST:

1	Driver/Left Sidebar	4	1/2" x 2" Hex Head Bolts
1	Passenger/Right Sidebar	4	1/2" Lock Washers
2	Front Mounting Brackets	4	1/2" ID x 1 3/8" OD x 3/32" Flat Washers
2	Center Mounting Brackets	2	10-1.50mm x 25mm Hex Head Bolts
2	Rear Mounting Brackets	2	10mm Lock Washers
		2	10mm ID x 26mm OD x 1.5mm Flat Washers



PROCEDURE:

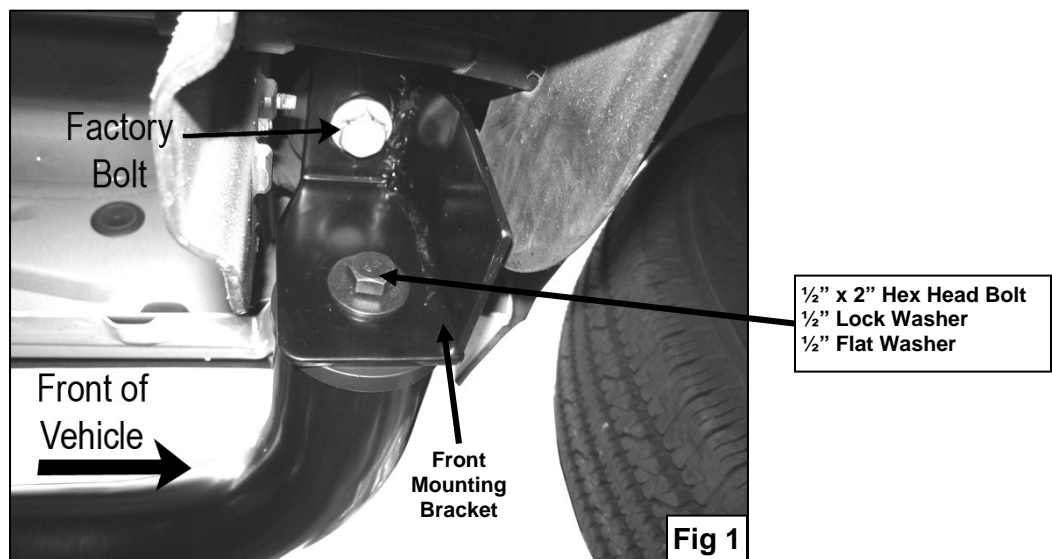
1. REMOVE CONTENTS FROM BOX. VERIFY ALL PARTS ARE PRESENT. READ INSTRUCTIONS CAREFULLY BEFORE STARTING INSTALLATION.
2. From underside of vehicle, remove the driver side body mount bolts. **NOTE:** Do not remove body mount bushings.
3. Partially install front, center, and rear Mounting Brackets to vehicle using the factory body mount bolts removed in step two. **NOTE:** Make sure that the support brace on the Front Mounting Bracket is towards the front of the vehicle and the support brace on the center Mounting Bracket is towards the body mount.
4. With help position Side Bar onto Mounting Brackets. Attach front and rear Mounting Brackets to Sidebar using the included (2) $\frac{1}{2}$ " x 2" Hex Head Bolts, (2) $\frac{1}{2}$ " Flat Washers, and (2) $\frac{1}{2}$ " Lock Washers. Do not tighten at this time.
5. Attach center Mounting Bracket to Sidebar using the included (1) 10-1.50mm x 25mm Hex Head Bolt, (1) 10mm Flat Washer, and (1) 10mm Lock Washer. Do not tighten at this time.
6. Level and adjust Side Bar properly; and then tighten all hardware at this time.
7. Repeat steps 2-6 for passenger Sidebar.
8. Do periodic inspections to the installation to make sure that all hardware is secure and tight.

To protect your investment, wax this product after installing. Regular waxing is recommended to add a protective layer over the finish. Do not use any type of polish or wax that may contain abrasives that could damage the finish.

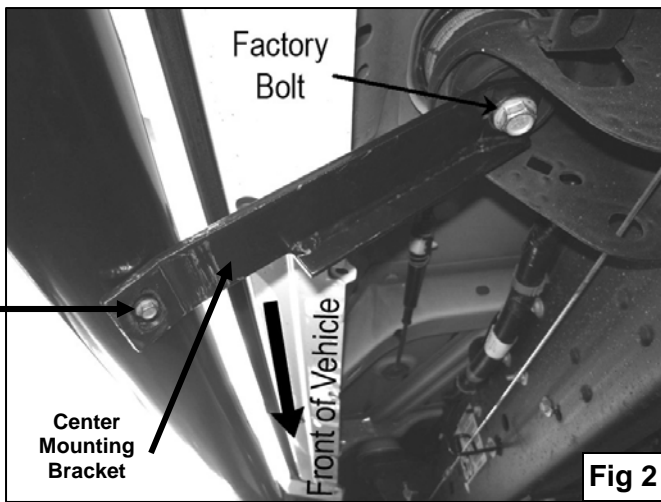
For stainless steel: Aluminum polish may be used to polish small scratches and scuffs on the finish. Mild soap may be used also to clean the Taillight Guard.

For gloss black finishes: Mild soap may be used to clean the Taillight Guard.

(Driver Side Installation Shown)



10mm x 25mm Hex Head Bolt
10mm Lock Washer
10mm Flat Washer



1/2" x 2" Hex Head Bolt
1/2" Lock Washer
1/2" Flat Washer

