

ADDICTIVE DESERT DESIGNS

2016 – Current Chevy 1500 HoneyBadger Front Bumper Installation Instructions

PREPARATION

1. Disconnect the negative terminal on the battery. Park the vehicle on level ground and set the emergency brake.
2. We recommend reading through the installation instructions in whole before performing the work.
3. Estimated Installation Time: **2 Hours**
4. You will need the following tools:
 - a. Ratchet
 - b. 10mm Socket
 - c. 15mm Socket
 - d. 18mm Socket
 - e. Cutoff Wheel
 - f. Grinding Wheel
 - g. Black Paint
 - h. 3/4" Socket and Wrench
 - i. 3/16" Allen Wrench or Allen Key Socket
 - j. 1/2" Wrench
 - k. 1/2" Drill Bit
 - l. Drill

Note: this installation requires 2 people for best results

5. Included in Kit:
 - 6** Hex Head Bolts – 1/2"-13 x 1 1/2"
 - 20** Washers – 1/2"
 - 10** Lock Nuts – 1/2"-13
 - 2** Hex Head Bolts – 1/2"-13 x 5"
 - 2** Hex Head Bolts – 1/2"-13 x 5 1/2"

REMOVAL

1. Underneath the truck, unplug the main fog light harness connector. (Fig A)

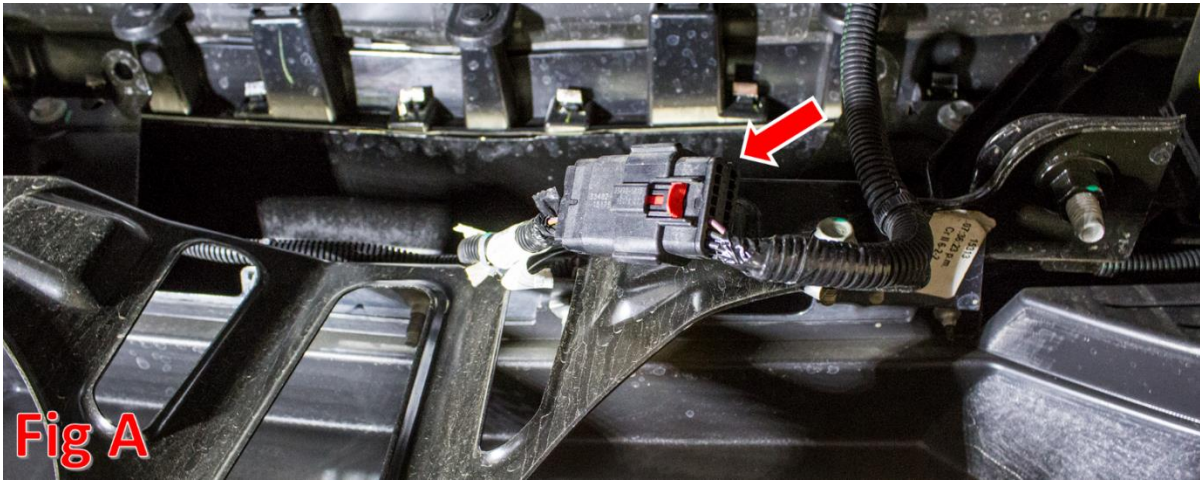


Fig A

2. Under the hood of your truck, remove the plastic clips (x12) that hold on the radiator cover. Once the clips are gone, remove the radiator cover. Save the plastic clips you remove in this step. (Fig B)

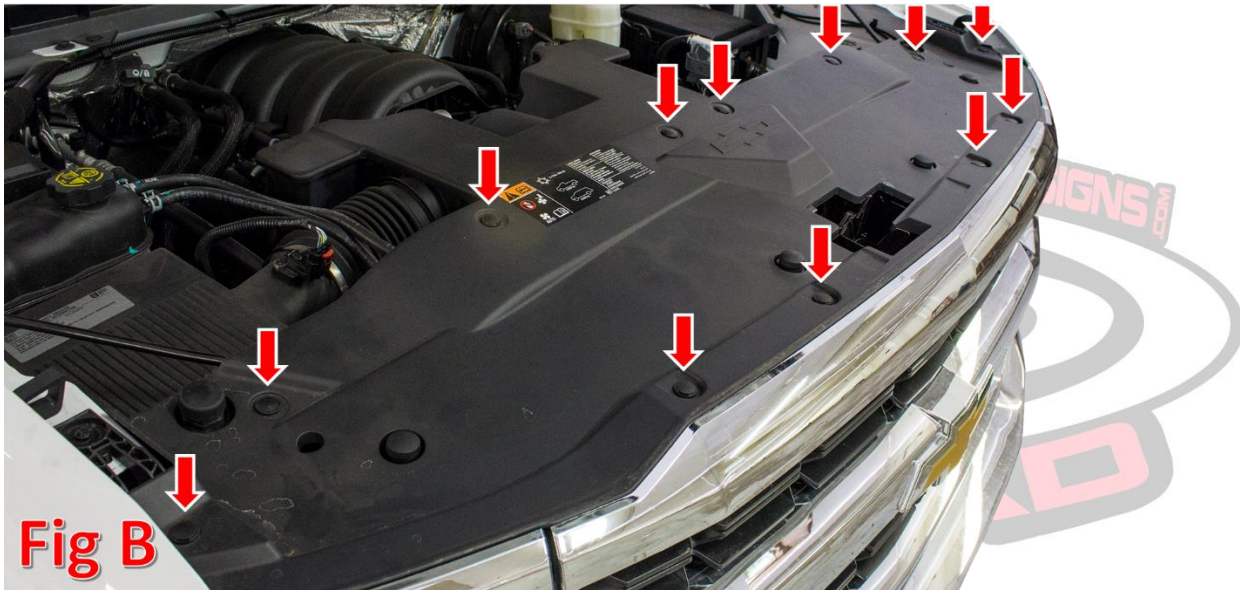


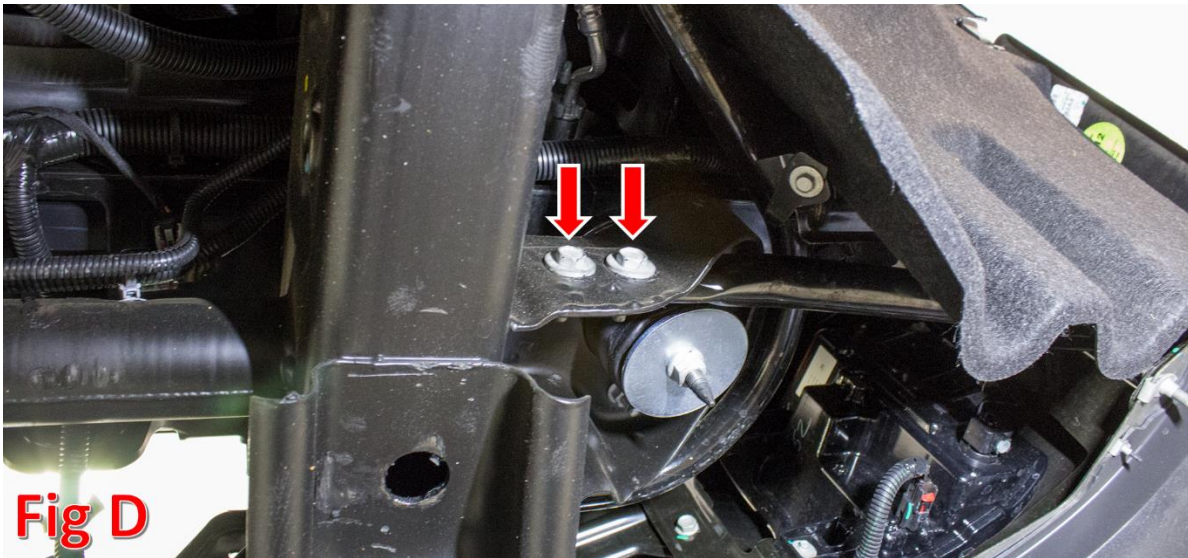
Fig B

3. Underneath the radiator cover, there are four 10mm bolts that need to be removed. Once these bolts are removed, carefully pull the grill off the vehicle. Save the bolts you remove in this step. (Fig C)

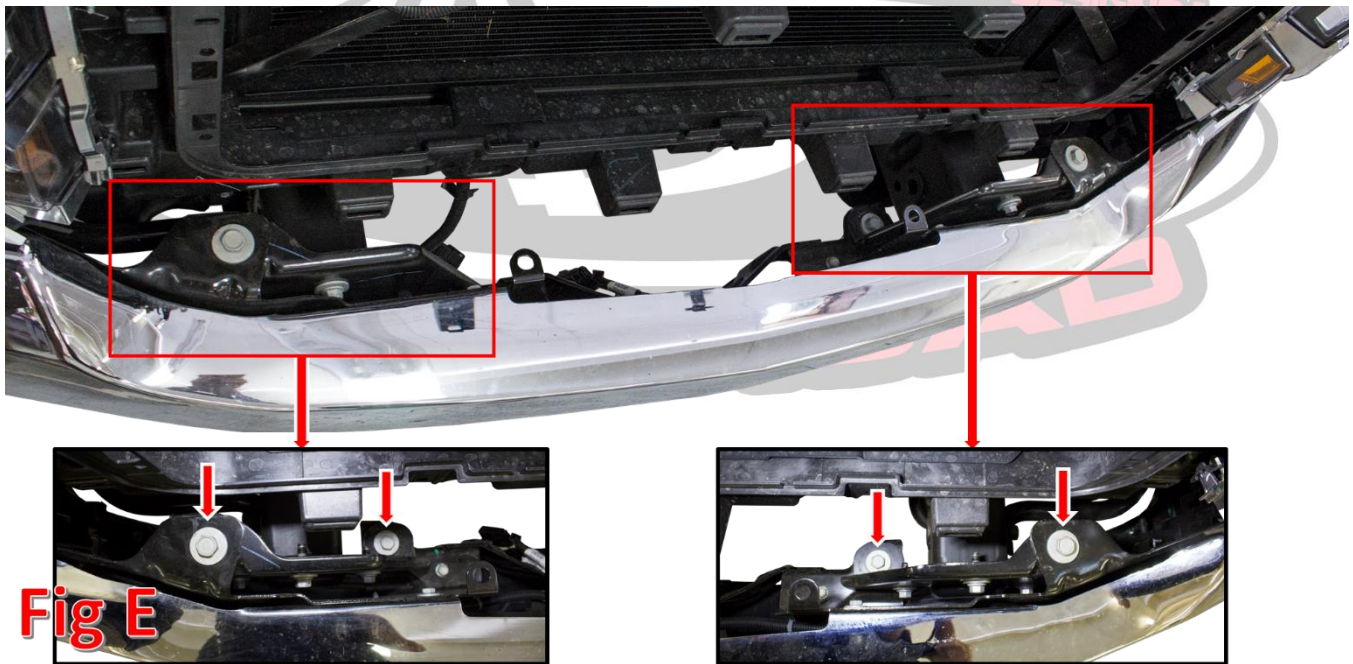


Fig C

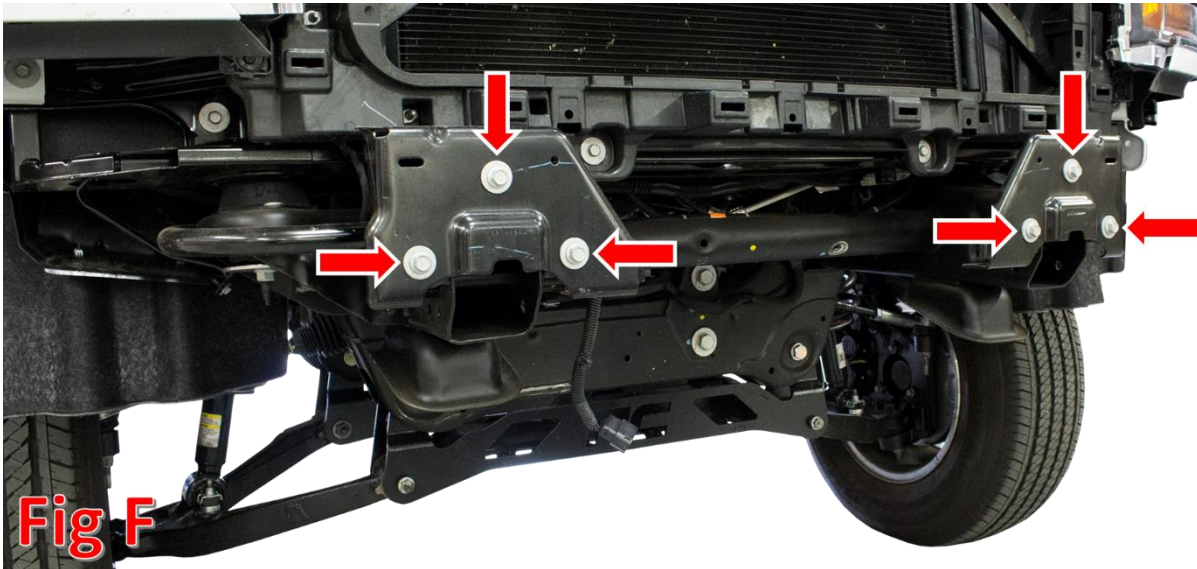
4. Underneath the vehicle, towards the wheel well, you will find the bumper side support bar. Remove the two 15mm bolts holding this bar to the frame. Repeat this step on the other side of the vehicle. (Fig D)



5. There are two 18mm bolts per side that hold the bumper to its mounting bracket. Remove these bolts (x4), then remove the bumper from the vehicle. (Fig E)



6. Remove the 15mm bolts (x3) that hold each bumper bracket to the frame horns. Save these bolts for reuse. With the bolts removed, take off each bracket.



7. Carefully press your grill back onto the vehicle until you hear it click into place.
8. Reinstall the bolts you removed in Removal Step 3.
9. Place the radiator cover back in place, then reinstall the plastic clips you removed in Removal Step 2. Your vehicle should now look like the truck in Fig G.



10. Prepare to install your new ADD HoneyBadger Front Bumper.

INSTALLATION

1. Cut off the two bells on your frame, just behind the bumper mounting horns. There are two welds (one along each side) holding on each bell. With a cutoff wheel, cut through those welds. Once you cut through both welds, the bells will come off. Make sure to grind your frame smooth and paint over any exposed metal. (Fig H)

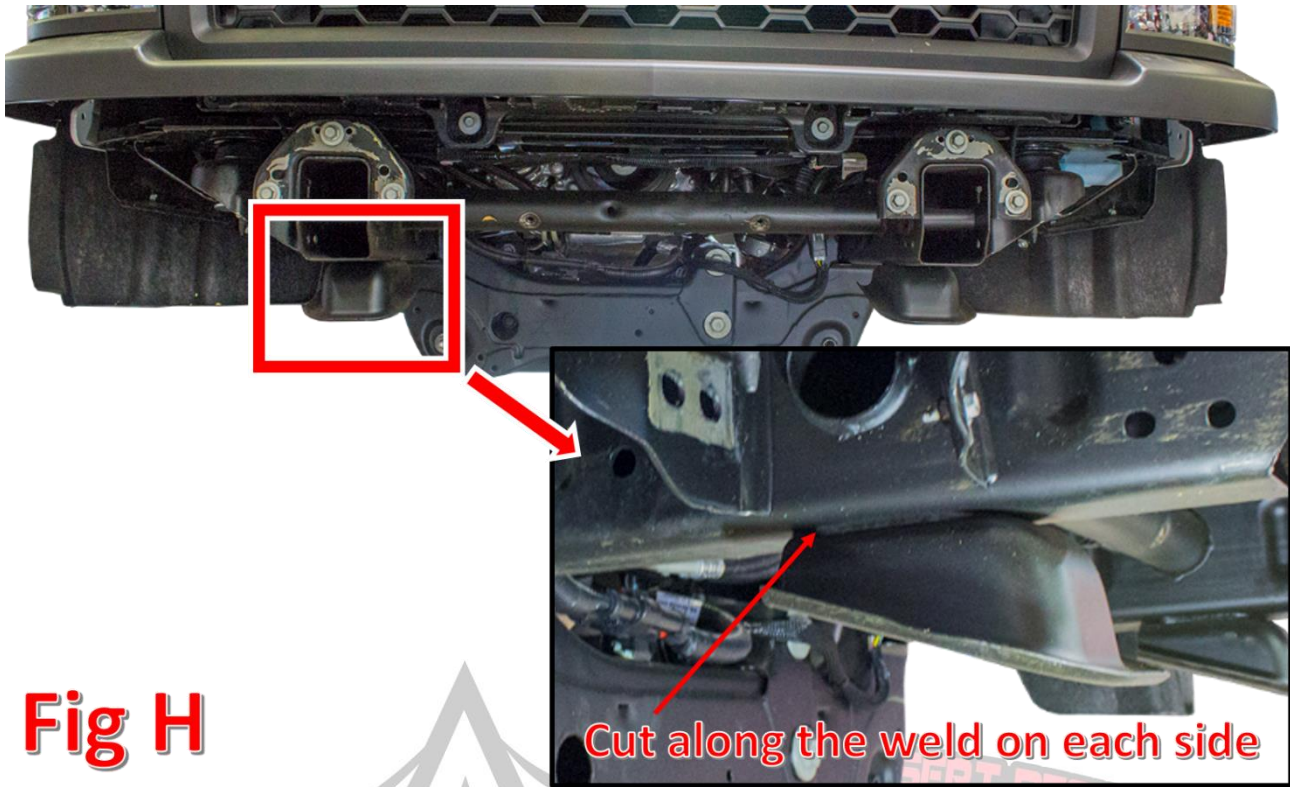


Fig H

2. If you have any lights/winch to install on your bumper, now is a good time to do so. Please follow the light/winch manufacturer's installation instructions for wiring and mounting information.
3. Loosely bolt the bumper mounting plates to your frame horns using the OEM hardware you removed in Removal Step 6 and the supplied 1/2 x 5" Bolts (x2), 1/2" Washers (x4), and 1/2" Nuts (x2). (Fig I) Use a 15mm Socket to tighten the OEM bolts to OEM torque specs. Use a 3/4" Socket to tighten the supplied 1/2" Bolts to 70 foot pounds.

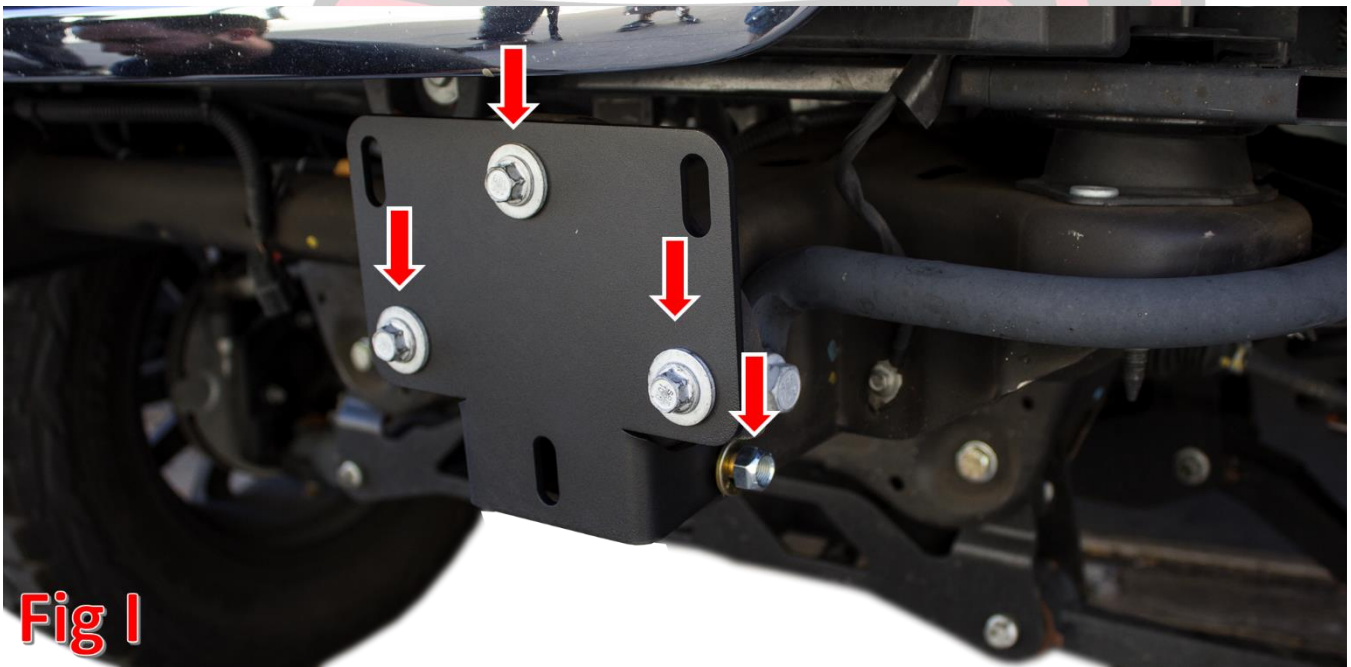
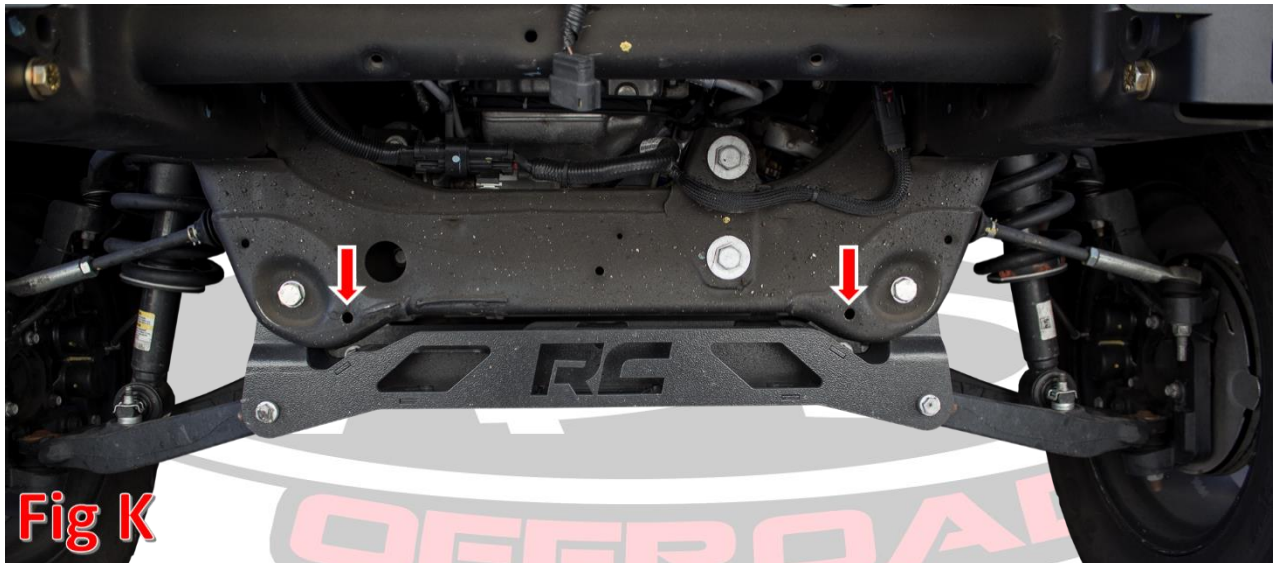


Fig I

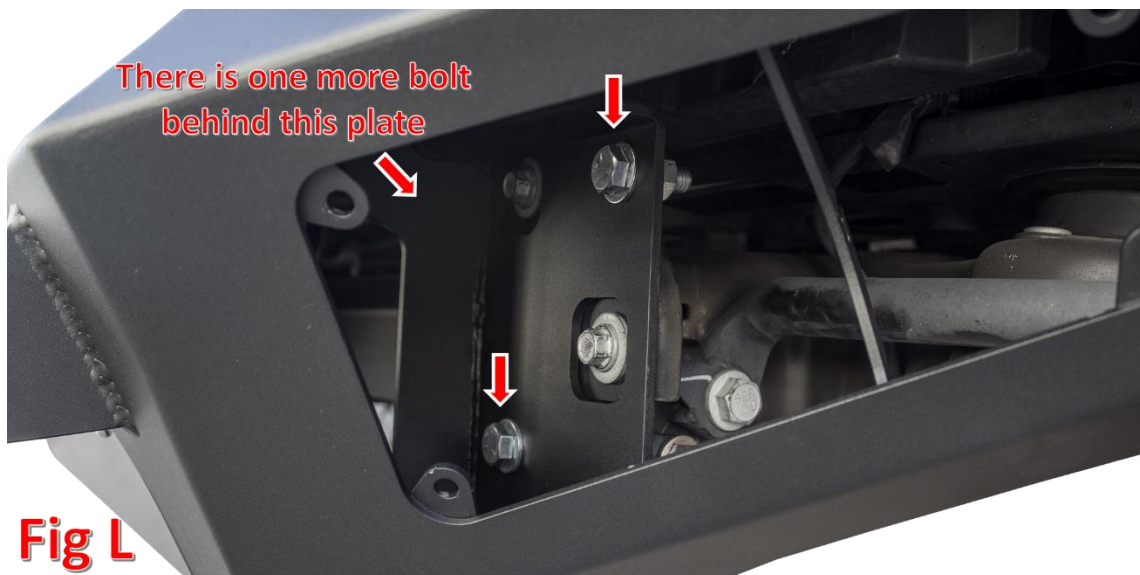
4. Using a 3/16" Allen Wrench and a 1/2" Wrench, remove the two front panels on your bumper. There are 12 total bolts between the two panels. (Fig J)



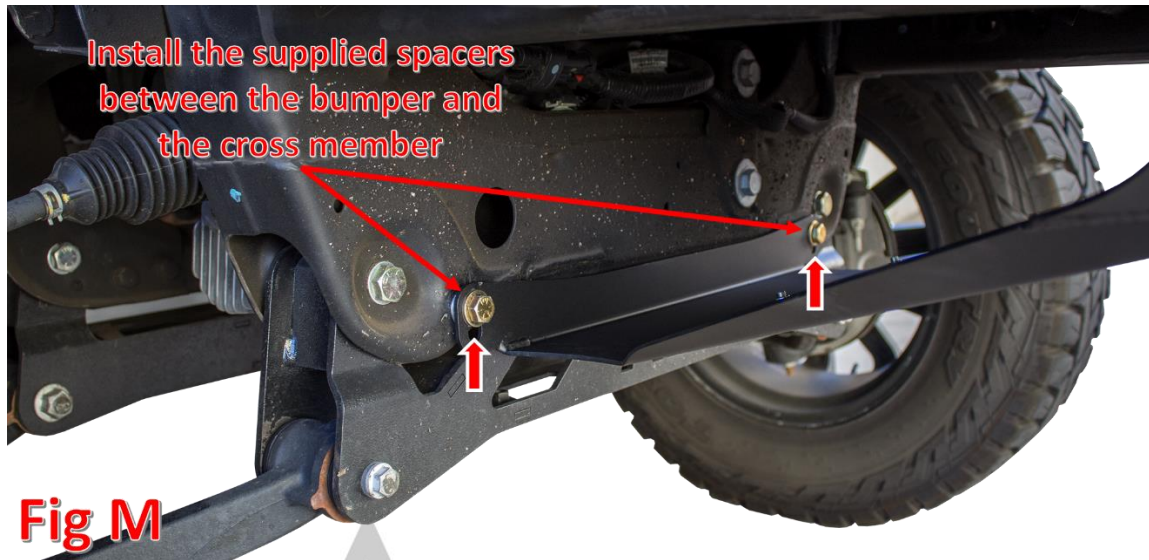
5. Using a 1/2" Drill Bit, drill the already existing holes on your cross member out to 1/2". (Fig K)



6. Hold the bumper in place, lining the mounting holes on the back of the bumper up with the mounting holes on the newly installed plates. Use the supplied 1/2" Bolts (x6), 1/2" Washers (x12), and 1/2" Nuts (x6) to secure it. Leave these loose for now. (Fig L)



7. Set the supplied spacers between the bottom lip of the bumper and your truck's cross member. Then, install the supplied 1/2" x 5 1/2" Bolts (x2), 1/2" Washers (x4), and 1/2" Lock Nuts (x2) in the lower bumper mounting holes. (Fig M)



8. Center your bumper left/right and up/down. Then, use a 3/4" Socket and Wrench to torque the 1/2" Mounting Bolts to 70 foot pounds.
9. Reinstall your bumper's front panels using the hardware you removed in Installation Step 4.
10. Stand back and enjoy your new ADD HoneyBadger Front Bumper.
11. Check and re-tighten if needed, all mounting bolts after 100 miles and periodically thereafter.



**For Additional Support or Technical Questions,
Please Call 480.671.0820 or
Email info@addictivedesertdesigns.com**