



Installation Instructions

IN-CHANNEL RAIN GUARDS

For proper installation and best possible fit, please read all instructions BEFORE you begin.
For technical assistance or to obtain missing parts, please call Customer Relations at 1-800-241-7219.

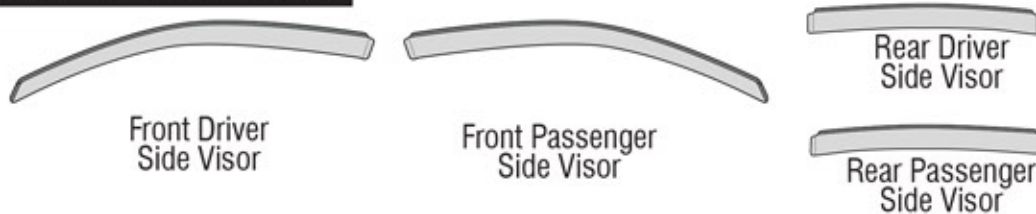
Important Safety Information

- ⚠️ **CAUTION** - Before driving, ensure that the vent visor is properly secured to vehicle.
- Do not use automatic "brush-style" car washes.
- Do not use cleaning solvents of any kind.
- Periodically check all components for tightness.

Contents - 2 Piece Set **NOTE:** Actual product may vary from illustration.



Contents - 4 Piece Set



Tools Required



Car Wash Supplies



Clean Towel

Preparation Before Painting / Installation

- A trial fit is recommended to ensure proper positioning and fit.
- Check fit of parts before painting as we will not accept the return of modified or painted parts.
- Wash and dry your vehicle to remove any debris and/or dirt from the installation area.

Installation Steps **NOTE:** Actual application may vary slightly from illustrations.

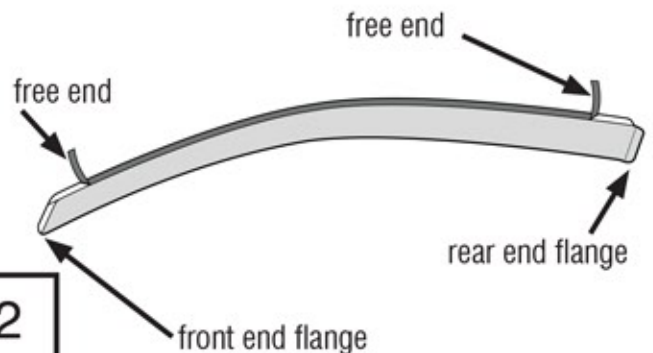
Roll down windows. Clean the inner window channels



1

NOTE: visors will mount on the **inside** of the window channel.

Remove the tape liner from the front flange. Peel back 2" (5cm) of tape liner from each end of top flange.

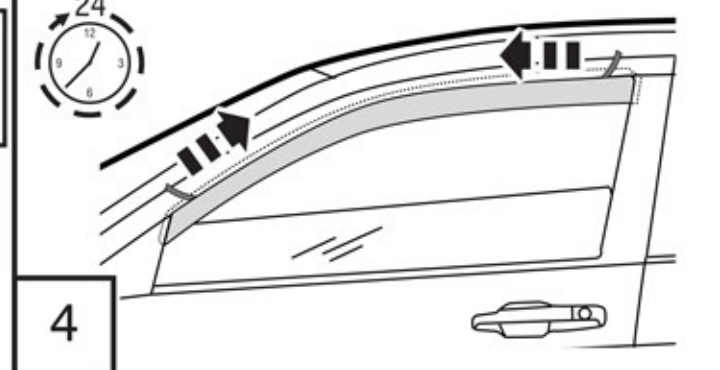
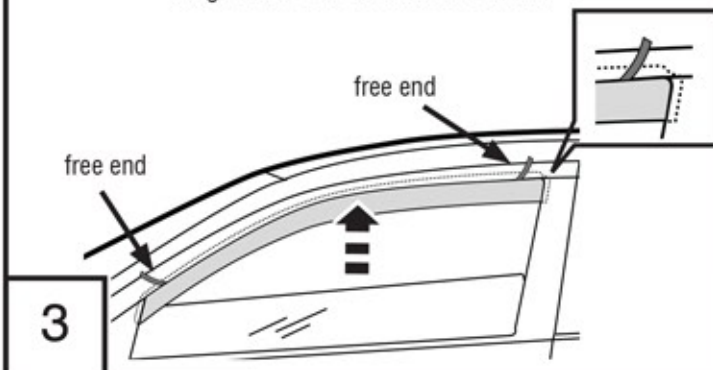


2

Installation Steps **NOTE:** Actual application may vary slightly from illustrations.

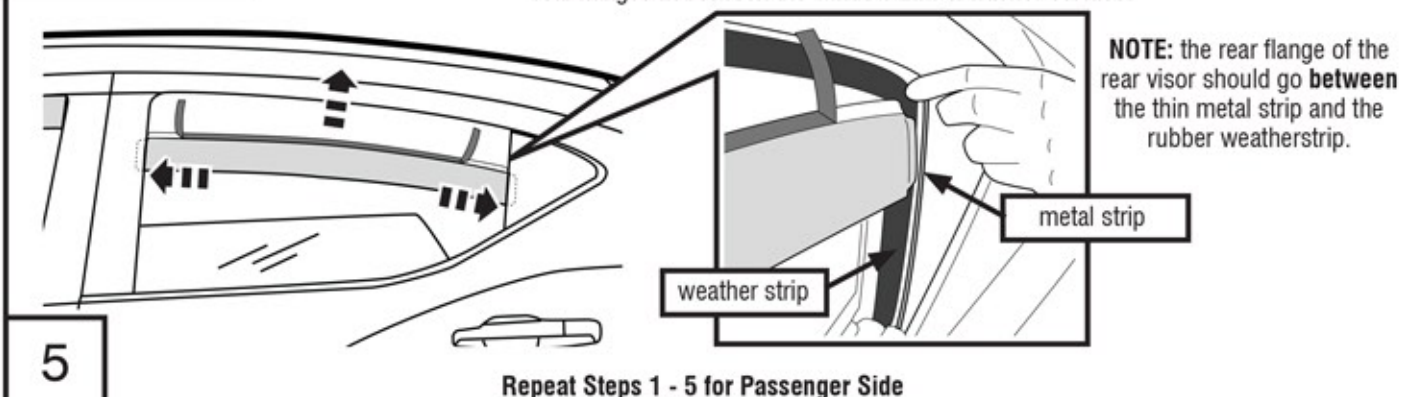
Insert visor into window channel, rear flange first. Rear flange inserts between the trim and the exterior surface. The front and top flange slides into the window channel.

Remove remaining tape liner by pulling on free ends. Raise window slowly and leave up for 24 hours to secure visor in window channel.



4 Piece Set

Install the rear visors using the same preparation and installation methods as the front visor. Note that front & rear flanges fit between the window trim & exterior surface.



Care and Cleaning

- Wash only with mild soap & dry with a clean cloth.

Congratulations!