

advanced FLOW engineering

Instruction Manual P/N: 51-74104 / 54-74104

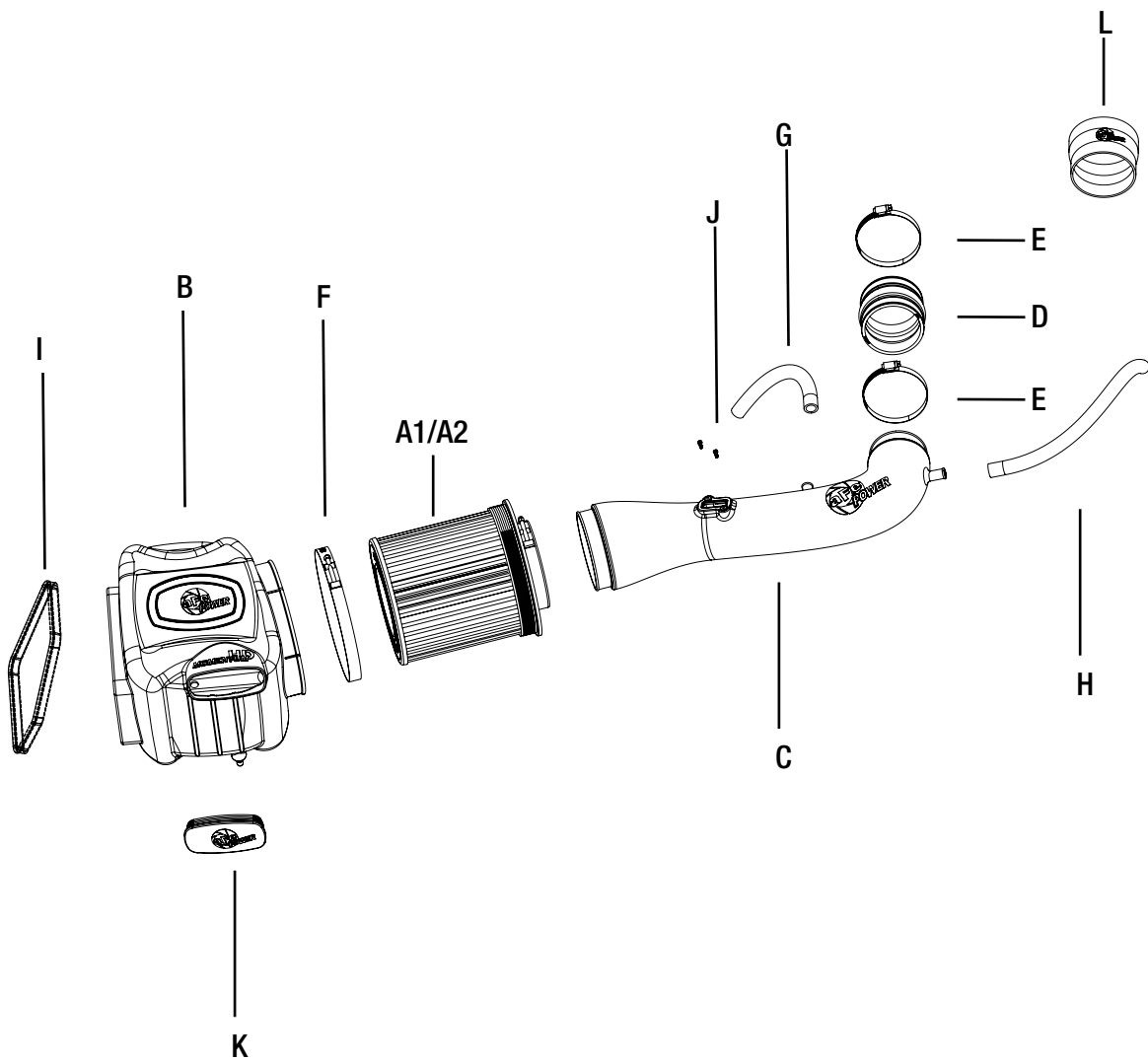
Make: **GM** Model: **Silverado/Sierra 1500** Year: **2014-2016** Engine: **V8-5.3L / 6.2L**



- Please read the entire instruction manual before proceeding.
- Ensure all components listed are present.
- If you are missing any of the components, call customer support at 951-493-7100.
- Ensure you have all necessary tools before proceeding.
- Do not attempt to work on your vehicle when the engine is hot.
- Disconnect the negative battery terminal before proceeding.
- Retain factory parts for future use.

Label	Qty.	Description	Part Number
A1	1	Pro DRY S Air Filter	21-91072 (Gray Media) (Kit # 51-74104)
A2	1	Pro 5R Air Filter	24-91072 (Blue Media) (Kit # 54-74104)
B	1	Housing	05-82302B2
C	1	Tube	05-74104B1
D	1	Coupling, Hump 3-1/2" ID	05-01264
E	2	Clamp #056	03-50009
F	1	Clamp T-bolt (8-5/16")	03-50267
G	1	Hose, 5/8" (13 Inches)	05-00069
H	1	Hose, 5/8" (16 Inches)	05-00069
I	1	Seal Trim 7/16" (26 Inches)	05-00072
J	2	Screws, M4	03-50034
K	1	Plug	05-01202
L	1	Coupling Reducer 3-1/2" to 3-3/4" ID	05-01203

Tools needed: 8mm Nut driver, 10mm Nut driver, T15 torx bit or driver, Pilers, Flat screw driver.



**Figure A****Refer to Figure A for Steps 1-3**

Step 1: Disconnect the MAF sensor plug from stock intake tube ①.

Step 2: Loosen clamp from OE air box housing and OE Intake tube ②.

Step 3: Loosen clamp from throttle body ③.



Refer to Figure B for Step 4

Step 4: Disconnect the MAF sensor harness clip from the OE air box.



Refer to Figure C for Steps 5-6

Step 5: Disconnect the OE crank case breathers from the valve covers (as shown) on both sides of the engine.

Step 6: Carefully remove the entire intake tube plenum with the crank case breather plugs attached.

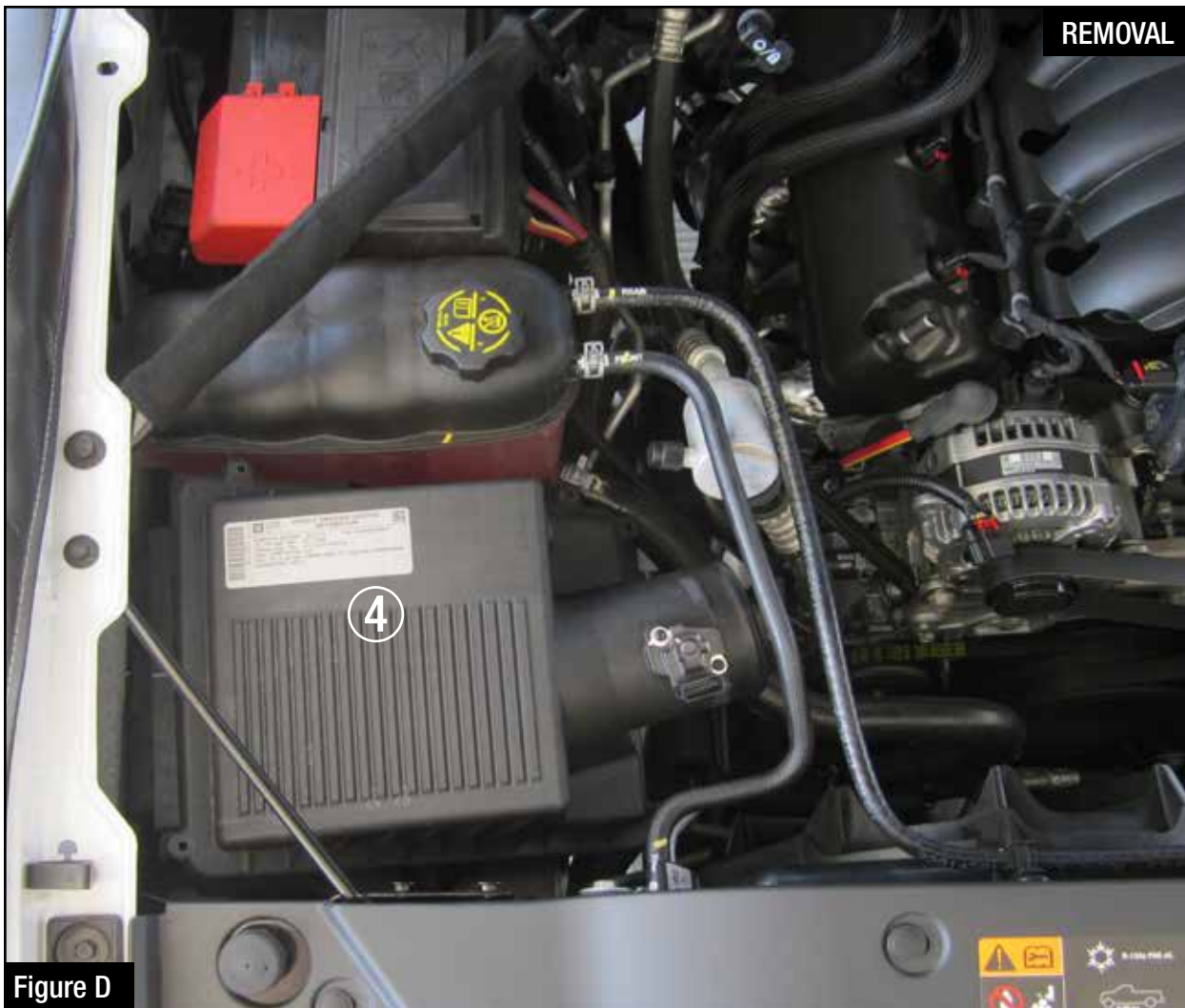


Figure D

Refer to Figure D for Step 7

Step 7: Remove the factory air box out of the vehicle (4).



Refer to Figure E for Step 8

Step 8: Slide the filter into the aFe air box. Install furnished T-bolt Clamps. ⑤

Do not tighten at this time.

Note: Use furnished plug ⑥ to close the auxiliary air inlet if you want to completely seal the airbox.



Figure F

Refer to Figure F for Steps 9-10

Step 9: Install the trim seal on the edge of the aFe air box (7).

Step 10: Remove the retaining plug from the bottom of the factory air box and transfer it to the aFe air box (8).



Figure G

Refer to Figure G for Step 11

Step 11: Install the aFe air box into the vehicle. Firmly push it into the factory mounting grommets.



Figure H

Refer to Figure H for Steps 12-14

Step 12: Remove the mass air flow sensor from the factory air box using a T15 Torx.

Step 13: Install the mass air flow sensor into the aFe intake tube using supplied screws and factory O-Ring.

Step 14: For V8-5.3L, install furnished hump coupling and clamps on the aFe intake tube.

For V8-6.2L, install furnished reducer coupling and clamps on the aFe intake tube.

Do not tighten clamps at this time.

**Figure I****Refer to Figure I for Steps 15-16**

Step 15: Install the intake tube into the vehicle. Slide the tube in the filter, then the coupling on the throttle body (9).

Step 16: Align the tube correctly then tighten all clamps .

**Figure J****Refer to Figure I for Steps 17-19**

Step 17: Install the two supplied crank case breather hoses (10) between the valve cover and the aFe tube on both passenger and driver side. (make sure hoses are secure over the bead)

Step 18: Reconnect the mass air flow sensor harness (11).

Step 19: Make sure all clamps and connections are secured. Your installation is now complete!

Thank you for choosing aFe Power.

Note: Retighten all connections after approximately 100-200 miles.

Place enclosed CARB EO sticker on or near the device on a smooth, clean surface.

EO identification label is required to pass the smog inspection.



Pro DRY S Air Filter



P/N: 21-91072

Pro 5R Air Filter



P/N: 24-91072

Pro DRY S Restore Kit



P/N: 90-59999

Blue Squeeze Restore Kit



P/N: 90-50501

Blue Aerosol Restore Kit



P/N: 90-50001

Twisted Steel Header



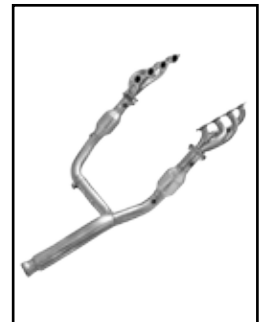
P/N: 48-44005-YC

Pre-Filter



P/N: 28-10273

Twisted Steel Header



P/N: 48-44003

Blue Aerosol Restore Kit



P/N: 46-34008

Twisted Steel Header



P/N: 49-44038-B

Twisted Steel Header



P/N: 48-44004

To purchase any of the items above, view airflow charts, dyno graphs, photos, and video; please go to aFepower.com.

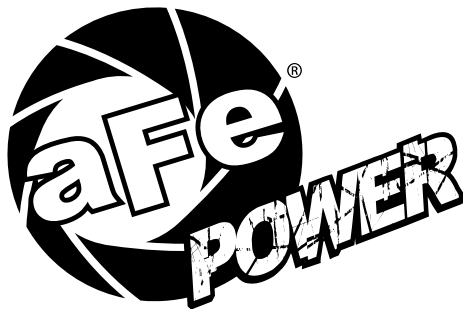
Warranty

General Terms:

- aFe warrants their products to be free from manufacturer's defects due to workmanship and material.
- This warranty applies only to the original purchaser of the product and is non-transferrable.
- Proof of purchase of the aFe product is required for all warranty claims.
- Warranty is valid provided aFe instructions for installation and/or cleaning were properly followed.
- Proper maintenance with regular inspections of product is required to insure warranty coverage.
- Damage due to improper installation, abuse, unauthorized repair or alteration is not warranted.
- Incidental or consequential damages or cost, including installation and removal of part, incurred due to failure of aFe product is not covered under this warranty.
- All warranty is limited to the repair and/or replacement of the aFe part. To request Return Goods Authorization ("RGA"), email RGA@afepower.com or call (951)493-7100. Upon receipt of the RGA, you must return the product to the address provided in the RGA, freight prepaid and accompanied with a dated proof of purchase and the RGA. Upon receipt of the defective product and upon verification of proof of purchase, aFe will either repair or replace the defective product within a reasonable time, not to exceed thirty days.

Product Category	P/N Prefix	Warranty duration
Direct OE Replacement Filters	10, 11, 30, 31, 71, 73	Life of the vehicle
Racing Filters	18	1 year
Universal	21, 24, 72	2 years
Air Intake Systems	50, 51, 54, 55, 75	2 years
Exhaust Systems	49	2 years
Intercoolers & Intercooler Tubes	46-2	2 years
Intake Manifolds	46-1	2 years
Differential Cover	46-7	Life of the vehicle
Exhaust Manifolds	46	2 years
Throttle Body Spacers	46-3	2 years
Fluid Filters	44	90 days
Pre-Filters	28	2 years
Heavy Duty OE Replacement	70	2 years
PowerSports OE Replacement	81, 87	2 years
PowerSports Intake Systems	85	2 years

No other warranty expressed or implied applies nor is any person or advanced FLOW engineering authorized to assume any other warranty. Some States do not allow the exclusion or limitation of incidental or consequential damages or do not allow limitations on how long an implied warranty lasts, so the above limitations or exclusions may not apply to you. This warranty gives you specific legal rights, and you may also have other rights which vary from State to State.



advanced FLOW engineering, inc.
252 Granite Street Corona, CA 92879
TEL: 951.493.7155 • TECH: 951.493.7100
E-Mail: Tech@aFepower.com