

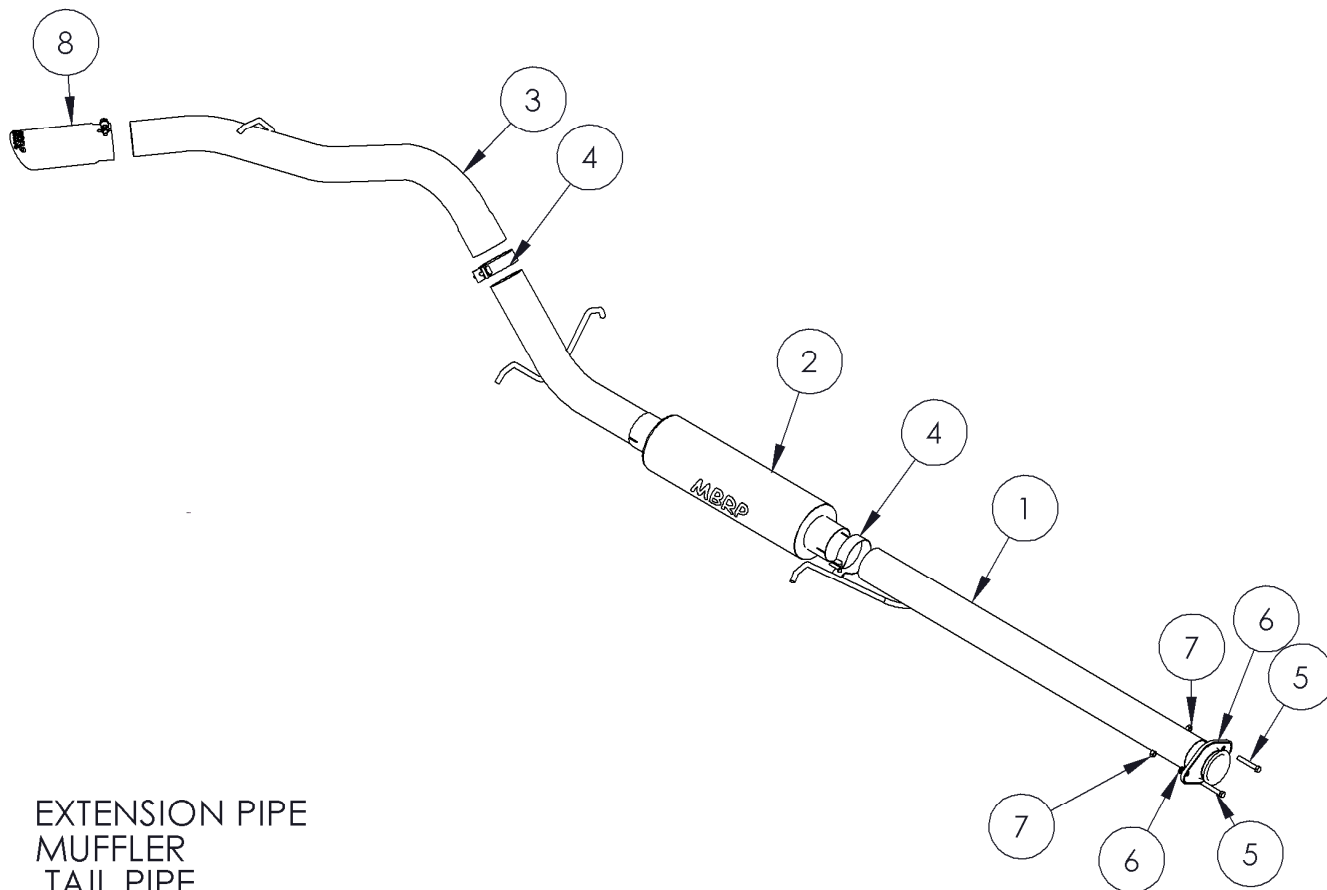
S5036

07-08 CHEV SILVERADO/ GMC SIERRA 1500
SERIES (NEXT GENERATION) EXTENDED CAB 5.5'
& 6.5' BED/ CREW CAB 4.7L & 5.3L & 6.0L , CAT
BACK SINGLE

MBRP

INC.

PERFORMANCE EXHAUST



1. EXTENSION PIPE
2. MUFFLER
3. TAIL PIPE
4. BAND CLAMP, SADDLE CLAMP IN ALUMINIZED SYSTEM(3PCS)
5. HEX BOLT 3/8" X 2 1/2" (2PCS)
6. LOCK WASHER (2PCS)
7. HEX NUT 3/8" (2PCS)
8. EXHAUST TIP

PLEASE READ BEFORE STARTING INSTALATION

While MBRP Inc. has made every effort to ensure that all components of this system are of superior quality and properly packaged, it is the installer's responsibility to ensure the following before removal of the factory exhaust:

- that ALL components shown above are present.
- that ALL mating components fit together.
- that there are no damaged components.
- that the system you have purchased is appropriate for your vehicle year, model and configuration.
- that the system will not interfere with any modifications previously installed or planned.
- that you have read and understand these instructions.

If you have any questions or are uncertain about any aspect of the installation of this system to your vehicle please contact your dealer before commencing installation.

07-08 Chev./GMC Silverado/Sierra 4.8L/5.3L

Removal of stock system:



Figure 1



Figure 2

1. Apply a penetrating lubricant liberally to all exhaust fasteners, hangers and rubber insulators.
2. Remove the nuts from the studs holding the front flange together and disconnect exhaust system. Refer to Figure 1.
3. Remove the hangers from the rubber insulators and remove the exhaust from the vehicle.
4. If a hoist or hydraulic lift is not being used the tail pipe may need to be cut to clear the rear axle. Refer to Figure 2
5. The studs located in the exhaust flange must be removed. This can be accomplished using a hammer. The studs will be replaced by hardware supplied with the system.

Installation of MBRP Inc. Performance Exhaust:



Figure 3



Figure 5

1. Loosely attach the extension pipe at the flange using the hardware provided and attach hanger to rubber insulator located on the frame. Refer to Figure 3.
2. Slide a band clamp onto the rear of the extension pipe. Install muffler onto the extension pipe and install the hangers into the factory rubber insulator located above the rear of the muffler. Refer to Figure 4.
3. Slide a band clamp onto rear of the muffler. Feed the tail pipe over the axle and loosely attach it to the muffler. Refer to Figure 5.
4. Install the tail pipe hanger into the factory rubber insulator located directly above the hanger. Refer to Figure 6.

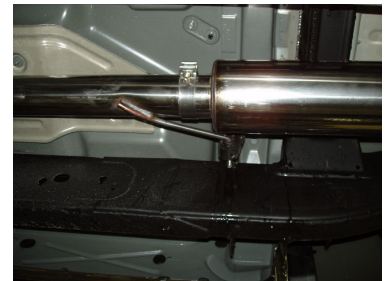


Figure 4



Figure 6

5. Install the mirror polished tip. It is recommended to install them at this point to assist with the final system alignment.
6. Align the exhaust as required before tightening clamps. Starting at the front of the exhaust tighten all clamps and connections.
7. Check along length of the exhaust system to ensure that there is adequate clearance around the spare tire, fuel and brake lines or any wiring. If any interference is detected relocate or adjust.



Congratulations! You are ready to begin enjoying the improved performance and driving experience of your MBRP Inc. Performance Exhaust system. We hope you enjoy your purchase.