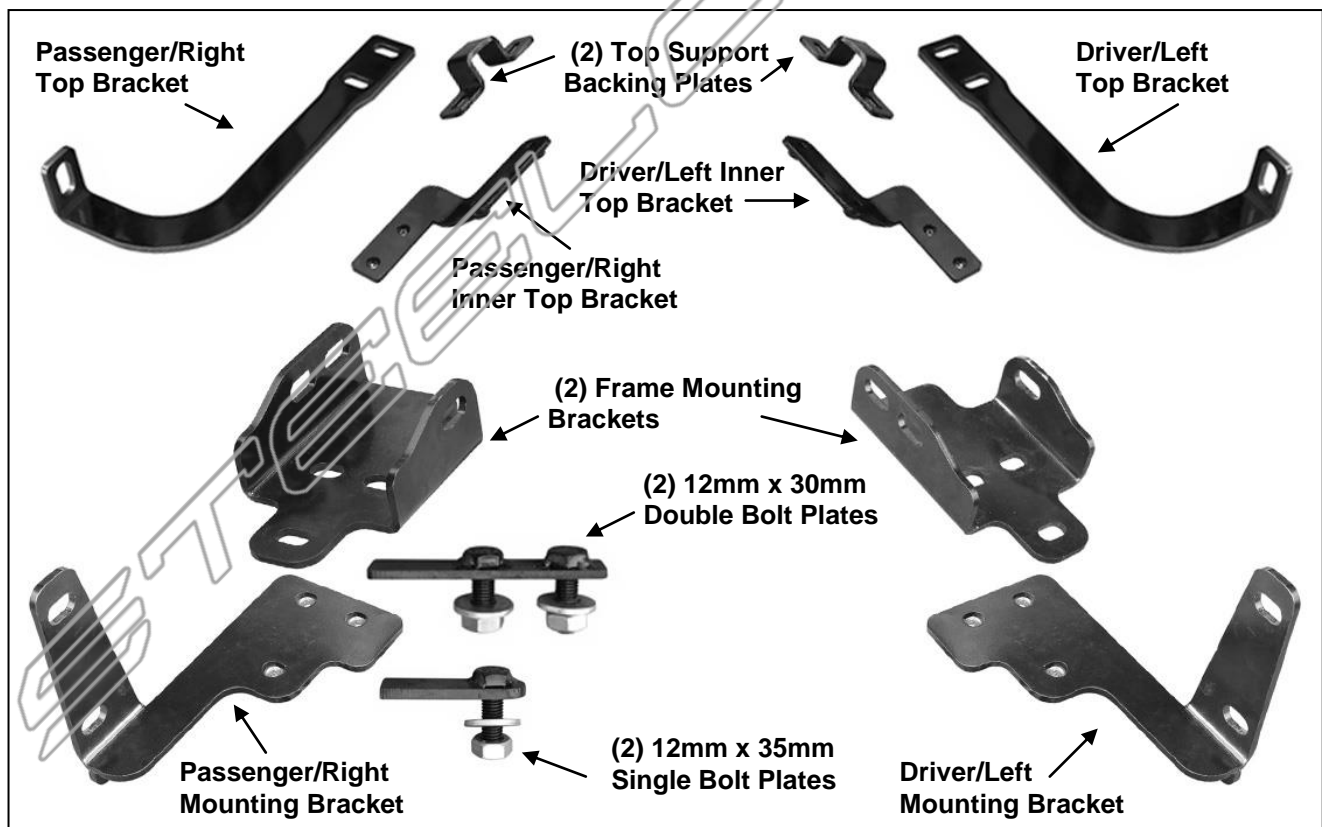


**PARTS LIST:**

Qty	Description	Qty	Description
1	Grille Guard Assembly	6	12-1.75mm Hex Nuts
2	Frame Brackets	4	10-1.50mm x 30mm Hex Bolts
1	Driver/Left Mounting Bracket	8	10mm x 27mm OD x 3mm Flat Washers
1	Passenger/Right Mounting Bracket	4	10mm Lock Washers
1	Driver/Left Top Bracket	4	10-1.50mm Hex Nuts
1	Passenger/Right Top Bracket	2	8-1.25mm x 25mm Button Head Allen Bolts
1	Driver/Left Top Inner Support Bracket	6	8-1.25mm x 25mm Hex Bolts
1	Passenger/Right Top Inner Support Bracket	10	8mm x 16mm OD x 1.6mm Flat Washers
2	Top Support Rear Backing Plates	6	8mm Lock Washers
2	12-1.75mm x 30mm Double Bolt Plates	2	8-1.25mm Nylon Lock Nuts
2	12-1.75mm x 35mm Single Bolt Plates	8	6-1.0mm x 25mm Hex Bolts
6	12mm x 24mm OD x 2.5mm Flat Washers	8	6mm x 18mm OD x 1.6mm Flat Washers
6	12mm Lock Washers	8	6mm Lock Washers



**PROCEDURE:**

- 1. REMOVE CONTENTS FROM BOX AND VERIFY ALL PARTS ARE PRESENT. READ INSTRUCTIONS CAREFULLY. DO NOT ATTEMPT INSTALLATION ALONE; PERSONAL INJURY OR DAMAGE TO THE VEHICLE MAY RESULT. CUTTING MAY BE REQUIRED. ASSISTANCE IS HIGHLY RECOMMENDED.**

2. Start installation from under the front of the vehicle. Determine if the vehicle is equipped with tow hooks.

**Tow Hook equipped vehicles:**

- a. Remove the factory tow hook from the end of each frame channel, **(Figure 1)**. **NOTE:** The driver side tow hook removal and the reinstallation of both tow hooks with the Grille Guard is difficult and assistance is highly recommended.
  - i. **Option 1:** Remove the hex bolts securing the driver side of the bumper to the bracket. Use a short pry bar or large screwdriver to move the tab on the bumper bracket up and away only enough to clear the hex bolt and slide it out past the bumper bracket, **(Figures 2A, 2B & 5)**.
  - ii. **Option 2:** Remove plastic radiator grille. Loosen and/or completely remove the front bumper to remove the long hex bolts through the tow hooks, **(Figure 2B)**.
- b. Reattach the bumper after the tow hooks have been removed, **(Figure 5)**. Leave factory hardware loose at this time.
- c. Next, select (1) Frame Bracket and the driver side Mounting Bracket, **(Figure 9)**. Bolt the Mounting Bracket to the bottom of the Frame Bracket with (3) 8mm x 25mm Hex Bolts, (3) 8mm Lock Washers and (3) 8mm Flat Washers, **(Figure 10)**. Do not fully tighten hardware at this time.
- d. Insert the Bracket assembly through the opening in the plastic bumper, **(Figure 5)**. Line up the (3) holes in the Frame Bracket with the holes in the end of the frame channel.
- e. Insert the driver side tow hook back into position in the end of the frame above the Bracket Assembly, **(Figure 10)**. Reattach the tow hook using only the long factory hex bolt inserted through the Frame Bracket and tow hook at this time. Loosen and reattach bumper as required to reinstall the long bolt. If tow hooks are not going to be reinstalled, skip ahead to **Step d, "Vehicles without tow hooks"** installation instructions.
- f. Leave hardware loose at this time.
- g. Repeat **Steps c - f** to install the passenger side Bracket assembly and tow hook. Once both Bracket assemblies have been installed, skip forward to **Step 3**.

**Vehicles without tow hooks:**

- a. Cut out the lower portion of the indented area in both sides of the plastic bumper insert to clear the Brackets as pictured, **(Figures 3 & 4)**. **IMPORTANT:** Make several small cuts for best fit. **NOTE:** The plastic panel is held in place with several small screws. The screws at the top corners are difficult to impossible to reach and remove with the bumper in place without damaging the cover. If you prefer to remove the panel to cut out the openings, it may be necessary or easier to remove the plastic grille then the steel bumper assembly with the plastic panel attached to access all of the small screws and clips.
  - b. Reattach the bumper and/or bumper insert and grille, (if removed), once openings have been cut out and checked for clearance, **(Figure 4)**. Tighten all factory bumper hardware only at this time.
  - c. Select (1) Frame Bracket, **(Figure 6)**. Insert the Bracket through the opening in the plastic bumper, **(Figures 4 & 5)**. Line up the (3) holes in the Bracket with the holes in the end of the frame channel.
  - d. Select (1) 12mm Double Bolt Plate, **(Figure 7A)**. Insert the Bolt Plate into the end of the frame channel, through the (2) holes in the side of the frame and out through the Bracket. Secure the Double Bolt Plate to the Bracket with (2) 12mm Flat Washers, (2) 12mm Lock Washers and (2) 12mm Hex Nuts, **(Figure 7B)**. Snug but do not fully tighten hardware at this time. Repeat this **Step** to install the 12mm x 35mm Single Bolt Plate, **(Figure 8A)**, into the remaining hole in the other side of the frame channel and Bracket, **(Figures 8B & 8C)**.
  - e. Next, select the driver side Grille Guard Mounting Bracket. Bolt the Mounting Bracket to the bottom of the Frame Bracket with (3) 8mm x 30mm Hex Bolts, (3) 8mm Lock Washers and (3) 8mm Flat Washers, **(Figures 9 & 10)**. Do not tighten hardware at this time.
  - f. Repeat **Steps c - e** to install the passenger side Frame and Mounting Brackets.
3. With assistance, hold the Grille Guard up in position on the outside of the Mounting Brackets. Bolt the Grille Guard to the Brackets with (4) 10mm x 30mm Hex Bolts, (8) 10mm Flat Washers, (4) 10mm Lock Washers and (4) 10mm Hex Nuts, **(Figure 10)**. Snug but do not tighten hardware at this time.
4. Check the Grille guard side to side alignment with the vehicle. Adjust as required then tighten only the (6) 8mm Hex Bolts securing the Mounting Brackets to the bottom of the Frame Brackets.

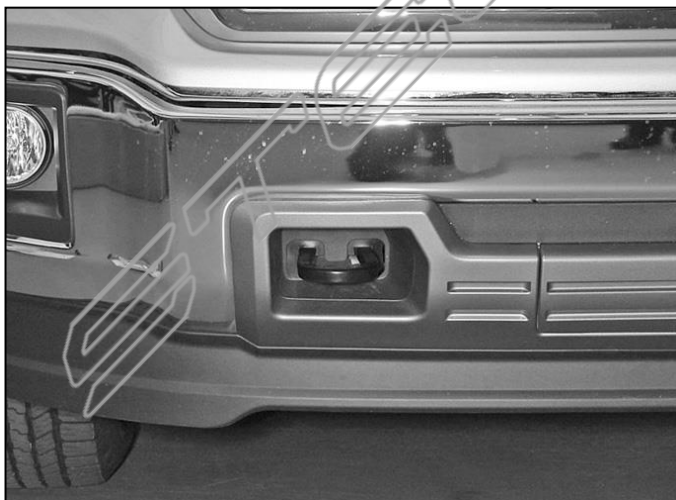
**GRILLE GUARD  
2014 GMC SIERRA 1500  
EXCLUDES DENALI**

- a. **Vehicles with tow hooks:** Once adjusted side to side and after the 8mm hardware is tightened, insert the short factory tow hook bolt, (one per tow hook), through the remaining hole in the Frame Bracket and back into the tow hook. Repeat to reinstall the passenger side tow hook bolt.
5. Through the radiator opening, locate the square tube support braces running up at an angle from the top of the frame channel to the bottom of the hood release mechanism, **(Figures 11B, 13 & 14)**. Select the driver side Inner Top Bracket and (1) Backing Plate, **(Figure 11A)**. Hold the Inner Bracket up to the bottom of the brace tube with the Backing Plate over the top. Bolt the Brackets together around the square tube with (2) 6mm x 25mm Hex Bolts, (2) 6mm Lock Washers and (2) 6mm Flat Washers, **(Figure 11B)**. Leave loose at this time. Repeat this **Step** to install the passenger side Inner Bracket and Backing Plate.
6. Reinstall the plastic grille if previously removed.
7. Select the driver side Outer Top Bracket, **(Figure 12)**. Insert the Outer Bracket through the grille and up to the Inner Top Bracket assembly, **(Figure 13)**. Slide the Bracket assembly up or down the tube to match up the Outer Top Bracket to the hole in the Grille Guard upright. Bolt the Outer Bracket to the top of the Inner Bracket with (2) 6mm x 25mm Hex Bolts, (2) 6mm Lock Washers and (2) 6mm Flat Washers, **(Figure 15)**. Leave hardware loose at this time.
8. Line up the outer bent end of the Top Bracket with the hole in the Grille Guard upright. Bolt the bent end of the Outer Top Bracket to the upright with (1) 10mm x 25mm Button Head Allen Bolt, (2) 10mm Flat Washers and (1) 10mm Nylon Lock Nut, **(Figures 15 & 16)**.
9. Repeat **Steps 7 – 8** for passenger side Top Bracket assembly installation, **(Figure 14)**.
10. Level and adjust the Grille Guard and fully tighten all hardware including bumper, bumper bracket, tow hook if equipped and all Grille Guard Bracket hardware. **IMPORTANT:** Adjust the position of the Top Brackets so that they cannot come in contact with the plastic grille, **(Figures 13 - 15)**.
11. Do periodic inspections to the installation to make sure that all hardware is secure and tight.

**To protect your investment**, wax this product after installing. Regular waxing is recommended to add a protective layer over the finish. Do not use any type of polish or wax that may contain abrasives that could damage the finish.

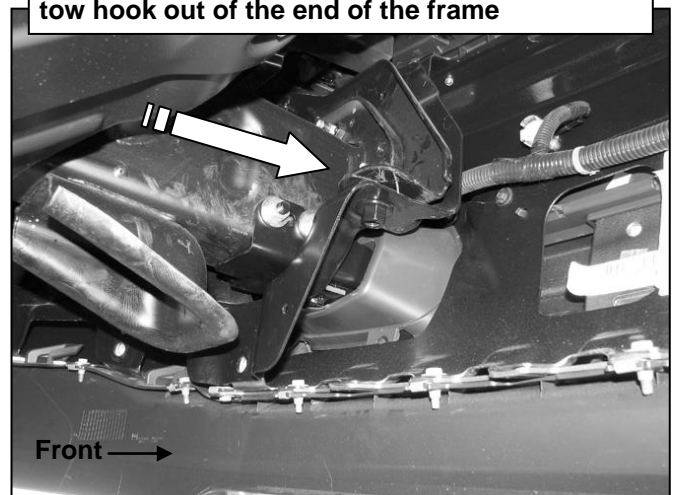
**For stainless steel:** Aluminum polish may be used to polish small scratches and scuffs on the finish. Mild soap may be used also to clean the Grille Guard.

**For gloss black finishes:** Mild soap may be used to clean the Grille Guard.

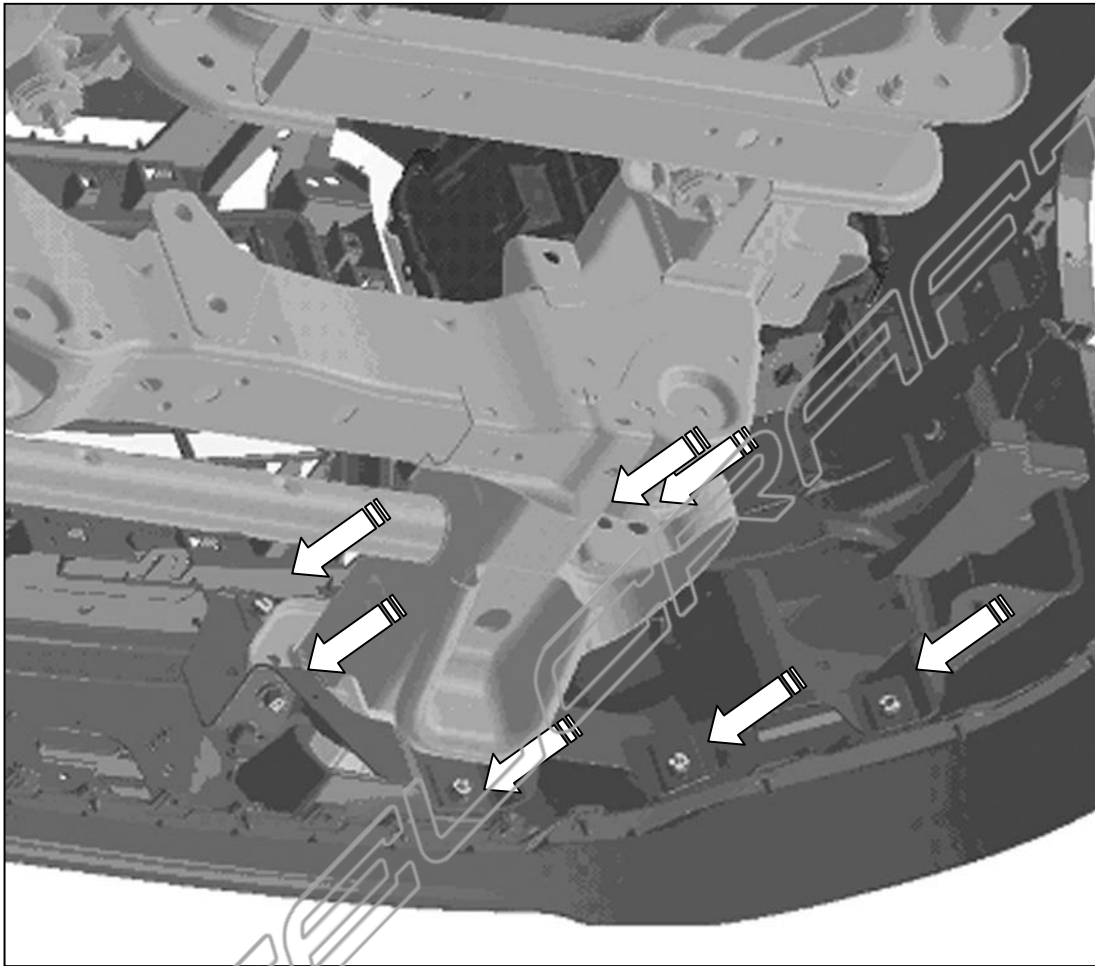


**(Fig 1) Opening for tow hook pictured**

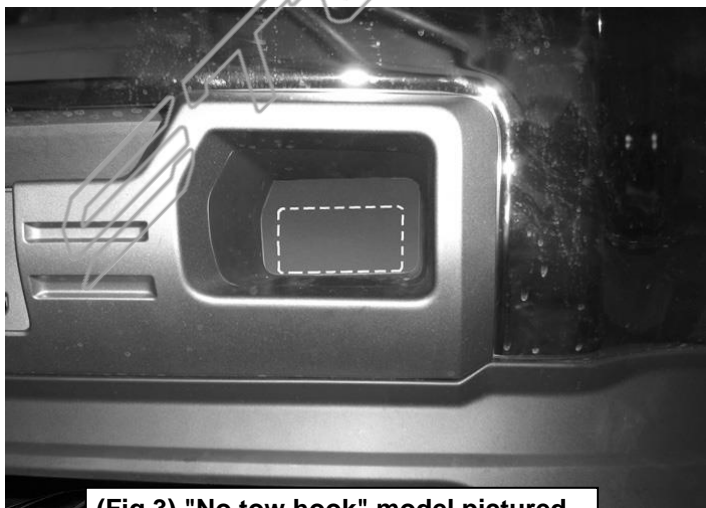
**Remove the bolts securing the driver side of the bumper to the bumper bracket. Use a large screwdriver or pry bar to move the mounting tab up enough to get the long bolt through the tow hook out of the end of the frame**



**(Fig 2A) Driver side pictured from behind bumper**



(Fig 2B) Passenger side illustrated from behind bumper to show bumper bolt locations

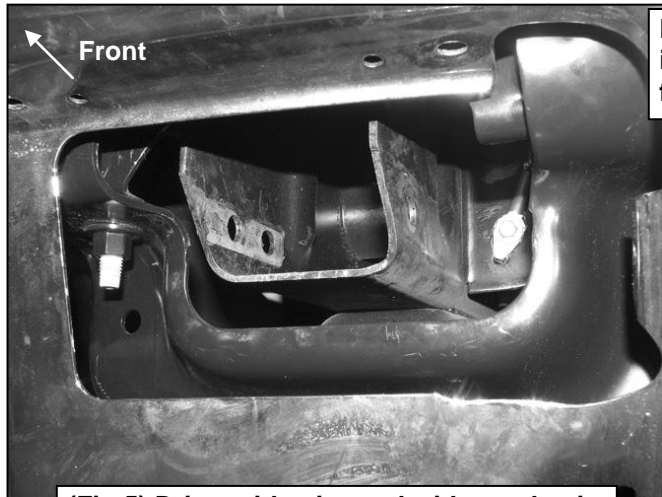


(Fig 3) "No tow hook" model pictured



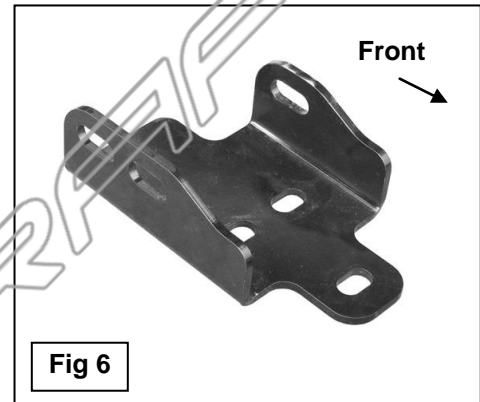
(Fig 4) Driver side cut out illustrated for reference only

**GRILLE GUARD  
2014 GMC SIERRA 1500  
EXCLUDES DENALI**

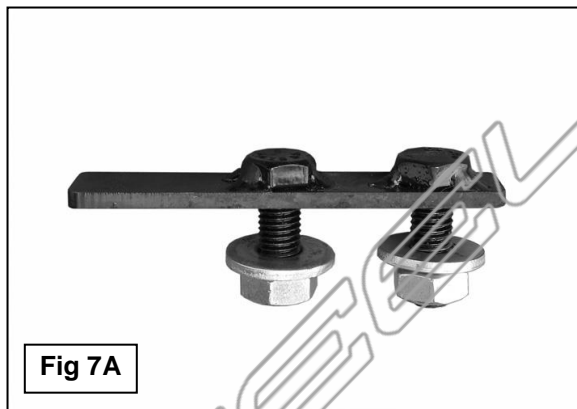


Locate mounting holes  
in end of frame for  
factory tow hooks

**(Fig 5) Driver side pictured without plastic  
panel for instruction purposes only**

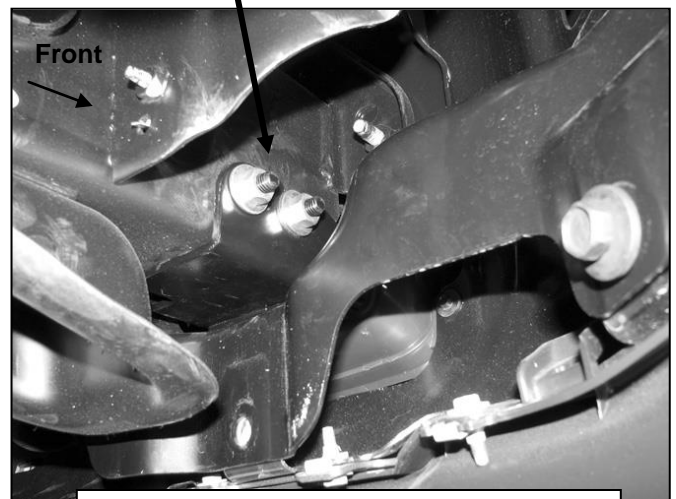


**Fig 6**

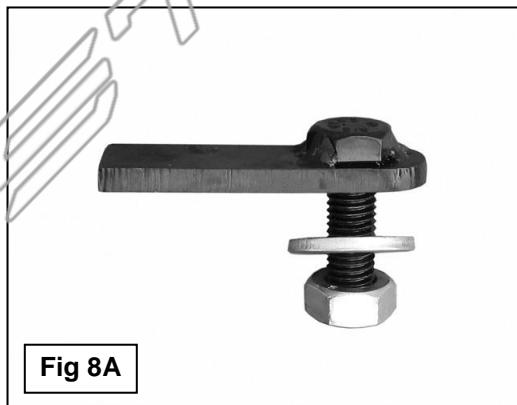


**Fig 7A**

**12mm Double Bolt Plate  
(2) 12mm Flat Washers  
(2) 12mm Lock Washers  
(2) 12mm Hex Nuts**

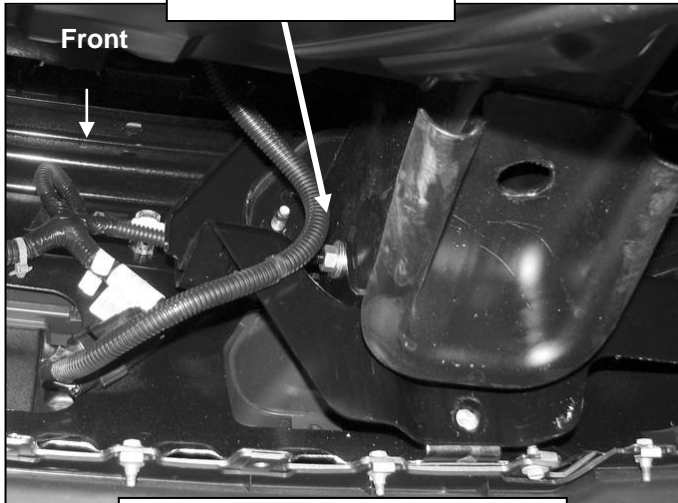


**(Fig 7B) Outer passenger side pictured**

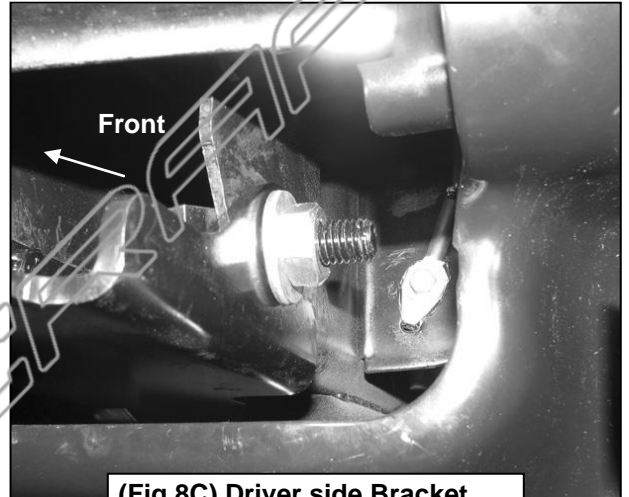


**Fig 8A**

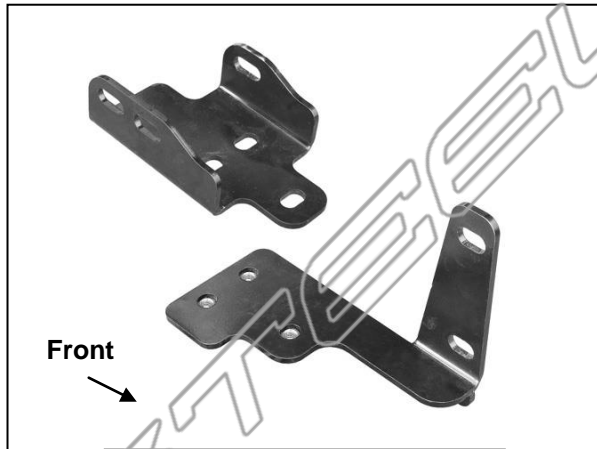
**12mm Bolt Plate**  
**12mm Flat Washer**  
**12mm Lock Washer**  
**12mm Hex Nut**



**(Fig 8B) Passenger side Frame Bracket installation pictured**



**(Fig 8C) Driver side Bracket installation pictured from front**



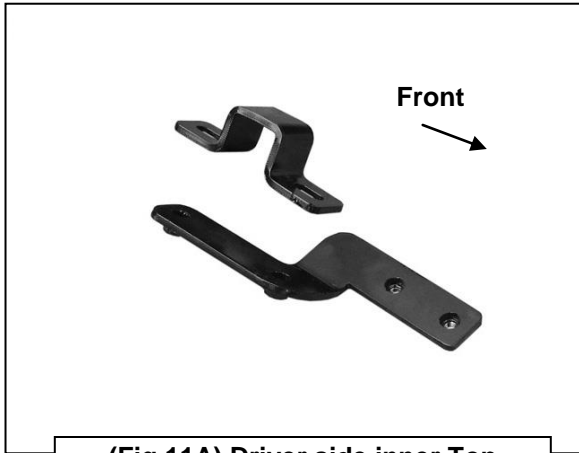
**(Fig 9) Driver side Mounting Brackets pictured**

**Bolt the Mounting Bracket to the bottom of the Frame Bracket with:**  
**(3) 8mm 25mm Hex Bolts**  
**(3) 8mm Lock Washers**  
**(3) 8mm Flat Washers**



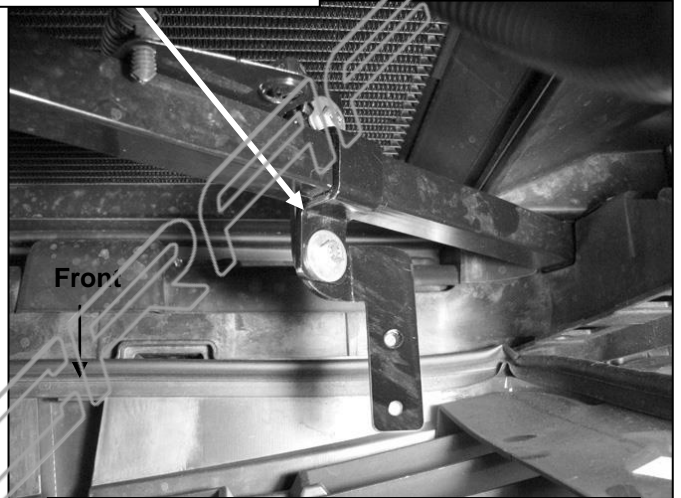
**(Fig 10) Driver side pictured**

**Driver Side Installation Pictured**

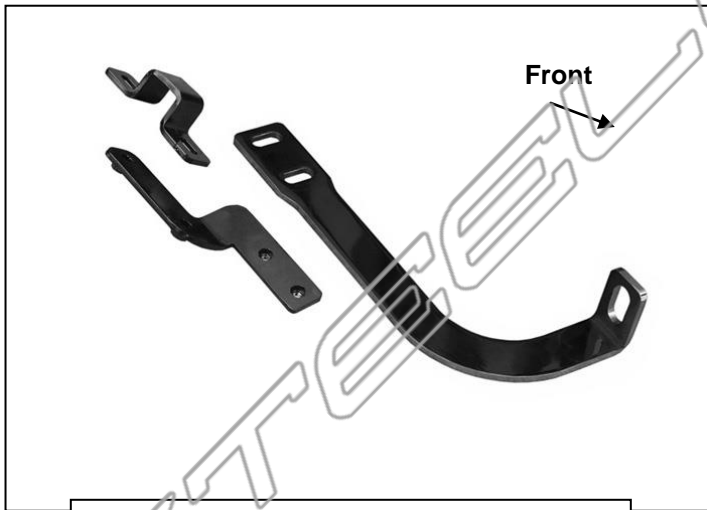


**(Fig 11A) Driver side inner Top Bracket and Backing Plate pictured**

**Bolt the Top Inner Bracket to the Backing Plate with:  
(2) 6mm x 25mm Hex Bolts  
(2) 6mm Lock Washers  
(2) 6mm Flat Washers**



**(Fig 11B) Driver side pictured from above**



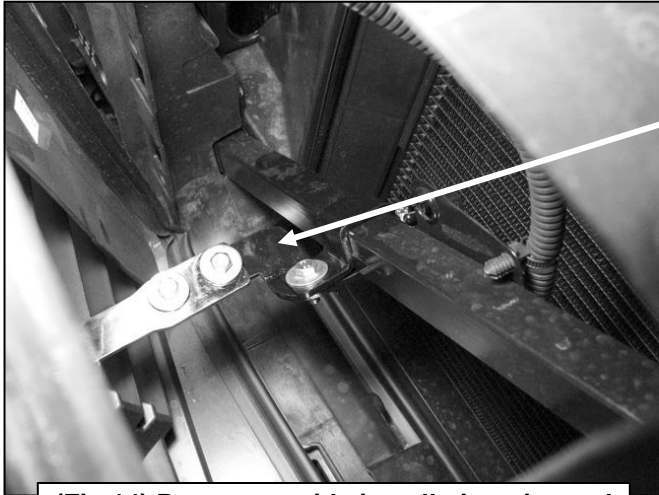
**(Fig 12) Driver side Top Brackets pictured**

**Driver side Top Bracket installation pictured. Adjust position up or down the square tubing so that Bracket cannot come in contact with plastic grille**



**(Fig 13) Driver side installation pictured**

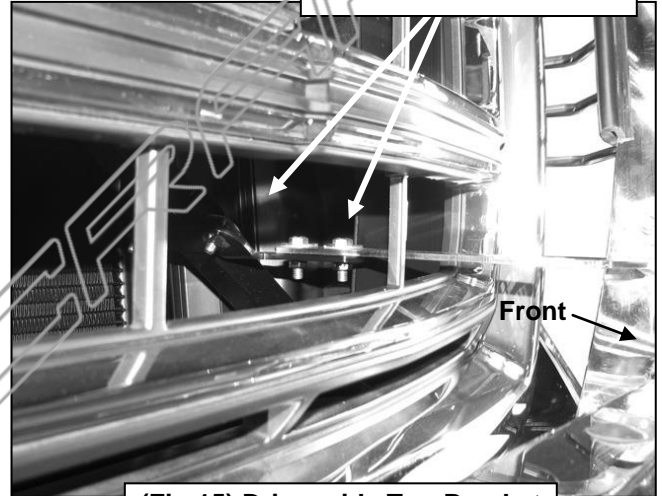
**GRILLE GUARD  
2014 GMC SIERRA 1500  
EXCLUDES DENALI**



**(Fig 14) Passenger side installation pictured**

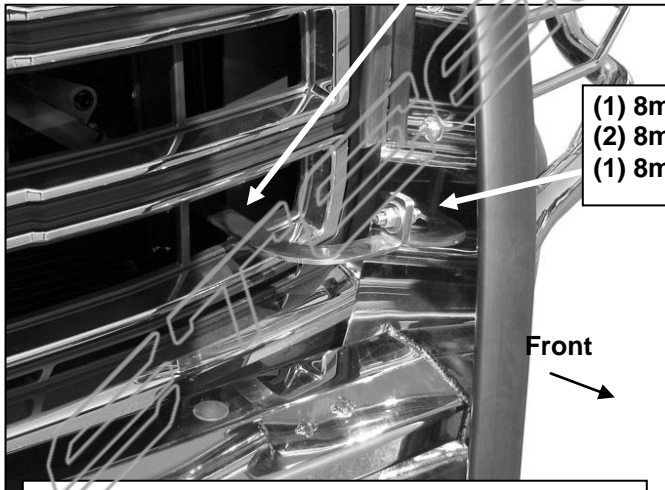
**Bolt the Top Outer Bracket  
to the Inner Bracket with:  
(2) 6mm x 25mm Hex Bolts  
(2) 6mm Lock Washers  
(2) 6mm Flat Washers**

**6mm x 25mm Hex Bolts  
6mm Lock Washers  
6mm Flat Washers**



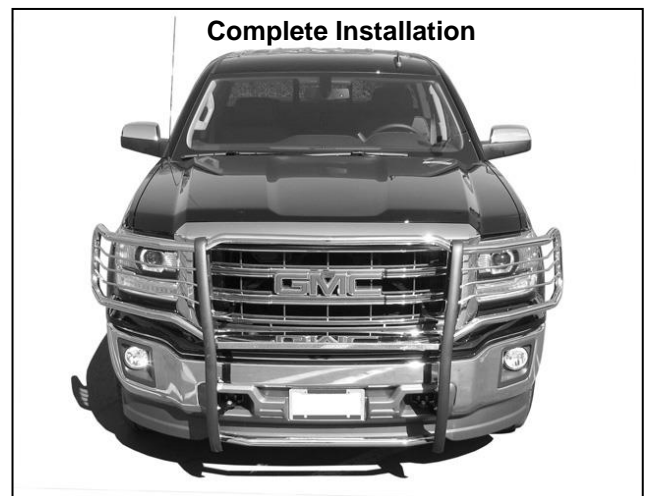
**(Fig 15) Driver side Top Bracket  
installation pictured**

**6mm x 25mm Hex Bolts  
6mm Lock Washers  
6mm Flat Washers**



**(Fig 16) Driver side outer Top Bracket pictured**

**(1) 8mm Button Head Bolt  
(2) 8mm Flat Washers  
(1) 8mm Nylon Lock Nut**



**Complete Installation**