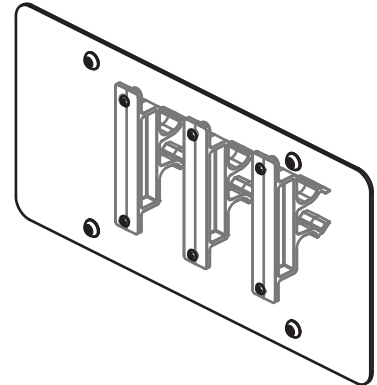


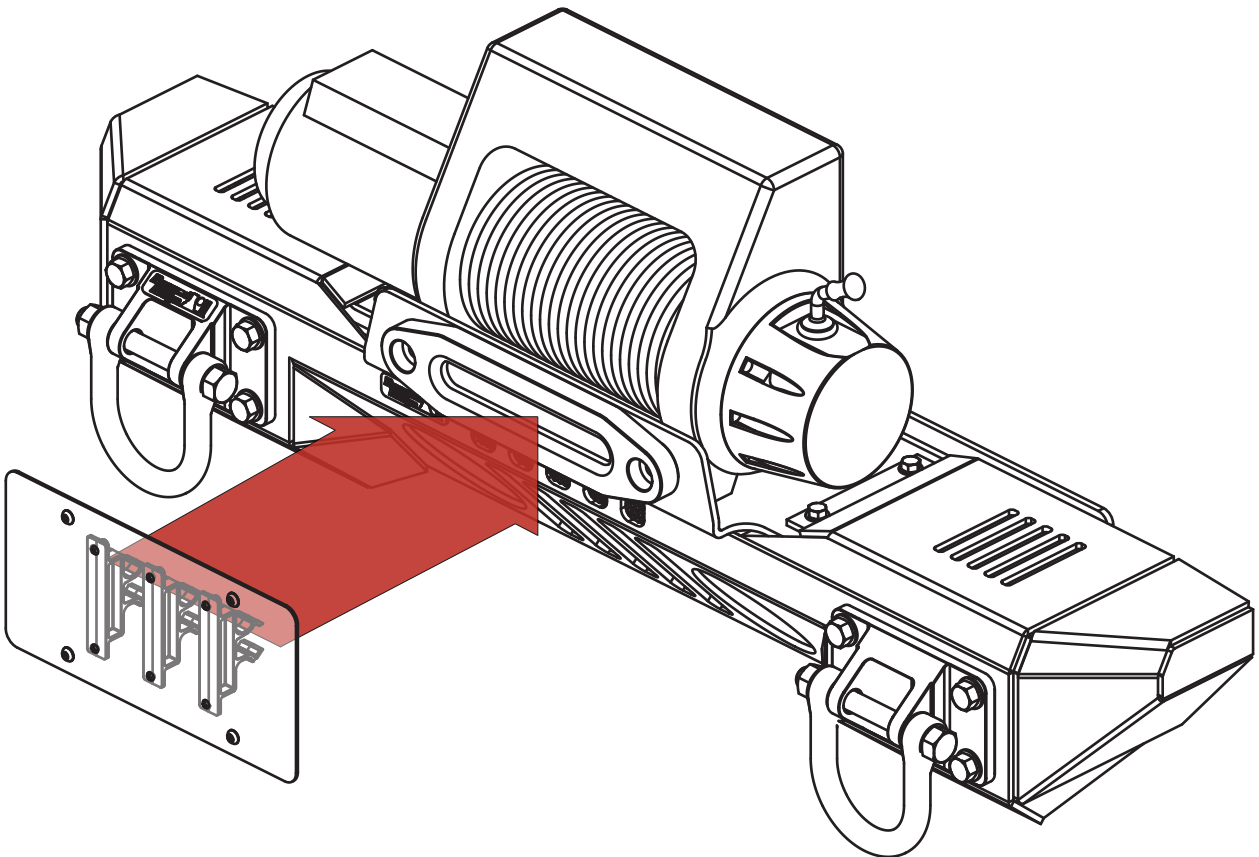
### Hawse Fairlead License Plate Holder

**Contents:**

1. Hawse Fairlead License Plate Holder w/ Snap Fittings Attached (1)
2. License Plate Mounting Bolts (4)



Attach Hawse Fairlead License Plate Holder to Hawse fairlead by aligning the 3 snap fittings with the opening in the fairlead. Route winch line between the snap fittings and push the plate evenly until fittings engage. Use supplied License Plate Mounting Bolts to attach license plate.



Contact Technical support if you need any assistance.  
Telephone: 1-800-449-6649  
Fax: 770-614-6069  
Techsupport@omix-ada.com