



PUTCO SKIN INSTALLATION SHEET

Congratulations on your purchase of a high quality PUTCO product. Should you need any application or technical assistance feel free to call us at:

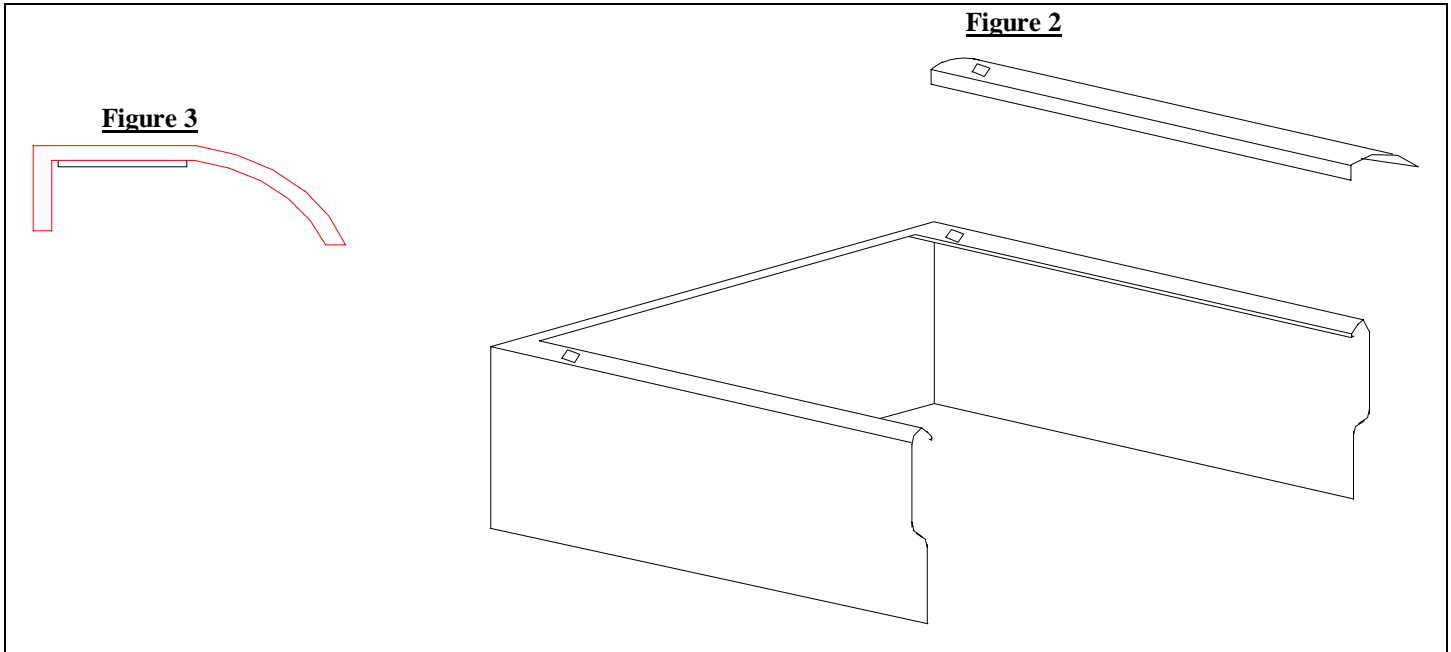
1-800-247-3974

Monday-Friday 8:00 a.m.- 5:00 p.m. (Central Standard Time)

Contact your PUTCO dealer for other quality accessories.

PUTCO Inc. - 216 West First Street - Story City, Iowa 50248

PLEASE READ ALL INSTRUCTIONS BEFORE BEGINNING INSTALLATION AND BE SURE TO CHECK TO SEE THAT ALL PARTS AND HARDWARE ARE INCLUDED.



NOTE: Surface temperature at time of installations must be above 12°C / 60°F for proper tape adhesion.

Step 1: Before removing the backing from the tape, place the Putco Skin on the box rail to check fit.

Step 2: Area to be covered must be thoroughly cleaned and free of all waxes and or special coatings. Entire surface must be wiped down with rubbing alcohol. (Do Not substitute alcohol with any other cleaners).

Step 3: Remove backing from tape. Being careful not to touch item to vehicle until positioned correctly. Once attached press firmly with the palm of your hand, working from the center out. **Once the Putco Skin is in place it cannot be moved without damage to the part.**

Note: PUTCO recommends applying a high quality automotive wax to maintain the original appearance on your new master cap.

LIMITED WARRANTY

Putco guarantees it's Stainless Steel and Aluminum products against defects in workmanship and material for as long as you own your vehicle. Black products have a 90 day warranty on the painted surface. Any defects resulting from faulty material or workmanship will be warranted by Putco and repaired or replaced at our discretion. Putco assumes no extra labor costs. Damages caused by freight carriers, improper installation, misuse, collision, or neglect will not be warranted by Putco.