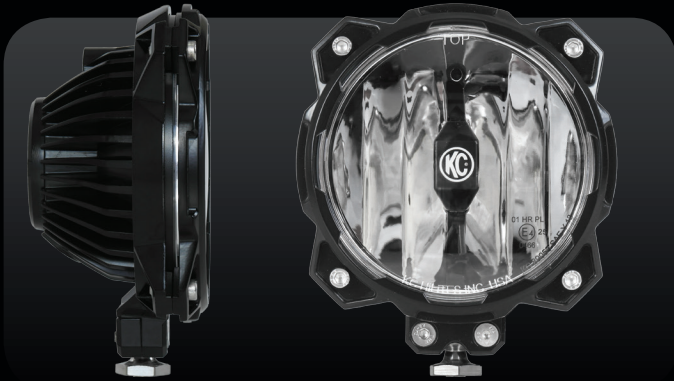




KC HiLITES

Gravity® LED PRO6 Single



Gravity® LED PRO6 Single

FEATURES

Three Models Available:

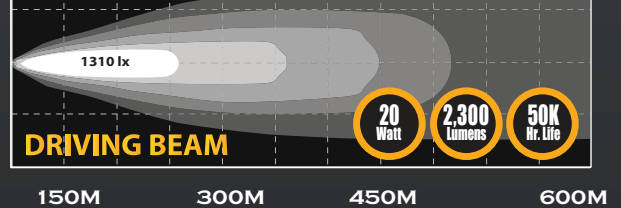
- **Driving Beam - Single #91302, Pair Pack #91303**
Gravity® LED Pro6 Single Driving Beam SAE J581 & ECE-R112 Street Legal
- **Spot Beam - Single #91300, Pair Pack #91301**
Gravity® LED Pro6 Single Mount Spot Beam
- **Wide - 40 Beam - Single #91304, Pair Pack #91305**
Gravity® LED Pro6 Single Mount Wide-40 Beam
- Powered by Gravity® LED G6 optical inserts – efficient, powerful, patented
- Ready to mount to any flat mounting surface with a highly adjustable ball mount
- Multiple G6 beam patterns available – Spot, Driving, Wide-40
- Amp Draw: 1.63A
- Extremely high output with very low amperage draw
- Pair Packs include a deluxe Plug-N-Play wiring harness with 30 amp LED switch
- Backed by our 23 Year Warranty



PHOTOMETRICS

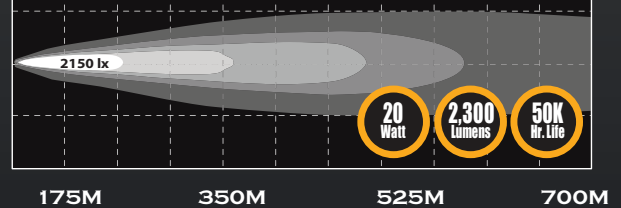
Total beam distance with 0.25 Lux - 724m

SAE/ECE CERTIFIED STREET LEGAL



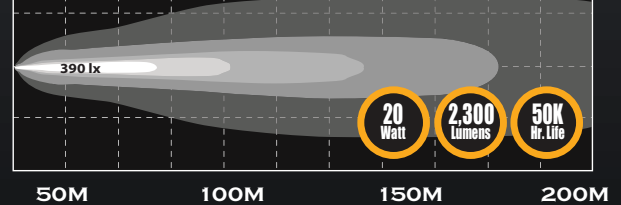
Total beam distance with 0.25 Lux - 927m

SPOT BEAM

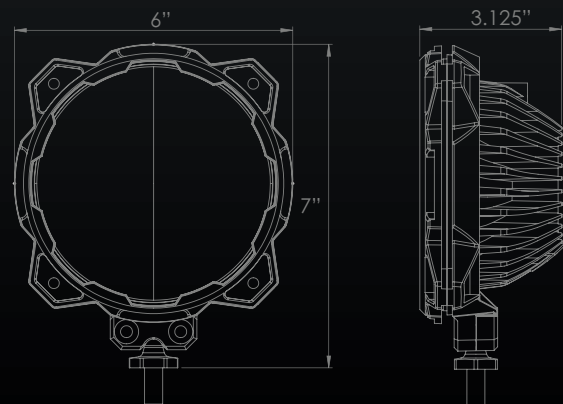


Total beam distance with 0.25 Lux - 395m

WIDE - 40



DIMENSIONS



KC Gravity® LED PRO6 Single

Pair Pack Part #	Single Light Part #	Model / Description	Beam Pattern	Beam Distance (m)	Watts	Volts	Candela	Lumens	LUX @10m	Width	Height	Depth
91303	91302	Gravity LED PRO6 Single	Driving	724	20	9 - 32	131,100	2,300	1,310	6.0"	7.0"	3.125"
91301	91300	Gravity LED PRO6 Single	Spot	972	20	9 - 32	215,000	2,300	2,150	6.0"	7.0"	3.125"
91305	91304	Gravity LED PRO6 Single	Wide - 40	395	20	9 - 32	39,000	2,300	390	6.0"	7.0"	3.125"