

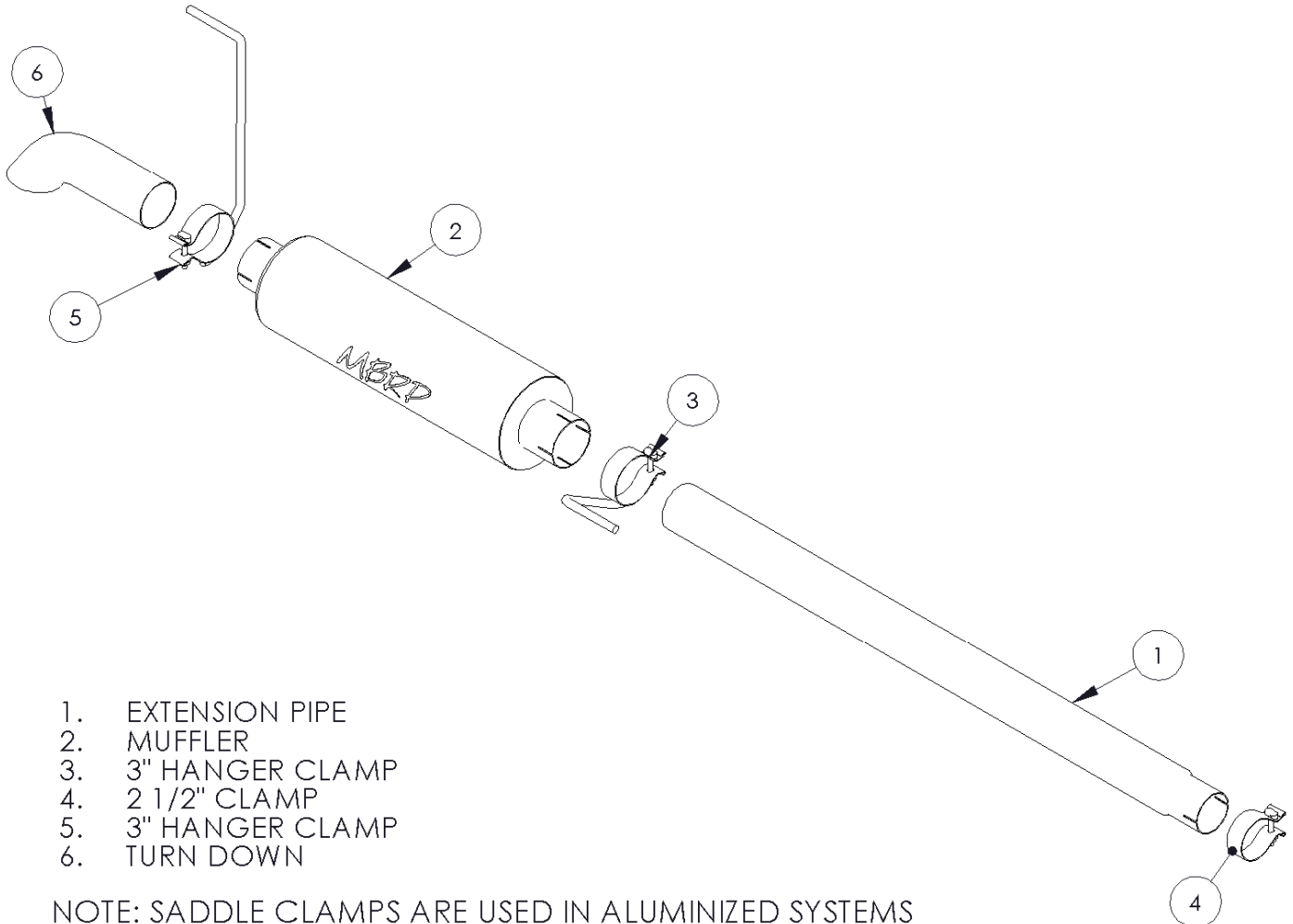
## S5220

04-08 FORD F150 4.6L/5.4L, RC, 8' BOX,  
EC/CC, 6 1/2' BOX AND 5 1/2' BOX,  
CAT BACK, SINGLE TURN DOWN

# MBRP

INC.

**PERFORMANCE EXHAUST**



1. EXTENSION PIPE
2. MUFFLER
3. 3" HANGER CLAMP
4. 2 1/2" CLAMP
5. 3" HANGER CLAMP
6. TURN DOWN

NOTE: SADDLE CLAMPS ARE USED IN ALUMINIZED SYSTEMS

### PLEASE READ BEFORE STARTING INSTALATION

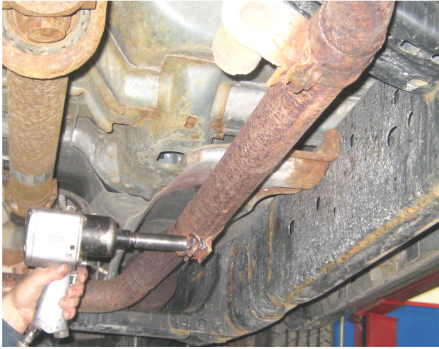
**While MBRP Inc. has made every effort to ensure that all components of this system are of superior quality and properly packaged, it is the installer's responsibility to ensure the following before removal of the factory exhaust:**

- that ALL components shown above are present.
- that ALL mating components fit together.
- that there are no damaged components.
- that the system you have purchased is appropriate for your vehicle year, model and configuration.
- that the system will not interfere with any modifications previously installed or planned.
- that you have read and understand these instructions.

If you have any questions or are uncertain about any aspect of the installation of this system to your vehicle please contact your dealer before commencing installation.

## 2004-2008 FORD F150

### Removal of Stock System:



**Figure 1**

1. Apply a penetrating lubricant liberally to all exhaust fasteners, hangers and rubber insulators.

2. Loosen the clamp located behind the “Y” pipe. **Refer to Figure 1.**



**Figure 2**

3. Loosen the clamp located in front of the muffler. **Refer to Figure 2.**

4. Remove the hangers from the rubber insulators and remove the exhaust from the vehicle. If a hoist or hydraulic lift is not being used the tail pipe may need to be cut to clear the rear axle. **Refer to Figure 3.**

### Installation of MBRP Inc. Performance Exhaust:

1. Install the **Extension Pipe** to the end of the “Y” pipe. **Refer to Figure 4.**

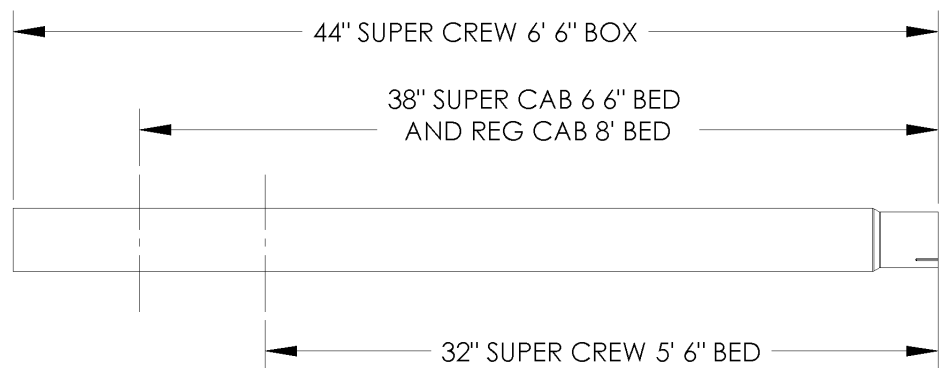
Note: The **Extension Pipe** will need to be trimmed on some models, refer to the illustration below.



**Figure 3**



**Figure 4**





**Figure 5**



**Figure 6**



**Figure 7**

2. Slide the **3" Hanger Clamp** (short hanger) over the **Extension Pipe** and place the hanger into the existing rubber insulator. **Refer to Figure 5.**

3. Slide the **Muffler** onto the **Extension Pipe** and loosely install the **3" Hanger Clamp** (long hanger) into the existing rubber insulator for support. **Refer to Figure 6.**

4. Loosely install the **Turn Down** connecting it to the **Muffler** outlet through the **3" Hanger Clamp**. **Refer to Figure 7.**

5. Align the exhaust as required. Starting at the front of the exhaust tighten all clamps and connections.

6. Check along the whole length of the exhaust system to ensure that there is adequate clearance around the spare tire, fuel and brake lines or any wiring. If any interference is detected relocate or adjust.



**Congratulations!** You are ready to begin experiencing the improved power, sound and driving excitement of your MBRP Inc. performance exhaust system. We know you will enjoy your purchase.