

YEARS: 2015

MAKE: FORD

MODEL: F-150

STYLE: PICK-UP

WARNING: NEVER EXCEED YOUR VEHICLE MANUFACTURER'S RECOMMENDED TOWING CAPACITY

WEIGHT CARRYING:
 TRAILER WEIGHT: 5,000 LBS.
 TONGUE WEIGHT: 500 LBS.

GROSS LOAD CAPACITY WHEN USED AS A STRAIGHT LINE PULL:
 9,000 LBS MAX.

PRO INSTALL TIME: 45 MIN.
NOVICE INSTALL TIME: 90 MIN.

IF YOU ARE HESITANT TO UNDERTAKE THIS TASK ON YOUR OWN, CONTACT AN AUTHORIZED CURT INSTALLER FOR ADDITIONAL ASSISTANCE.

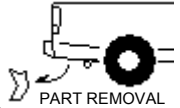

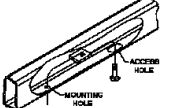
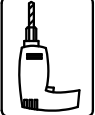
INSTALLATION REQUIRES:

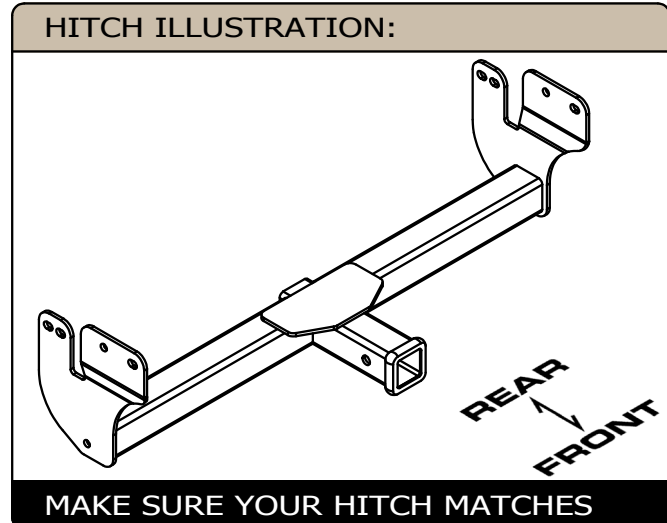
 RATCHET	 3" SOCKET EXTENSION	 3/4" 10mm SOCKET
 TORQUE WRENCH	 AVIATION SHEARS	 MASKING TAPE
 MARKER	 POWER DRILL	 DRILL BIT 17/32"

INSTALLATION TIPS:

- BEFORE YOU BEGIN INSTALLATION, READ ALL INSTRUCTIONS THOROUGHLY.
- TO EASE INSTALLATION, 2 PEOPLE MAY BE REQUIRED.
- USING PROPER TOOLS WILL GREATLY IMPROVE THE QUALITY OF THE INSTALL AND REDUCE THE TIME REQUIRED.
- NEED HELP OR HAVE SOME QUESTIONS? CALL TECHNICAL SUPPORT AT 800.798.0813

LEVEL OF DIFFICULTY: MODERATE

EASY	MODERATE	CHALLENGING
 PART REMOVAL	TEMPORARY LOWER VALANCE REMOVAL	
 TRIM	FASCIA TRIMMING REQUIRED	
 MOUNTING HOLE ACCESS HOLE	FISHWIRE HARDWARE REQUIRED	
	OPTIONAL DRILL HOLE	

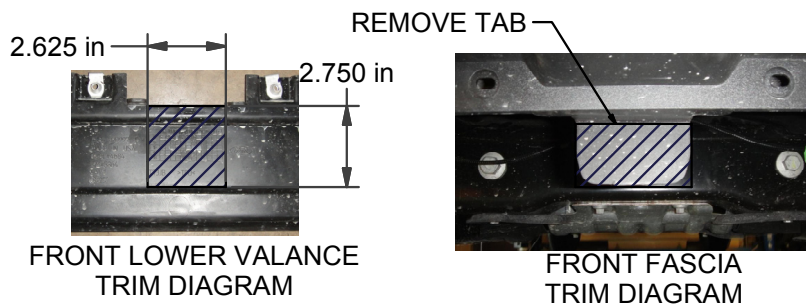
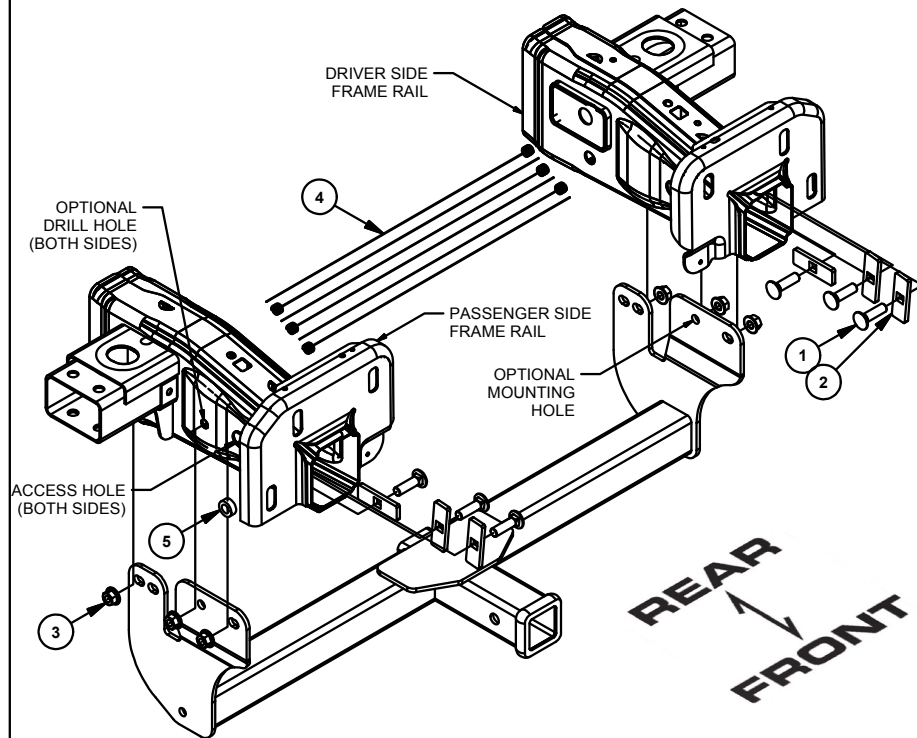


SCAN FOR MORE INFO

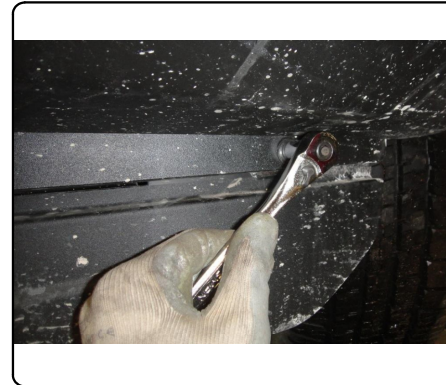
PERIODICALLY CHECK THIS RECEIVER HITCH TO ENSURE ALL FASTENERS ARE TIGHT AND ALL STRUCTURAL COMPONENTS ARE SOUND
 CURT Manufacturing LLC. warrants this product to be free of defects in material and/or workmanship at the time of retail purchase by the original purchaser. If the product is found to be defective, CURT Manufacturing LLC. may repair or replace the product at their option, when the product is returned, prepaid, with proof of purchase. Alteration to, misuse of, or improper installation of this product voids the warranty. CURT Manufacturing LLC.'s liability is limited to repair or replacement of products found to be defective, and specifically excludes liability for incidental or consequential loss or damage.
 For more information log onto www.curtmfg.com, & for helpful towing tips log onto www.hitchinfo.com

INSTALLATION WALKTHROUGH:

Parts List			
ITEM	QTY	PART NUMBER	DESCRIPTION
1	6	1/2-13 x 1 3/4, GR8	CARRIAGE BOLT
2	6	CM-SP6	.250 x 1.00 x 3.00" SQUARE HOLE SPACER
3	6	HFN 1213, GR8	HEX FLANGE NUT
4	6	1_2 FISHWIRE	1/2" FISHWIRE
5	2	31070-SP	.375" SPACER



1. Remove the lower fascia by removing (8) M6 bolts. Trim front lower valance and fascia as required using the diagrams to the left as a reference only. (See front lower valance and front fascia trim diagrams)

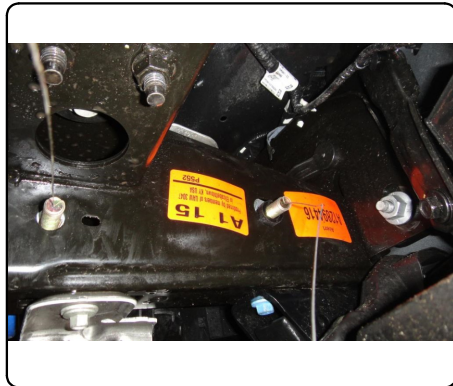
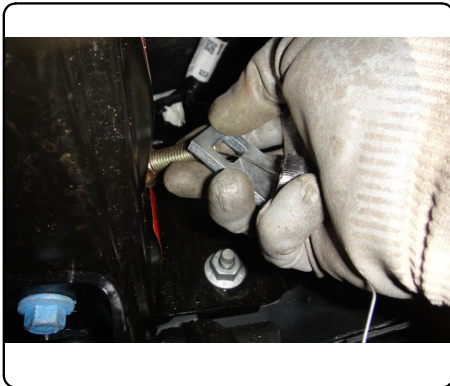


2. Fishwire 1/2" carriage bolts and CM-SP6 spacers through access hole and out the larger hole in the frame rail. Leave fishwires attached. (Optional for home plow application: Using hitch as a template drill hole through one side of the frame rail on both sides of the vehicle. Fishwire 1/2" carriage bolts and CM-SP6 spacers through drilled hole.)

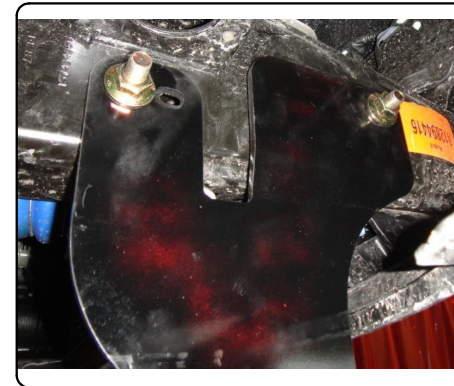
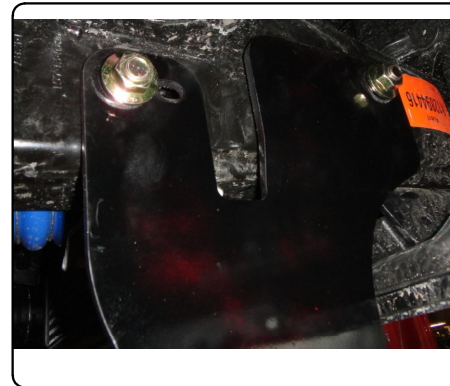


INSTALLATION WALKTHROUGH:

3. Reverse fishwire 1/2" carriage bolts, CM-SP6 spacers, and 31070-SP spacer into access hole.
Leave fishwires attached.



5. Remove fishwires and install 1/2" hex flange nuts onto carriage bolts.



4. Raise hitch into position pulling fishwires through the sides plates of the hitch.



6. Reinstall lower fascia removed in step 1.
Torque all 1/2" hardware to 110 ft-lbs.



31070 FORD F-150

*****DO NOT EXCEED VEHICLE MANUFACTURER'S RECOMMENDED TOWING CAPACITY ***.**

FRONT MOUNTED ACCESSORIES

1) Do not exceed front axle Gross Weight Rating (GAWR). Consult owners manual or specification plate located on driver's door frame. Measure gross front axle weight by placing front wheels of loaded vehicle on a scale.

WARNING: Exceeding GAWR may overload the front axle and/or suspension. This could result in **accident, property damage and personal injury.**

- 2) Reposition front mounted license plate if obstructed.
- 3) Do not obstruct vehicle lights.
- 4) Allow free air flow into grille opening.
- 5) Rear wheel traction may be reduced. This could effect handling. Reduce speed and drive with caution.
- 6) Accessories extend front of vehicle. This may reduce approach angle. Use caution when parking and maneuvering.
- 7) Do not obstruct driver view.

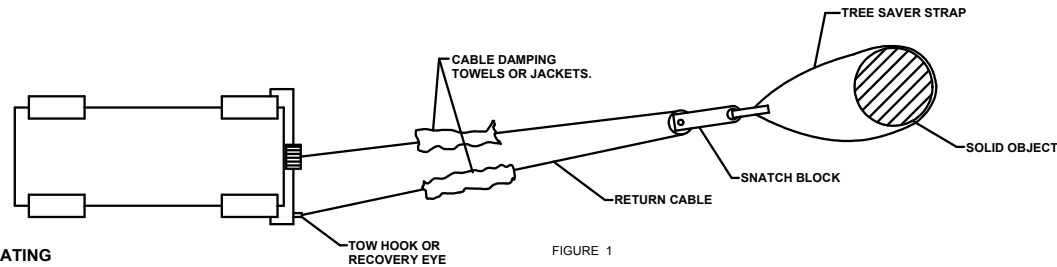
VEHICLE RECOVERY AND WINCHING TIPS

1) Use OEM tow hooks, recovery eyes or a clevis mount for attachment of a tow strap or winch cable.

WARNING: NEVER use a ball and/or ball mount as an anchor point for tow strap or winch cable. Severe personal injury or death could result.

- 2) Observe winch manufacturer's recommendations, cautions and warnings.
- 3) Attach return cable to tow hook or recovery eye when using a snatch block (See figure 1).

CAUTION: Do not attach return cable to winch mount. This may overload winch mount and/or front mounted receiver.

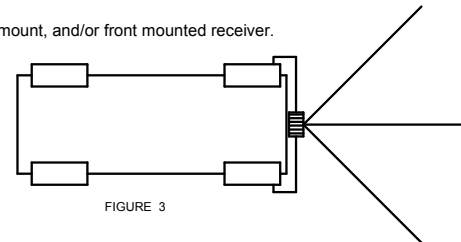
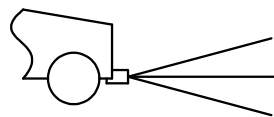


RATING

For **Maximum** line pull rating, winch cable must not exceed:

- 15 degree angle up or down from horizontal (See Figure 2).
- 45 degree angle left or right from straight ahead (See Figure 3).

CAUTION: Exceeding the maximum line pull rating may over load winch, winch mount, and/or front mounted receiver.



31070

FORD F-150

5/27/2015

GROSS LOAD CAPACITY WHEN USED AS A WEIGHT CARRYING HITCH: 5,000 LBS. TRAILER WEIGHT & 500 LBS. TONGUE WEIGHT.

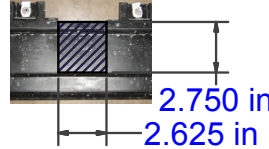
GROSS LOAD CAPACITY WHEN USED AS A STRAIGHT LINE PULL: 9,000 LBS. MAX. LINE PULL.

*** DO NOT EXCEED VEHICLE MANUFACTURER'S RECOMMENDED TOWING CAPACITY. ***

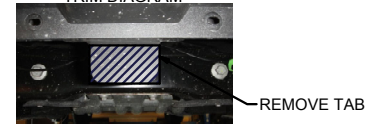
HAVING INSTALLATION QUESTIONS? CALL TECHNICAL SUPPORT AT 1-800-798-0813

Parts List				
ITEM	QTY	PART NUMBER	DESCRIPTION	
1	6	1/2-13 x 1 3/4, GR8	CARRIAGE BOLT	
2	6	CM-SP6	.250 x 1.00 x 3.00" SQUARE HOLE SPACER	
3	6	HFN 1213, GR8	HEX FLANGE NUT	
4	6	1_2 FISHWIRE	1/2" FISHWIRE	
5	2	31070-SP	.375" SPACER	

FRONT LOWER VALANCE TRIM DIAGRAM

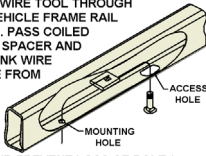


FRONT FASCIA TRIM DIAGRAM



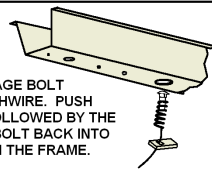
FISHWIRE TECHNIQUE

INSERT COILED END OF FISHWIRE TOOL THROUGH HITCH MOUNTING HOLE IN VEHICLE FRAME RAIL AND OUT THE ACCESS HOLE. PASS COILED END OF FISHWIRE THROUGH SPACER AND THREAD BOLT INTO COIL. KINK WIRE TO KEEP SPACER SEPARATE FROM BOLT AS SHOWN. PULL FISHWIRE, SPACER, AND BOLT THROUGH FRAME AND OUT MOUNTING HOLE. USE FISHWIRE TO GUIDE HITCH DURING MOUNTING AND PREVENT LOSS OF BOLT / SPACER INSIDE FRAME RAIL.

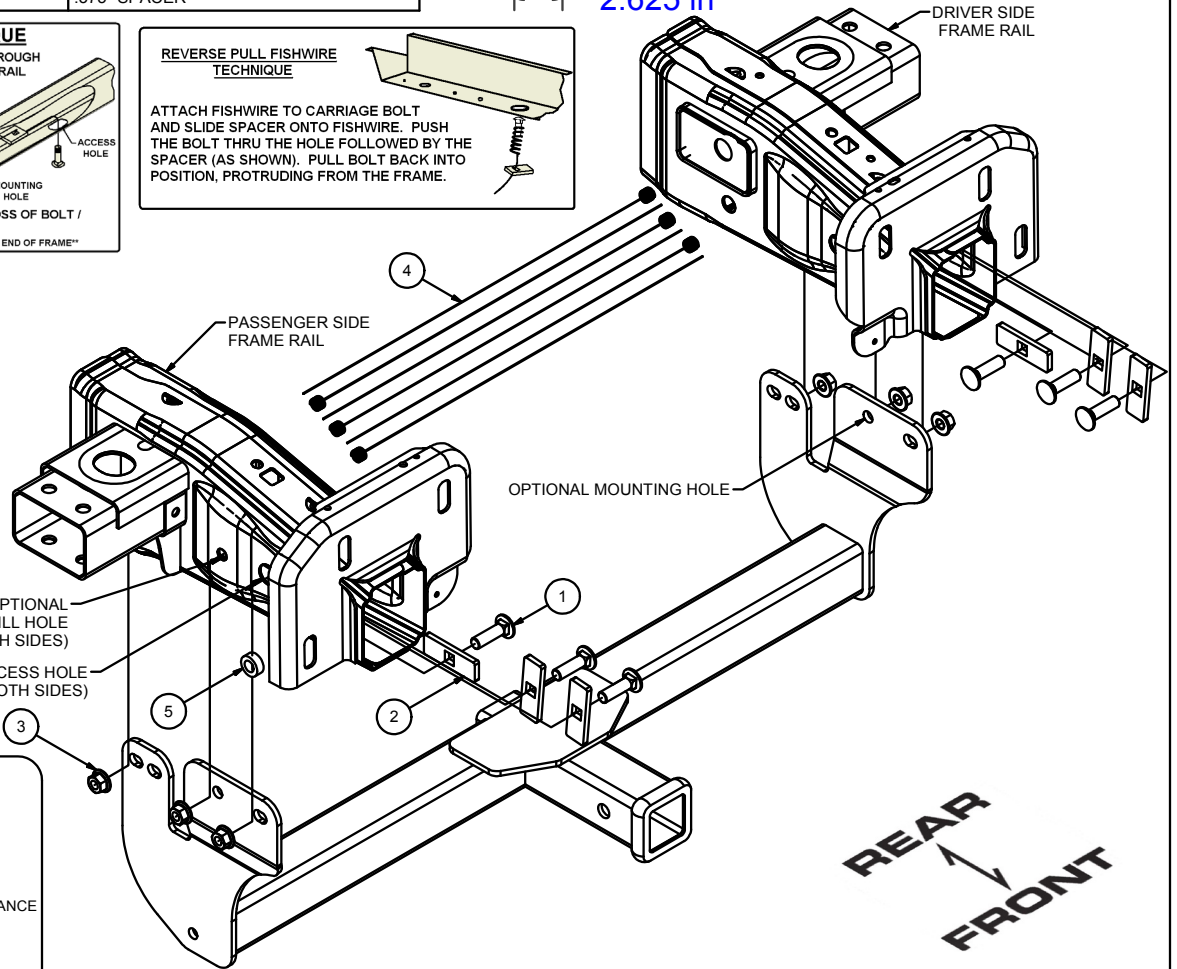


REVERSE PULL FISHWIRE TECHNIQUE

ATTACH FISHWIRE TO CARRIAGE BOLT AND SLIDE SPACER ONTO FISHWIRE. PUSH THE BOLT THRU THE HOLE FOLLOWED BY THE SPACER (AS SHOWN); PULL BOLT BACK INTO POSITION, PROTRUDING FROM THE FRAME.



TOOLS REQUIRED
RATCHET
SOCKET EXTENSION
3/4" SOCKET
10MM SOCKET
TORQUE WRENCH
AVIATION SHEARS
TAPE
MARKER
DRILL WITH 17/32" BIT



REAR
↑
FRONT

HITCH WEIGHT: 39 LBS.

INSTALL TIME

PROFESSIONAL: 45 MINUTES

NOVICE (DIY): 90 MINUTES

INSTALL NOTES:

- TEMPORARILY REMOVE LOWER VALANCE
- FASCIA TRIMMING REQUIRED
- FISHWIRE HARDWARE REQUIRED
- OPTIONAL DRILL HOLE

INSTALLATION STEPS

1. Remove the lower fascia by removing (8) M6 bolts. Trim front lower valance and fascia as required using the diagrams above as a reference only (See front lower valance and front fascia trim diagrams).
2. Fishwire 1/2" carriage bolts and CM-SP6 spacers through access hole and out the larger hole in the frame rail. Leave fishwires attached. (Optional for home plow application: Using hitch as a template drill hole through one side of the frame rail on both sides of the vehicle. Fishwire 1/2" carriage bolts and CM-SP6 spacers through drilled hole.)
3. Reverse fishwire 1/2" carriage bolts, CM-SP6 spacers, and 31070-SP spacer into access hole. Leave fishwires attached.
4. Raise hitch into position pulling fishwires through the sides plates of the hitch.
5. Remove fishwires and install 1/2" hex flange nuts onto carriage bolts.
6. Reinstall lower fascia removed in step 1.
7. Torque all 1/2" hardware to 110 ft-lbs.



Scan for more information

PERIODICALLY CHECK THIS RECEIVER HITCH TO ENSURE THAT ALL FASTENERS ARE TIGHT AND THAT ALL STRUCTURAL COMPONENTS ARE SOUND.

CURT Manufacturing LLC., warrants this product to be free of defects in material and/or workmanship at the time of retail purchase by the original purchaser. If the product is found to be defective, CURT Manufacturing LLC., may repair or replace the product, at their option, when the product is returned, prepaid, with proof of purchase. Alteration to, misuse of, or improper installation of this product voids the warranty. CURT Manufacturing LLC.'s liability is limited to repair or replacement of products found to be defective, and specifically excludes liability for incidental or consequential loss or damage.

FORD F-150

DO NOT EXCEED VEHICLE MANUFACTURER'S RECOMMENDED TOWING CAPACITY.

FRONT MOUNTED ACCESSORIES

1) Do not exceed front axle Gross Weight Rating (GAWR). Consult owners manual or specification plate located on driver's door frame. Measure gross front axle weight by placing front wheels of loaded vehicle on a scale.

WARNING: Exceeding GAWR may overload the front axle and/or suspension. This could result in **accident, property damage and personal injury.**

- 2) Reposition front mounted license plate if obstructed.
- 3) Do not obstruct vehicle lights.
- 4) Allow free air flow into grille opening.
- 5) Rear wheel traction may be reduced. This could effect handling. Reduce speed and drive with caution.
- 6) Accessories extend front of vehicle. This may reduce approach angle. Use caution when parking and maneuvering.
- 7) Do not obstruct driver view.

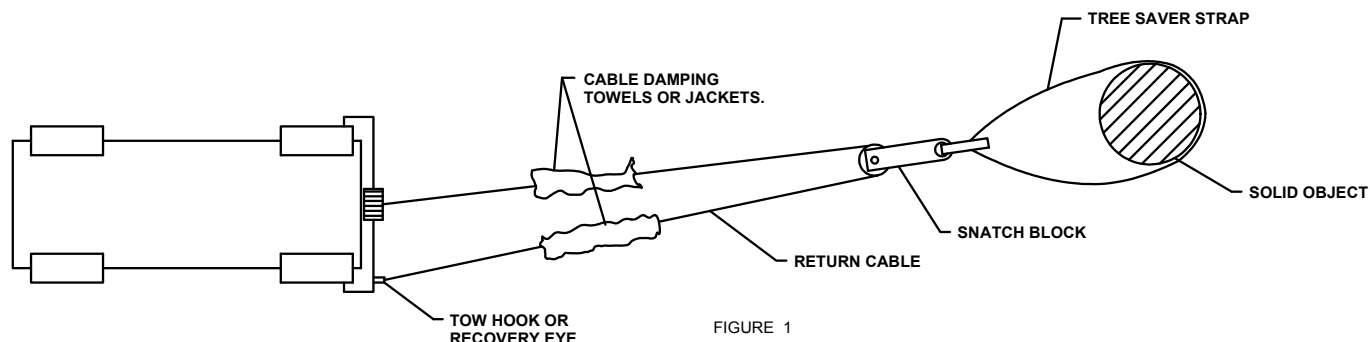
VEHICLE RECOVERY AND WINCHING TIPS

1) Use OEM tow hooks, recovery eyes or a clevis mount for attachment of a tow strap or winch cable.

WARNING: NEVER use a ball and/or ball mount as an anchor point for tow strap or winch cable. Severe personal injury or death could result.

- 2) Observe winch manufacturer's recommendations, cautions and warnings.
- 3) Attach return cable to tow hook or recovery eye when using a snatch block (See figure 1).

CAUTION: Do not attach return cable to winch mount. This may overload winch mount and/or front mounted receiver.



RATING

For **Maximum** line pull rating, winch cable must not exceed:
- 15 degree angle up or down from horizontal (See Figure 2).
- 45 degree angle left or right from straight ahead (See Figure 3).

CAUTION: Exceeding the maximum line pull rating may over load winch, winch mount, and/or front mounted receiver.

