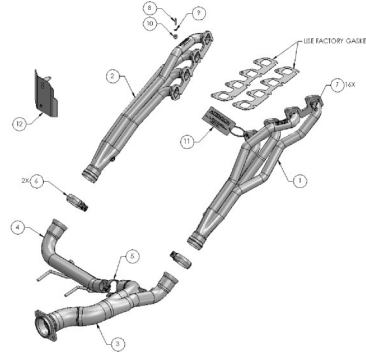


Installation Guide for Ford Raptor PN-17286



These instructions have been written to help you with the installation of your Borla Performance Exhaust System. Please read this document completely before beginning the installation of your system.

Please compare the parts in the box with the bill of materials provided to assure that you have all the parts necessary for this installation.

To ensure this part number fits your specific model year, please visit our website for the latest model year listings at www.BORLA.com.

Thank you for purchasing a Borla Performance Header System.

Borla Performance Off-Road-Use-Only Header System (PN-17286) is designed for the F-150 Ford SVT Raptor, equipped with a 6.2L V-8 engine, 4-wheel drive and automatic transmission.

FOR RACING USE ONLY. NOT LEGAL FOR USE ON PUBLIC ROADS.

Borla Performance Industries recommends that an exhaust shop or professional after market parts installer perform the installation of this system. However, if you decide to perform the installation on your own it is recommended that two people are used. This installation should not be performed by one person due to the risk of injury. Ensure the installers use all under car safety precautions including eye protection.

Please take time to read and understand the following...

By installing your Borla Performance Exhaust System, you indicate that you have read this document and you agree with the terms stated below.

It is the responsibility of the purchaser to follow all installation instruction guidelines and safety procedures supplied with your Borla Performance Exhaust System

Borla Performance Industries assumes no responsibility for damages occurring from misuse, abuse, improper installation, improper operation, lack of responsible care, or all previously stated reasons resulting from incompatibility with other manufacturer's products and/or systems.

Included with your Borla Performance Exhaust System is a warranty card. Please read it carefully before you begin any work on your vehicle. If you should have any questions regarding our warranty policy, installation, or any other matter pertaining to your new Borla Performance Exhaust System, please give us a call at the number provided on the warranty card.

Minimum Required Tool List:

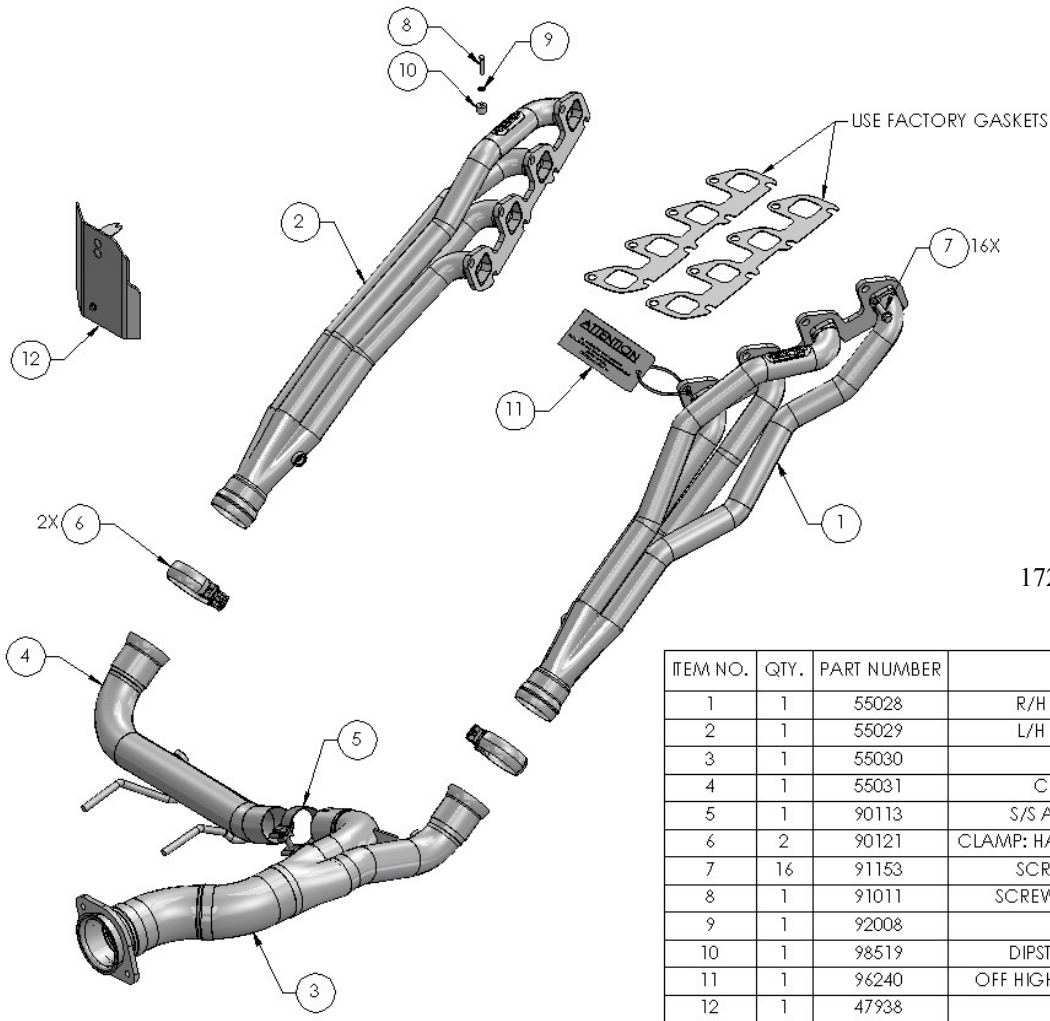
TOOLS:

- 1 3/8" Drive Ratchet
- 2 3/8" Drive Extension 3"
- 3 22mm Socket
- 4 10mm Socket
- 5 15mm Socket
- 6 7/8" Combination Wrench
- 7 13mm Socket

SHOP SUPPLIES:

- 1 Spray Lubricant

Borla Performance - Bill of Materials



17286

ITEM NO.	QTY.	PART NUMBER	DESCRIPTION
1	1	55028	R/H HEADER TUBE ASSEMBLY
2	1	55029	L/H HEADER TUBE ASSEMBLY
3	1	55030	Y-PIPE ASSEMBLY
4	1	55031	CROSS OVER ASSEMBLY
5	1	90113	S/S ACCUSEAL CLAMP ϕ 2.50
6	2	90121	CLAMP: HALF MOON, 304SS, 70mm, 2.75"
7	16	91153	SCREW: M10 X 1.25 X 30mm
8	1	91011	SCREW: CAP, HXHD, M6 X 30MM
9	1	92008	M6 FLAT WASHER
10	1	98519	DIPSTICK SPACER: ϕ .63 X .50"
11	1	96240	OFF HIGHWAY USE ONLY DISCLAIMER
12	1	47938	HEAT SHIELD