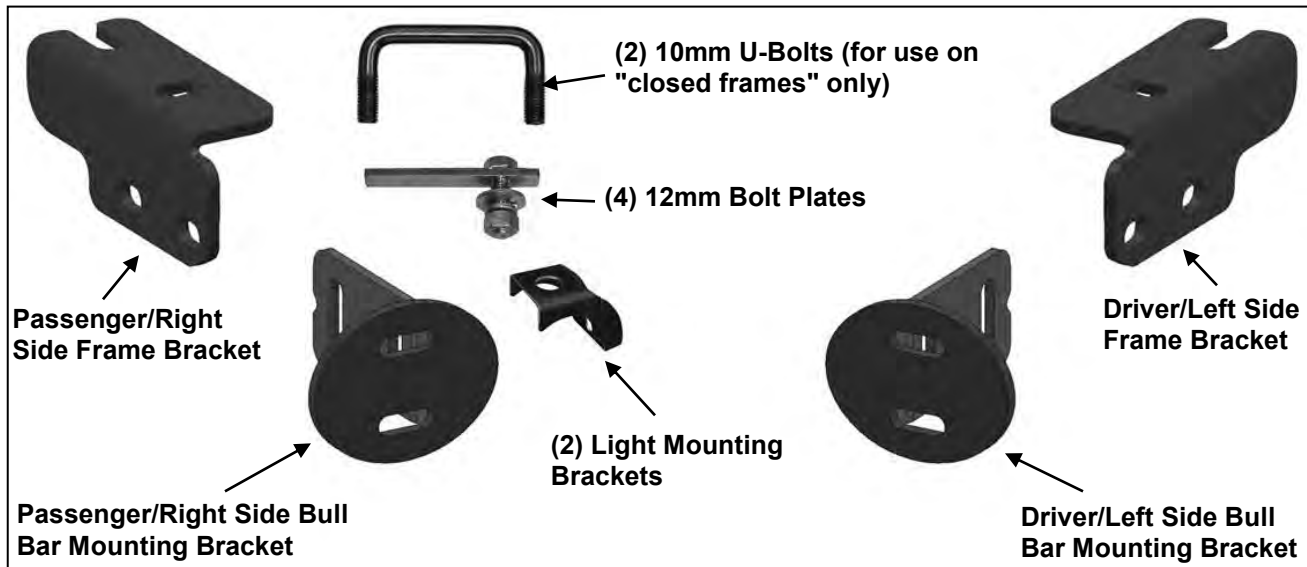




## 2015 Ford F150 3.5" Bull Bar

### PARTS LIST:

Qty	Description	Qty	Description
1	3.5in Oval Bull Bar	2	10mm U-Bolt (for use on "closed frames" only)
1	Driver side Frame Bracket	4	10-1.50mm x 35mm Hex Bolts
1	Passenger Side Frame Bracket	12	10mm x 27mm OD x 3mm Flat Washers
2	Bull Bar Mounting Brackets	8	10-1.50mm Nylon Lock Nuts
2	Light Brackets	4	8-1.25mm x 35mm Hex Bolts
4	12mm x 40mm Bolt Plates	4	8mm x 22mm OD x 2mm Flat Washers
4	12mm x 32mm OD x 3mm Flat Washer	4	8mm Lock Washers
4	12mm Lock Washers	4	6-1.0mm x 20mm SS Button Head Bolts
4	12-1.75mm Hex Nuts	4	6mm x 18mm OD x 1.6mm Flat Washers
		4	6mm Lock Washers



### PROCEDURE:

- REMOVE CONTENTS FROM BOX. VERIFY ALL PARTS ARE PRESENT. READ INSTRUCTIONS CAREFULLY BEFORE STARTING INSTALLATION. CUTTING MAY BE REQUIRED. ASSISTANCE IS RECOMMENDED. NOTE:** It may be necessary to remove/relocate the front license plate and license plate bracket. It is not required, but strongly recommended. If local/state law requires a license plate, license plate relocation kit is available.

- Determine if the vehicle is equipped with tow hooks, **(Figure 1)**.

#### Vehicles with Factory Tow Hooks

- Remove each tow hook by removing the front bolt and only loosening the rear bolt, **(Figure 2)**. Slide the tow hook off. Keep the factory double nut plate in the frame and aligned with the holes. **NOTE:** Tow hooks cannot be reinstalled.
- Select the driver side Frame Bracket. Position the Bracket up to the bottom of the frame. Reuse the tow hook hardware to attach the Bracket to the bottom of the frame and factory double nut plate, **(Figure 3)**.
- Repeat to install the passenger side Frame Bracket.
- Skip to **Step 3**.

#### All vehicles without Tow Hooks

Remove the lower plastic portion of the bumper to gain access to the ends of the frame rails, **(Figure 4)**. The lower bumper or splash guard will need to be cut out to allow the Mounting Brackets and end

of Bull Bar to pass through. On some models, access to the mounting hardware is limited. For access, first remove the plastic bumper cover from each side of the opening and in the center of the bumper, **(Figure 5)**.

**Vehicles without Tow Hooks and open end of frame**

- a. Starting on the driver side of the vehicle, insert (1) 12mm Bolt Plate through the opening in the end of the frame and down through the rear hole in the bottom of the frame, **(Figure 6A)**. Thread (1) 12mm Flat Washer, (1) 12mm Lock Washer and (1) 12mm Hex Nut onto the end of the Bolt Plate.
- b. Slide the slotted end of the driver side Bracket under the nut and washers. Insert the second 12mm Bolt Plate through the remaining hole toward the front of the Mounting Bracket. Secure the Bracket to the Bolt Plate with (1) 12mm Lock Washer, (1) 12mm Flat Washer and (1) 12mm Hex Nut, **(Figure 6B)**.
- c. Snug but do not tighten the hardware at this time.
- d. Repeat to install the passenger side frame Bracket.

**Vehicles without Tow Hooks, closed end of frame**

- a. Starting on the driver side of the vehicle, locate the two holes on the bottom of the frame. Insert (1) 10mm U-Bolt into one hole and out the other, **(Figures 7A & 7B)**.
  - b. Hold the driver side Bracket up in position with the slotted end toward the rear. Secure the Bracket to the U-Bolt with (2) 10mm Flat Washers and (2) 10mm Nylon Lock Nuts, **(Figure 8)**.
  - c. Snug but do not tighten the hardware.
  - d. Repeat to install the passenger side frame Bracket.
3. Next, carefully unwrap the Bull Bar. Select the driver side Bull Bar Mounting Bracket, **(Figure 9)**. Attach the Bracket to the end of the Bull Bar with (2) 8mm x 35mm Hex Bolts, (2) 8mm Lock Washers and (2) 8mm Flat Washers, **(Figures 10A & 10B)**. Center the mounting flange on the Bracket with the end of the tube on the Bull Bar. Snug but do not tighten hardware. Repeat this Step to install the passenger side Mounting Bracket.
  4. With assistance, line up the mounting tabs on the Bull Bar with the inside of the (2) previously installed Frame Mounting Brackets. Bolt the Bull Bar to the Brackets with the included (4) 10mm x 35mm Hex Bolts, (8) 10mm Flat Washers, (4) 10mm Nylon Lock Nuts, **(Figure 11)**. Snug but do not tighten hardware at this time.
  5. Level and adjust the Bull Bar properly and tighten all hardware.

**Models without openings in lower bumper or splash guard for tow hooks.** Hold the cover up to the bottom of the bumper, **(Figure 12A)**. Trace the location of both Brackets onto the back of the cover. Temporarily remove the Bull Bar with attached Tube Brackets only. Cut openings in the cover to clear the Frame Brackets and end of Bull Bar as necessary, **(Figure 12B)**. For best results, start with a small slot and slowly enlarge the opening to clear the Brackets. Once cover is properly fit to the Brackets, reinstall the cover and Bull Bar as previously described.

6. Determine if accessory lights will be installed.

**If lights will not be installed at this time:**

- a) Insert the included (4) 6mm x 20mm Button Head Bolts, (4) 6mm Lock Washers and (4) 6mm Flat Washers into the threaded inserts in the back of the crossbar to plug the holes, **(Figure 13)**. Tighten hardware. Installation is complete.

**If aftermarket lights will be installed, (lights not included):**

- a) Select (1) Light Mount, **(Figure 14)**. Use the hardware included with the light to attach the light to the top of the Light Mount. If light has a separate tilt feature, fully tighten base mounting hardware, **(See example Figure 13)**. If light adjusts with the base mounting hardware, skip to **Step 9b**.
- b) Remove the rubber plug on the top of the crossbar. Bolt the light and Light Mount to the back of the Bull Bar with the included (4) 6mm x 20mm Button Head Bolts, (4) 6mm Lock Washers and (4) 6mm Flat Washers, **(Figure 15)**. **NOTE:** If light adjusts with the base mounting hardware, hand-tighten the light hardware; do not fully tighten hardware at this time. You may have to install, adjust, remove light with Bracket and readjust a few times to get the light properly adjusted.
- c) Once properly adjusted, tighten light to Bracket hardware then tighten Bracket to Bull Bar hardware.
- d) Repeat the above **Steps 9a—9c** to install remaining light and Light Mount.

7. Do periodic inspections to the installation to make sure that all hardware is secure and tight.

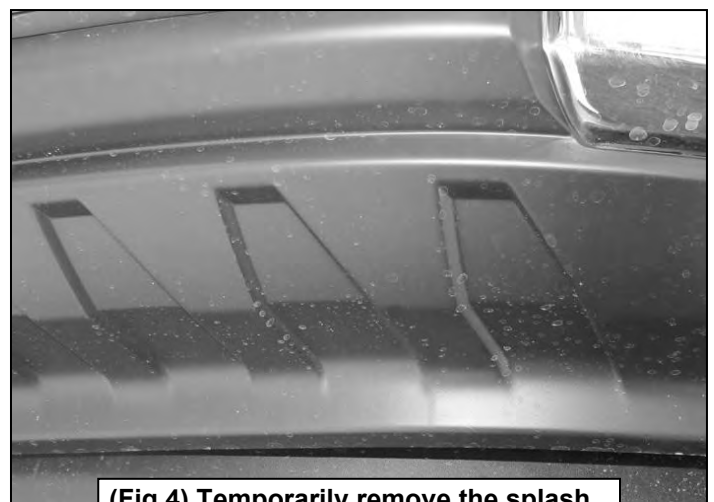
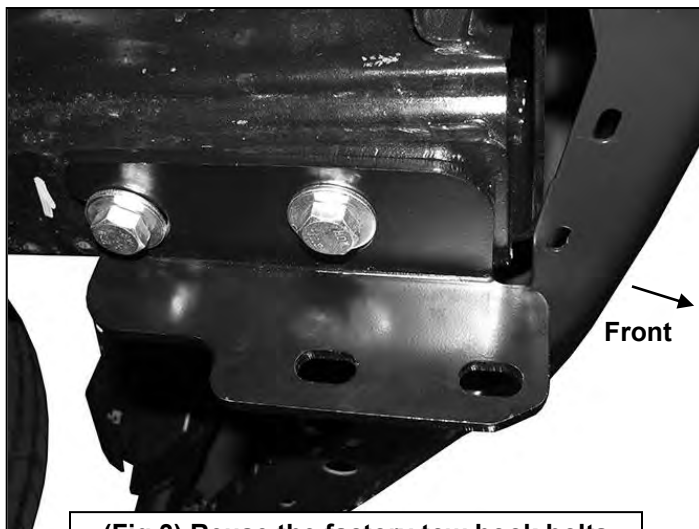
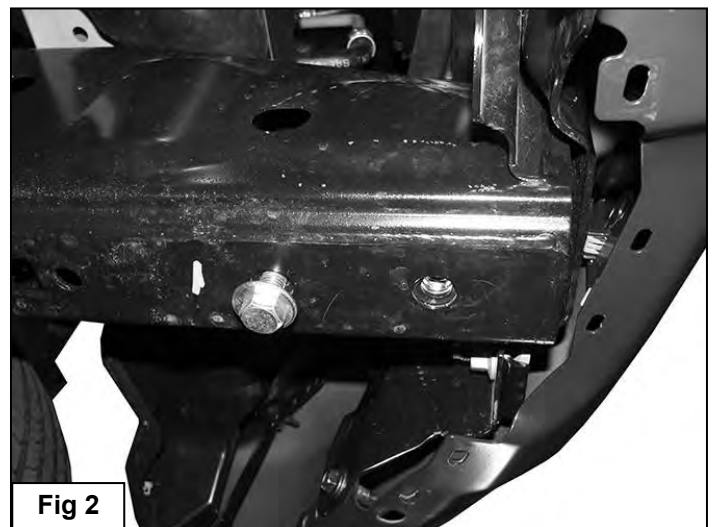
**To protect your investment**, wax this product after installing. Regular waxing is recommended to add a protective layer over the finish. Do not use any type of polish or wax that may contain abrasives that could damage the finish.

**For stainless steel:** Aluminum polish may be used to polish small scratches and scuffs on the finish. Mild soap may be used also to clean the Bull Bar.

**For gloss black finishes:** Mild soap may be used to clean the Bull Bar.

### Driver Side Installation Pictured

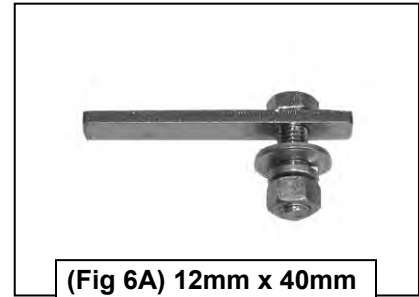
Remove tow hooks if equipped



### Driver Side Installation Pictured

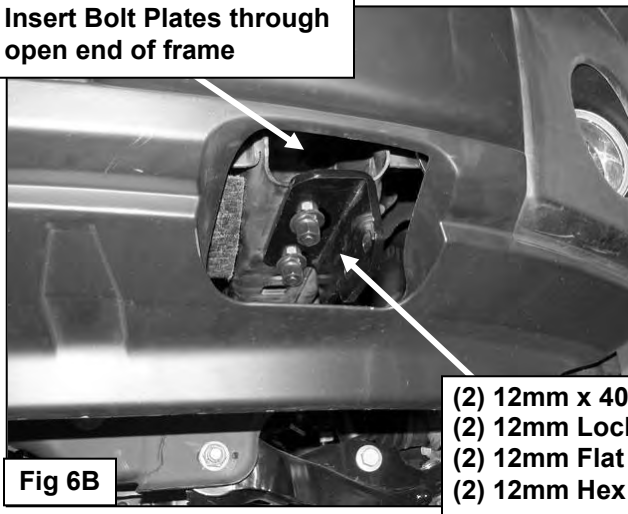


(Fig 5) Remove bumper pads to access splash guard hardware if necessary. 2015 F150 pictured



(Fig 6A) 12mm x 40mm Bolt Plates

Insert Bolt Plates through open end of frame

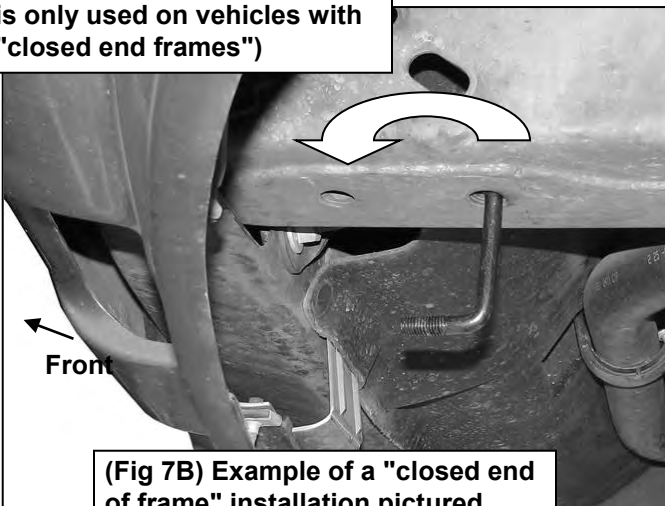


- (2) 12mm x 40mm Bolt Plates
- (2) 12mm Lock Washers
- (2) 12mm Flat Washers
- (2) 12mm Hex Nuts



(Fig 7A) 10mm U-Bolt

Insert 10mm U-Bolt into one hole and out the other. (U-Bolt is only used on vehicles with "closed end frames")



(Fig 7B) Example of a "closed end of frame" installation pictured

- 10mm U-Bolt
- (2) 10mm Flat Washers
- (2) 10mm Nylon Lock Nuts

Example of a "closed end of frame" pictured

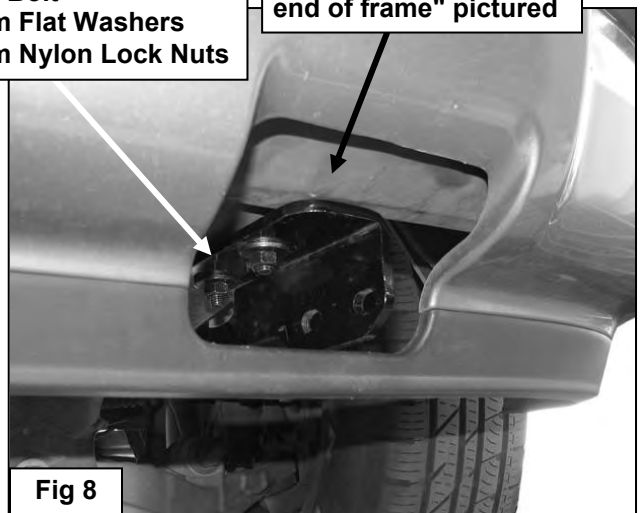
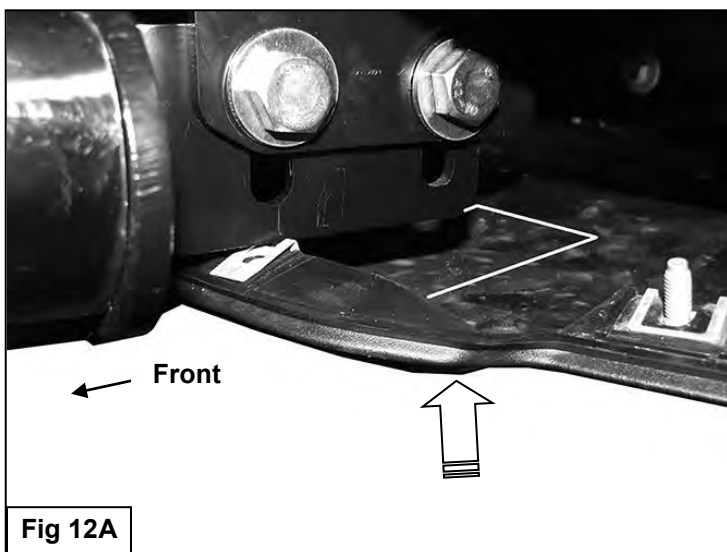
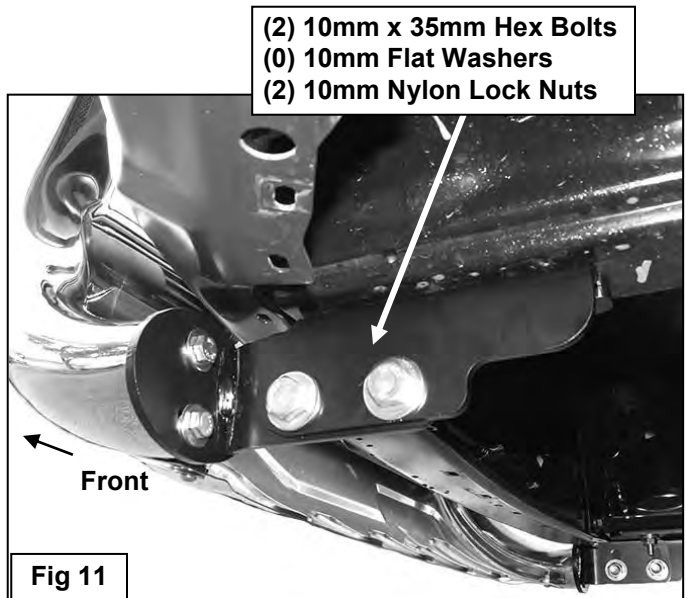
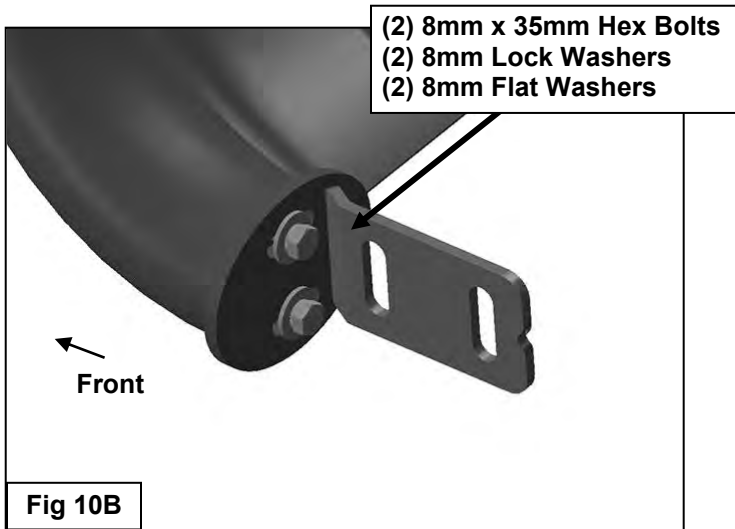
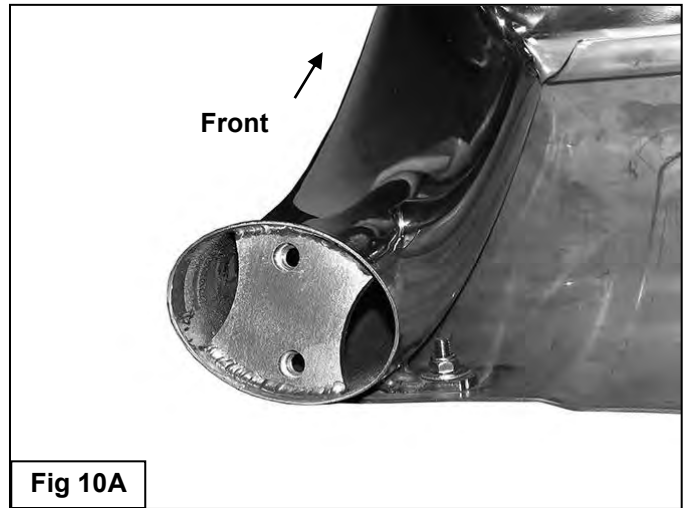
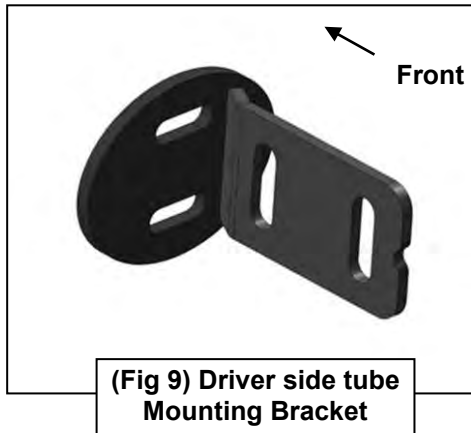


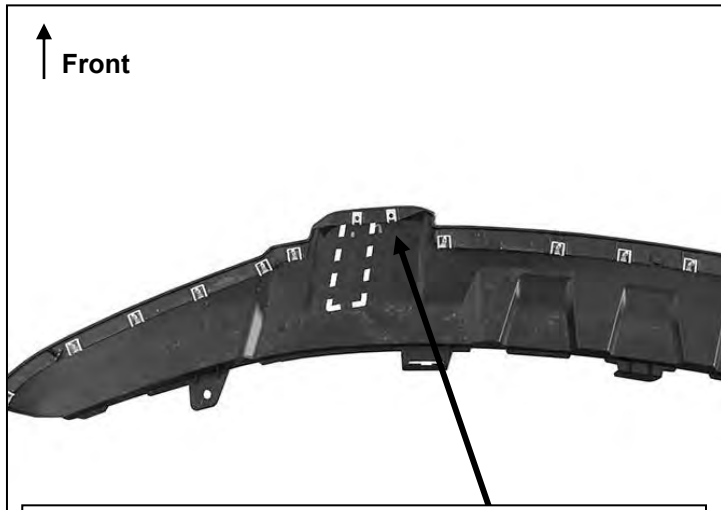
Fig 8

**Driver Side Installation Pictured**



**Hold the splash guard up to the bottom of the Brackets. Trace the location of the Brackets onto the inside of the splash guard. Use a sharp knife or hacksaw blade to cut out the plastic cover. Only cut enough to clear the Brackets, do not cut through the front or rear edges of the cover.**

### Driver Side Installation Pictured



(Fig 12B) Only cut enough to clear the Brackets, do not cut through the front or rear edges of the cover.

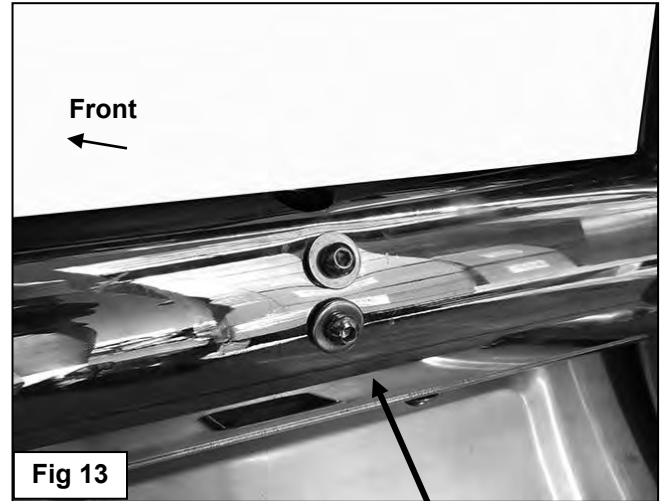
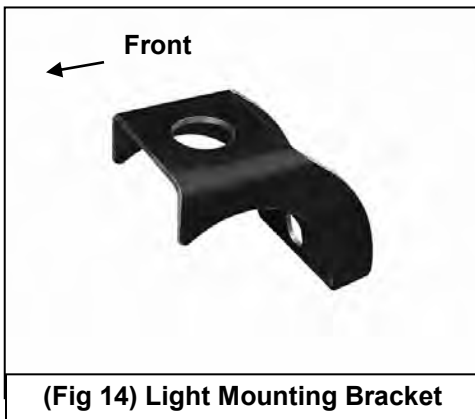
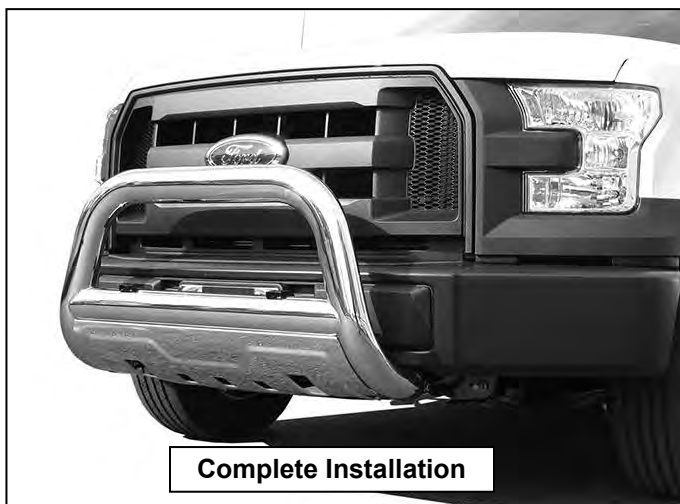


Fig 13

- (2) 6mm x 20mm Button Head Bolts
- (2) 6mm Lock Washers
- (2) 6mm Flat Washers



(Fig 14) Light Mounting Bracket



Complete Installation

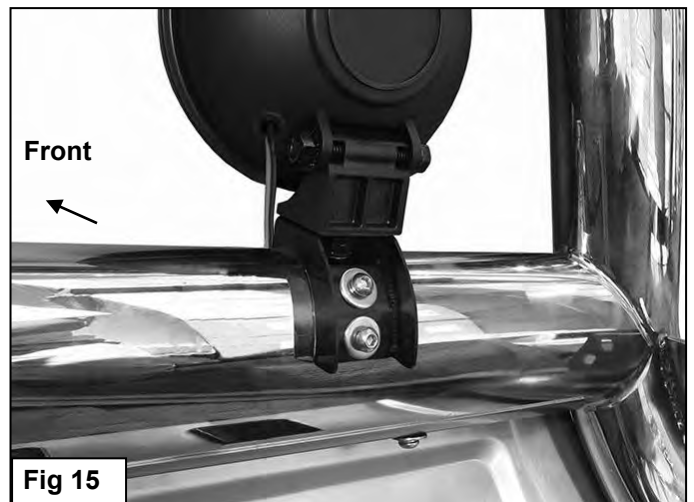


Fig 15

Light pictured for example only-  
light not included