

# SmartAIR II™

by AIR LIFT®

## Kits 25490, 25491

*Automatic Self-Leveling  
System*



## INSTALLATION GUIDE

For maximum effectiveness and safety, please read these instructions completely before proceeding with installation.

*Failure to read these instructions can result in an incorrect installation.*





# TABLE OF CONTENTS

<b>Introduction</b> .....	<b>2</b>
Important System Information .....	2
Notation Explanation .....	2
<b>Hardware List</b> .....	<b>3</b>
<b>Installing the SmartAir II System</b> .....	<b>3</b>
Recommended Compressor Locations .....	3
Installing the Compressor and Exhaust Solenoid .....	4
Installing the Air Line .....	4
Attaching the Electronic Height Sensor .....	5
Attaching the Magnet and Mounting Bracket .....	6
Installing the Electrical Components .....	7
Installation Diagram .....	8
Adjusting the System .....	11
Checking the System .....	11
<b>Troubleshooting Guide</b> .....	<b>13</b>
<b>Product Use</b> .....	<b>13</b>
<b>Replacement Information</b> .....	<b>16</b>
<b>Contact Information</b> .....	<b>16</b>
<b>Limited Warranty and Return Policy</b> .....	<b>17</b>



# Introduction

The purpose of this publication is to assist with the installation, maintenance and troubleshooting of the SmartAir II System.

It is important to read and understand the entire installation guide before beginning installation or performing any maintenance, service or repair. The information here includes a hardware list, tool list, step-by-step installation information, maintenance tips, safety information and a troubleshooting guide.

Air Lift Company reserves the right to make changes and improvements to its products and publications at any time. For the latest version of this manual, contact Air Lift Company at (800) 248-0892 or visit our website at [www.airliftcompany.com](http://www.airliftcompany.com).

## IMPORTANT SYSTEM INFORMATION

The system is comprised of an Electronic Height Sensor (EHS), a bracket mounted magnet, solenoid valve, relay, air compressor, and an interconnecting wire harness. This system is combined with the previously installed air bags.

The EHS is mounted to the vehicle frame and the magnet is mounted to the axle or leaf spring. When load is added to the vehicle, the magnet rises above the EHS centerline (as the suspension is compressed). If the magnet maintains this position for a minimum of 15-20 seconds, the EHS will turn on the compressor, via the relay, adding air to the air bags. Air is added until the magnet is re-centered restoring the vehicle to its preset ride height.

When load is removed from the vehicle, the magnet falls below the EHS and energizes the solenoid valve. This allows the air to escape from the air bags until the magnet is re-centered, restoring the vehicle to its preset ride height.

## NOTATION EXPLANATION

Hazard notations appear in various locations in this publication. Information which is highlighted by one of these notations must be observed to help minimize risk of personal injury or possible improper installation, which may render the vehicle unsafe. Notes are used to help emphasize areas of procedural importance and provide helpful suggestions. The following definitions explain the use of these notations as they appear throughout this guide.

 **DANGER**

INDICATES IMMEDIATE HAZARDS WHICH WILL RESULT IN SEVERE PERSONAL INJURY OR DEATH.

 **WARNING**

INDICATES HAZARDS OR UNSAFE PRACTICES WHICH COULD RESULT IN SEVERE PERSONAL INJURY OR DEATH.

 **CAUTION**

INDICATES HAZARDS OR UNSAFE PRACTICES WHICH COULD RESULT IN DAMAGE TO THE MACHINE OR MINOR PERSONAL INJURY.

## NOTE

*Indicates a procedure, practice or hint which is important to highlight.*

# Hardware List \*

Item	Part #	Description.....Qty	Item	Part #	Description.....Qty
A	72119	Electronic Height Sensor (EHS) ..... 1	M	01426	Clamp Bar..... 1
B	16060	Compressor..... 1	N	18435	3/8" - 16 Nylon Locking Nut..... 2
C	21984	Exhaust Solenoid Assembly ..... 1	O	18444	3/8" Flat Washer ..... 2
D	26687	Harness ..... 1	P	17132	#8 - 18 x 1/2" Self-Tapping Screw ..... 1
E	20946	1/4" Air Line..... 20 ft.	Q	11997	Brkt SmartAir II Sensor..... 1
F	10966	Magnet..... 1	R	24752	Butt Splice (12-10GA)..... 1
G	10967	Magnet Mounting Bracket..... 1	S	17263	1/4-14 x 1" Self-Tapping Screw ..... 2
H	10466	8" Black Zip Tie..... 12	T	17925	10-24 x 1" Flat Socket Cap Screw ..... 2
I	21838	1/4" x 1/4" x 1/4" Union Tee..... 2	U	18590	1 Flat Washer ..... 1
J	17173	14-1/4 x 3/4" Self-Tapping Screw ..... 1	V	18591	10-24 Nylon Lock Nut..... 3
K	18600	10-24 x 1.25" Flat Socket Cap Screw..... 1	W	11269	Clamp P, 1"..... 1
L	10583	3/8" x 3.5" x 4.5" U-bolt..... 1			

\* Dual system doubles all quantities

## Installing the SmartAir II System

### RECOMMENDED COMPRESSOR LOCATIONS

#### Important

LOCATE COMPRESSOR IN DRY, PROTECTED AREA ON VEHICLE.  
DIRECT SPLASH OR EXCESSIVE MOISTURE CAN DAMAGE  
THE COMPRESSOR AND CAUSE SYSTEM FAILURE.

Disclaimer: If choosing to mount the compressor outside the vehicle, keep in mind the compressor body must be shielded from direct splash.

#### **Please also remember ...**

- To avoid mounting the compressor or Electronic Height Sensor (EHS) in high-heat environments such as near exhaust or under hood.
- To check to make sure the harness will reach all required components based on where they will be mounted.
- The compressor can be mounted in any position — vertical, upside down, sideways, etc.

## INSTALLING THE COMPRESSOR AND EXHAUST SOLENOID

1. If mounting the compressor outside the cabin, select a rigid mounting location on the vehicle's frame or crossmember that shields the compressor from the elements and heat sources.
2. Once a location has been determined, use self-tapping screws supplied with compressor to fasten compressor securely to the vehicle. Make sure to attach ground wire from compressor to one of the mounting screws. (Fig. 9)

### NOTE

*The compressor and exhaust solenoid must be mounted no more than 24" apart in order for the wires to reach . Do not extend the wires.*

### CAUTION

MOUNT THE COMPRESSOR AND EXHAUST SOLENOID AT LEAST 6" FROM ANY HEAT SOURCES. DO NOT MOUNT THE COMPRESSOR IN THE ENGINE COMPARTMENT.

3. Mount the exhaust solenoid no more than 24" from the compressor (Fig. 9). Use the P-clamp (W) and self-tapping screw (J) to securely fasten it to the vehicle.

## INSTALLING THE AIR LINE

### NOTE

*The Schrader valves and air lines included with the air bag kit will be used as part of this installation. See Figure 9 for complete installation diagram.*

1. Cut a length of air line (E) to connect the compressor (B) to the exhaust solenoid (C).
2. Cut a length of air line to connect the exhaust solenoid to a union tee (I) that will feed one air bag and another union tee.
3. Cut a length of air line to connect to the second union tee that will feed the Schrader valve and the other air bag.

### Tips for installing air lines

When cutting air lines, use a sharp knife or a hose cutter and make clean, square cuts (Fig. 1). Do not use scissors or wire cutters because these tools may deform the air line, causing it to leak around fittings. Do not cut the lines at an angle.

Do not bend the 1/4" hose at a radius of less than 1" and do not put side load pressure on fitting. The hose should be straight beyond the fitting for 1" before bending.

Inspect hose for scratches that run lengthwise on hose prior to installation. Contact Air Lift customer service at (800) 248-0892 if the air line is damaged.



To watch a video demonstrating proper air line cutting, go to [air-lift.co/cuttingairline](http://air-lift.co/cuttingairline)

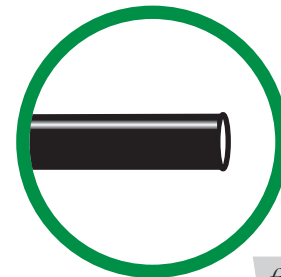


fig. 1

## ATTACHING THE ELECTRONIC HEIGHT SENSOR (EHS)

- Using the socket cap screws (T) and nylon lock nut (V), attach the electronic height sensor (A) to the bracket (Q). (Fig. 2)

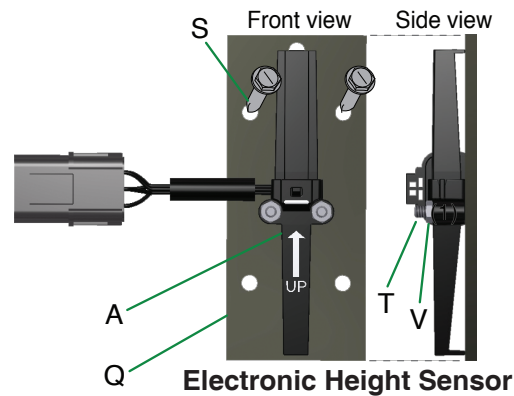


fig. 2

- Choose a mounting location along the frame rail for the height bracket and sensor. (Fig. 3)

**CAUTION**

STAY CLEAR OF ANYTHING THAT MAY COME IN CONTACT WITH THE HEIGHT SENSOR WHILE THE SUSPENSION TRAVELS IN JOUNCE AND COMPRESSION.

- Use the self-tapping screws (S) to mount bracket to the frame at the chosen location. (Fig. 3)

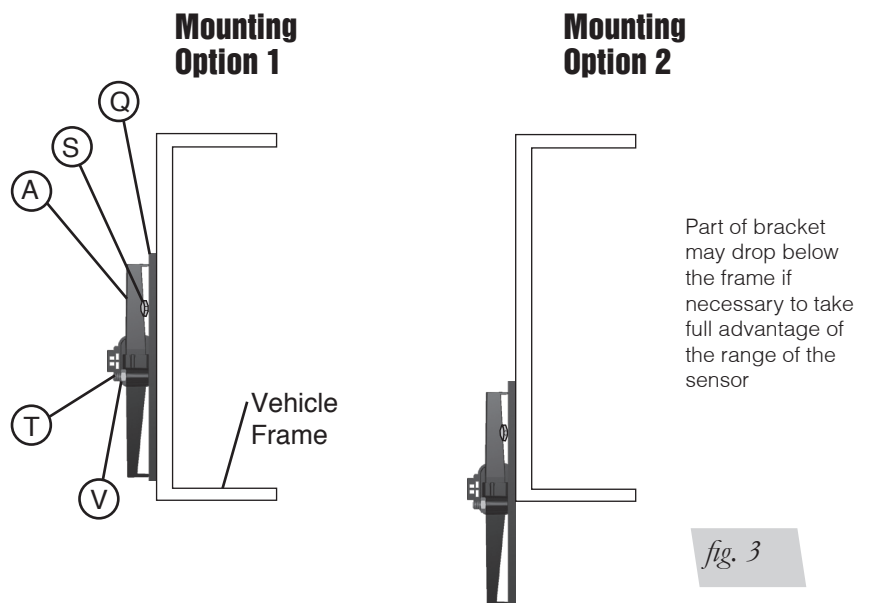


fig. 3

## ATTACHING THE MAGNET AND MOUNTING BRACKET

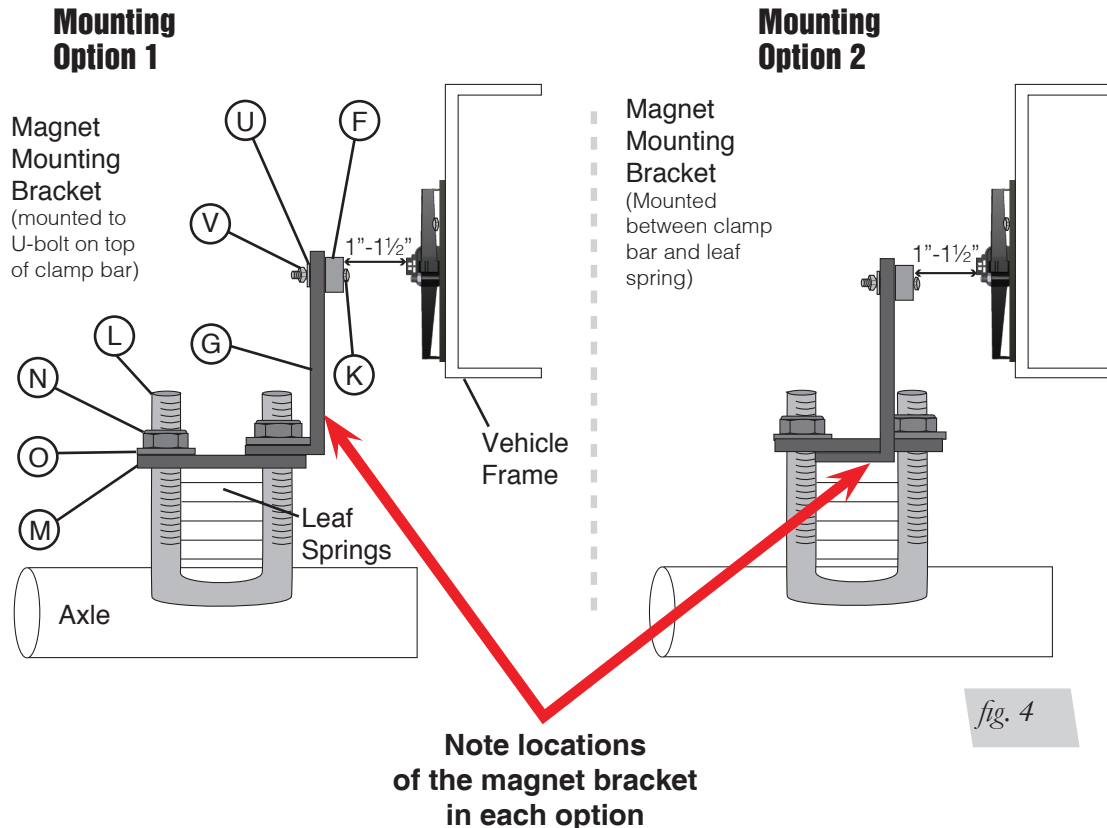
**CAUTION**

THE MAGNET HAS A STRONG PULL. USE CARE WHEN HANDLING TO AVOID PINCHING FINGERS OR SKIN.

1. Place the supplied U-bolt (L) around the leaf springs near the previously mounted height sensor in either of the two configurations. (Fig. 4)
2. Using Figure 4 as a guide, choose the best mounting method for this vehicle.

**NOTE**

When choosing the mounting method, keep in mind that the center of the magnet must align with the height sensor when the vehicle is at ride height. The magnet and the height sensor must be between 1" - 1 1/2" apart.



3. Attach the magnet mounting bracket (G) to the U-bolt at the chosen mounting location per Figure 4. There must be 1" - 1 1/2" between the magnet and the electronic height sensor (EHS).
4. Loosely attach the magnet (F) to the bracket using the flat socket cap screw (K), flat washer (U) and nylon lock nut (V). (Fig. 4)

**NOTE**

The chamfer on the magnet for the socket cap screw faces the inside of the vehicle toward the electronic height sensor. Leave the magnet loose until the system is ready for adjustment.

5. Align the center of the magnet with the white line on the height sensor. Once the magnet is in line, securely tighten the bracket mounting hardware.



## INSTALLING THE ELECTRICAL COMPONENTS

1. Run the harness from the cab/battery to the exhaust solenoid/compressor location.

### NOTE

*It may be necessary to drill a hole so that the harness can easily pass through from the cab/engine compartment to the vehicle frame. Place a grommet or silicone sealant around any holes that the harness passes through to protect it from abrasive surfaces.*

2. Cut off the male terminals on both the harness black wire and compressor red wire. Use heat shrinkable butt connector (R) to connect the two wires together. Apply heat using a heat gun. (Fig. 5)

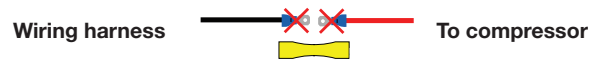


fig. 5

3. Connect the two-pin connector from the solenoid to the mating connector on the main harness. (Fig. 6)



fig. 6

4. Using the wire tap provided with the harness, splice the red wire connected to the 5-amp fuse that feeds the Electronic Height Sensor to a keyed ignition source. (Fig. 7)

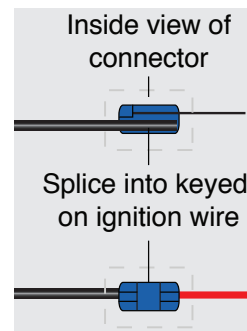


fig. 7

5. Connect the 6-pin connector on the wiring harness to the mating connector on the Electronic Height Sensor. (Fig. 8)

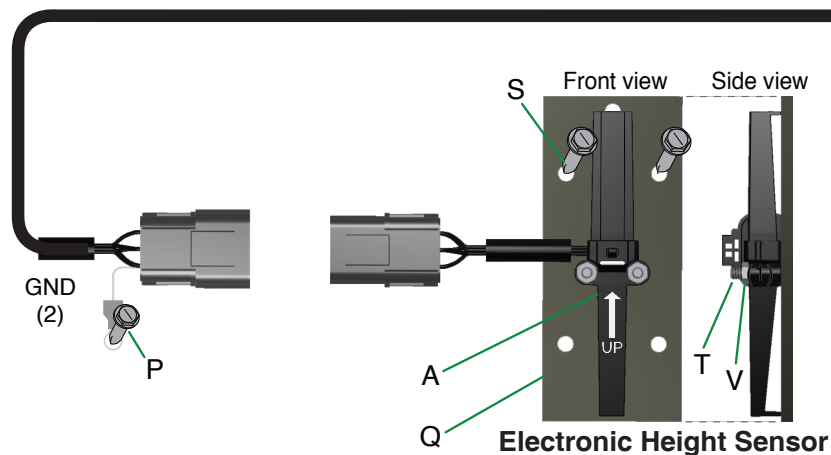
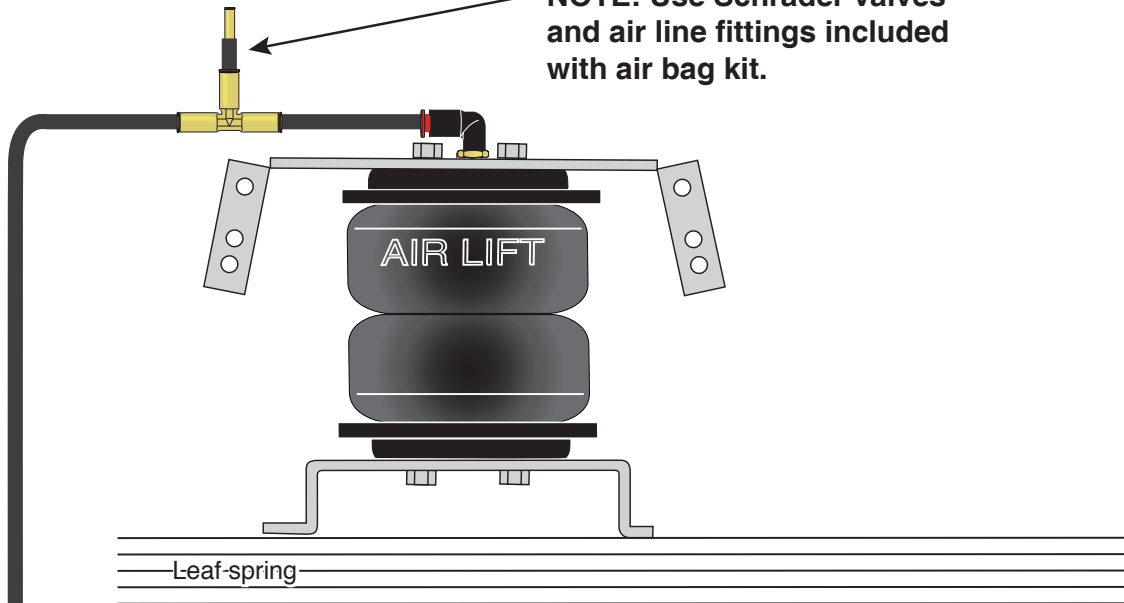


fig. 8

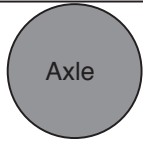
# Installation Diagram

**NOTE:** Use Schrader valves and air line fittings included with air bag kit.

**NOTE:** Single height sensor install shown. Dual height sensor install duplicates the system and independently feeds each air bag assembly.



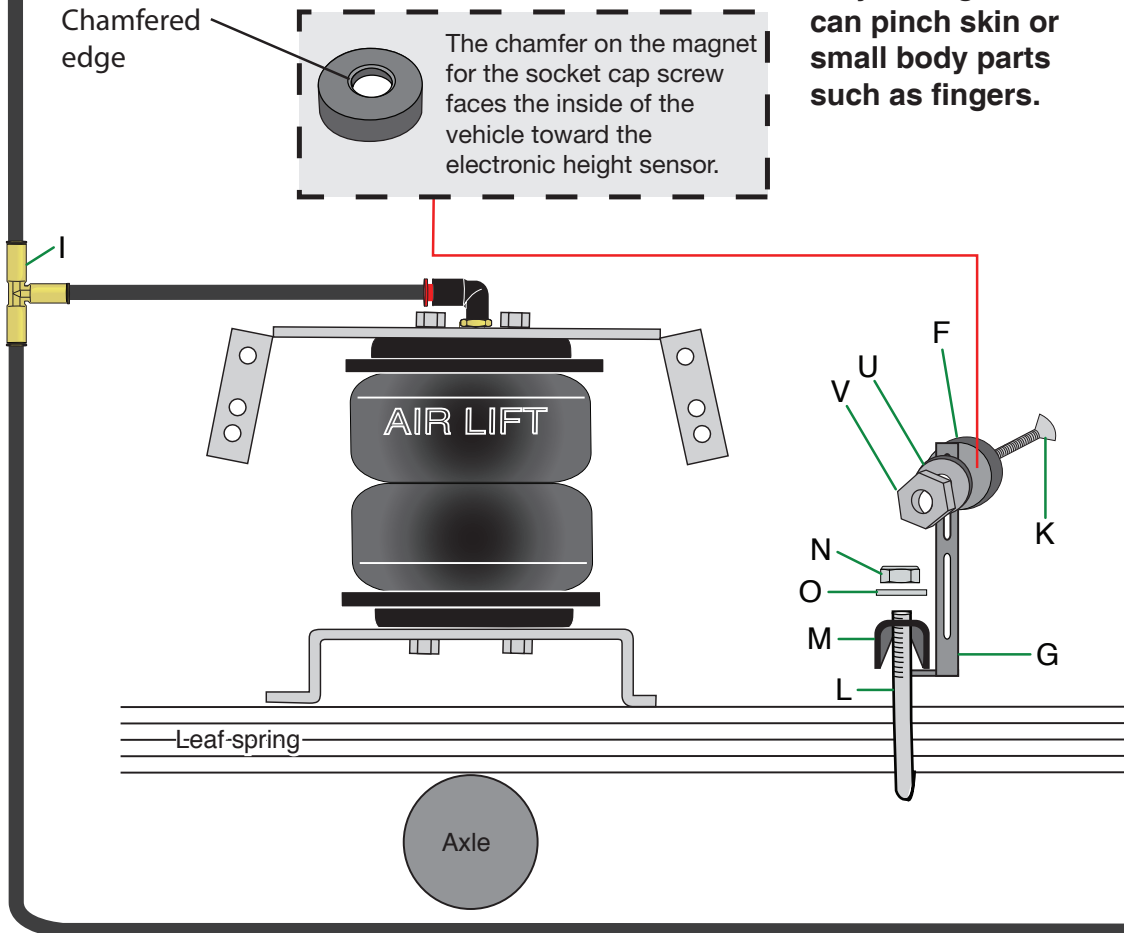
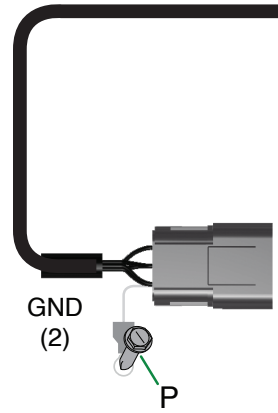
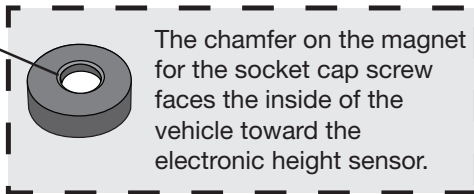
**Air spring kit purchased separately.**



**CAUTION**

The magnet is very strong and can pinch skin or small body parts such as fingers.

Chamfered edge



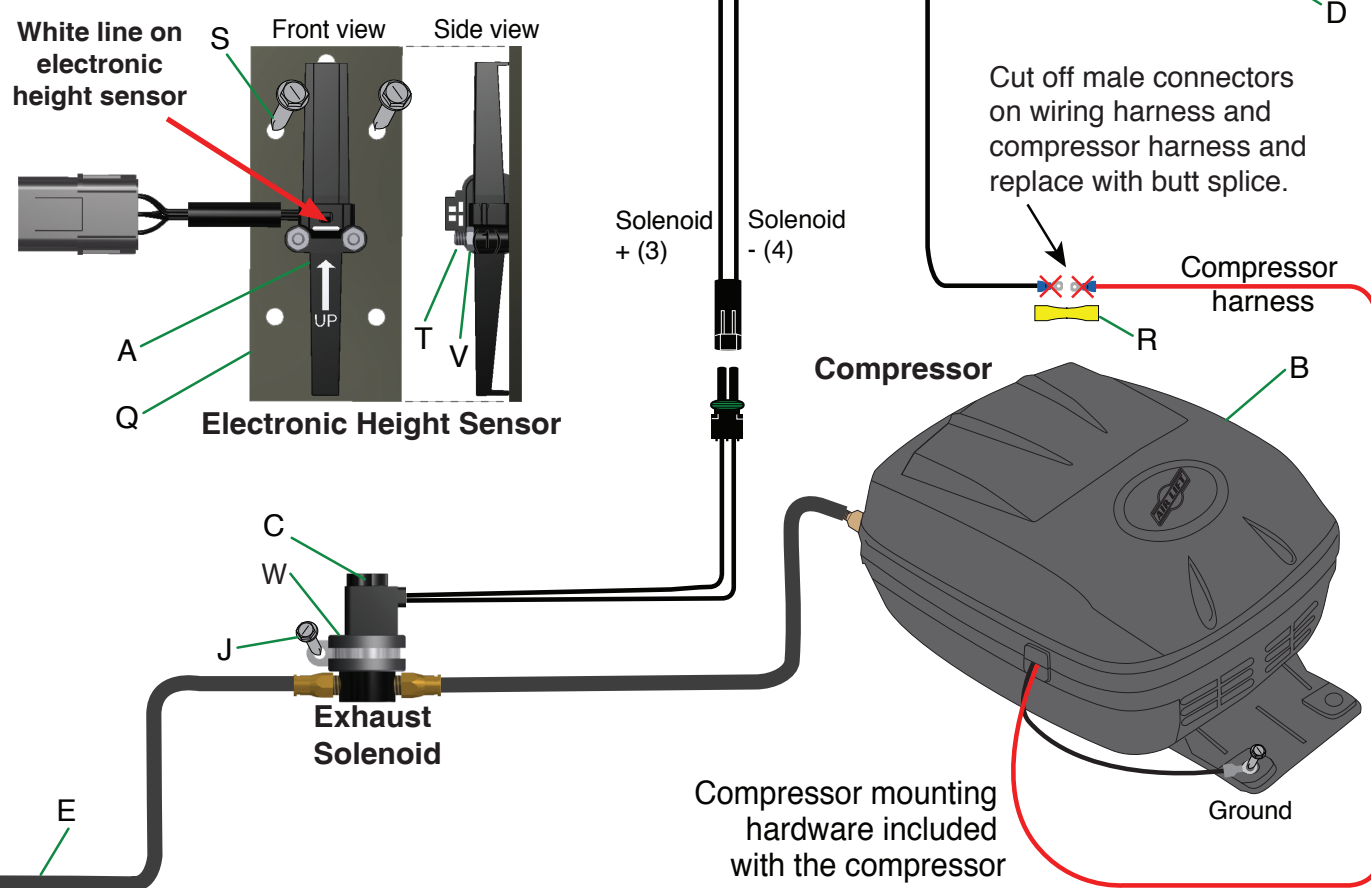
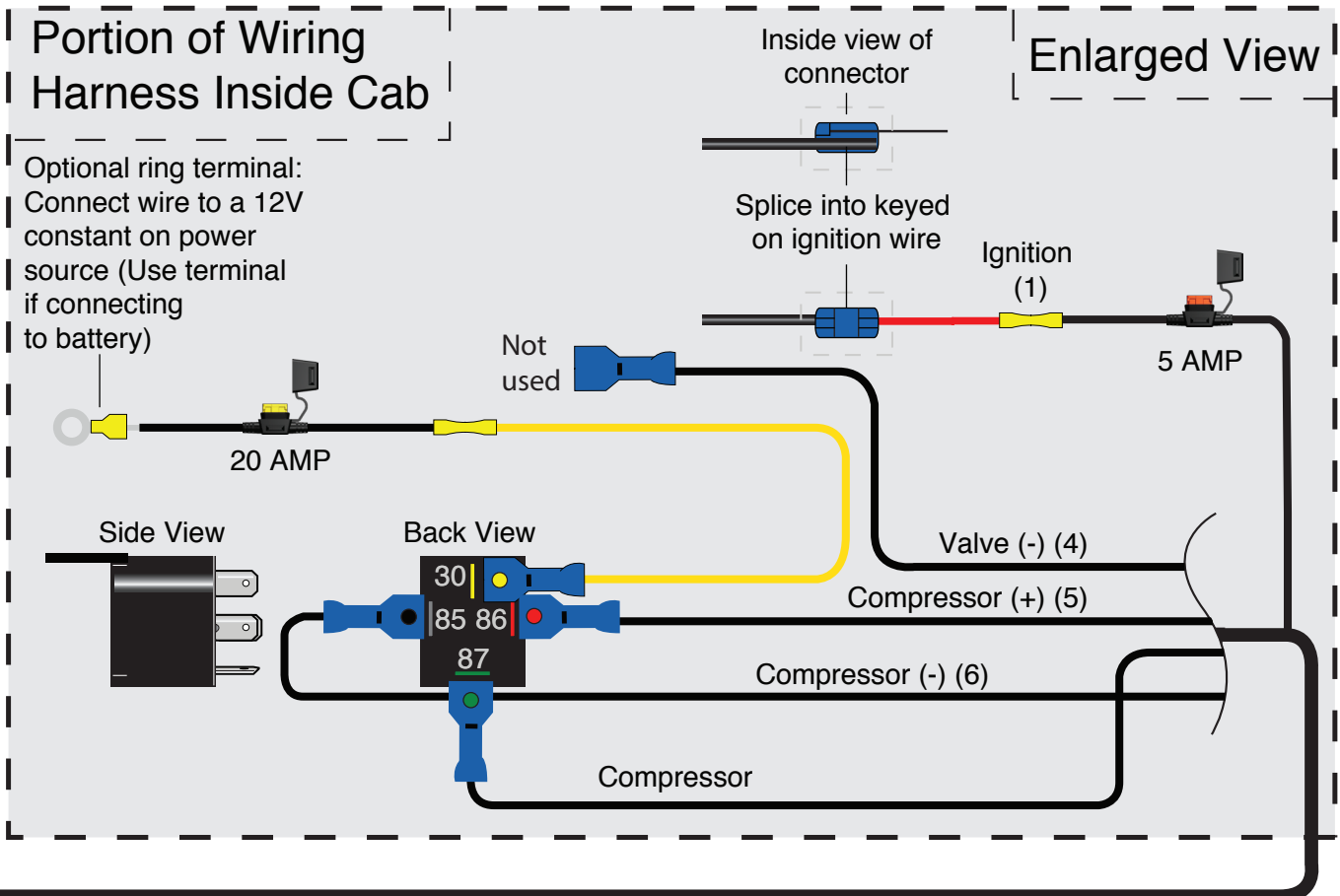


fig. 9

6. Attach the terminal end of the white ground wire on the harness to a clean section of the frame rail using the provided self-tapping screw (P). (Figs. 8 & 9)

**NOTE**

*Grind off the paint, surface rust and debris if connecting the ground directly to the frame to ensure a good connection.*

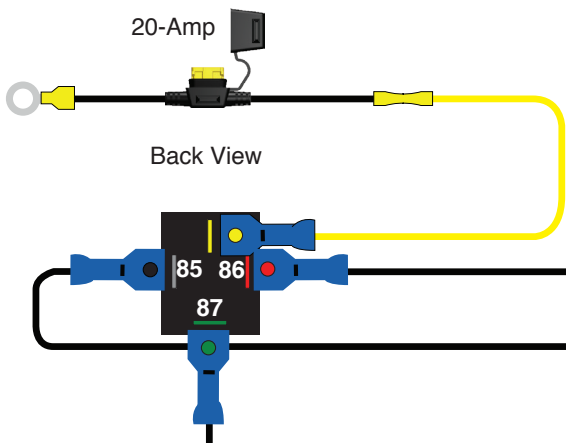
7. Using the butt connector supplied with the harness, attach yellow 12-gauge wire feeding the relay terminal 30 to one end of the 20-amp fuse holder supplied with the harness.
8. If choosing to connect the black wire directly to the battery, use the ring terminal supplied with the harness and attach it to the other end of the fuse holder wire.
9. Attach to an appropriate battery-direct 12-volt source on the vehicle.

**NOTE**

*A direct connection to the battery is suggested.*

**Optional ring terminal**

*Connect wire to a 12V constant on power source. (Use terminal if connecting to battery.)*



*fig. 10*

## ADJUSTING THE SYSTEM

1. Make sure that the distance between the face of the magnet and the height sensor is between 1" and 1 1/2". (Fig. 4)
2. The screw in the center of the magnet must be in line with the white line on the height sensor when the vehicle is at ride height.

 **CAUTION**

THIS MAGNET IS VERY STRONG. IT IS POSSIBLE FOR THE MAGNET TO PINCH FINGERS AND SKIN BETWEEN ANOTHER MAGNET OR METAL OBJECT. CARE SHOULD BE TAKEN WHEN HANDLING THE MAGNET.

3. Adjust the suspension by moving the magnet up or down in the slotted mounting bracket. It is recommended that the magnet be set a half inch below the white line on the electronic height sensor to start. Take a reference measurement from the ground to the rear bumper or the wheel well.
4. Turn the ignition key to the on position and determine if it reaches the desired height. If not, adjust the magnet and check it again.

The preferred method of adjusting the system would be to load the vehicle, then adjust the magnet so that the suspension obtains the desired height. Usually a good starting point would be to set the vehicle (using the magnet) at a level ride height, or one inch below the stock curb height unladen (using the measurement taken in step 3).

There is a 15- to 20-second delay in the system. Once the magnet is set in position and no movement is detected by the Electronic Height Sensor, it will take 15-20 seconds for the compressor or the exhaust solenoid, to turn on and level the vehicle by inflating, or deflating, the air springs in the suspension.

Once the desired ride height is obtained, tighten the magnet mounting screw snug. Do not overtighten.

## CHECKING THE SYSTEM

1. Inspect all air line connections for leaks by using a solution of 1/5 dish soap to 4/5 water. Should a leak be detected in a push-lock-fitting, reinstall the air line to the fitting. Make sure the air line is cut off squarely and that the air line is completely pushed into the fitting. (Fig. 1)
2. If the compressor or the solenoid fails to function, check the 20- and 5-amp fuses along with ground connections. Repair and replace as necessary.



A completed install of the SmartAir II system.

*fig. 11*

# Troubleshooting Guide

PROBLEM	CAUSE	TEST
<i>The system has a 15- to 20-second delay before the compressor and solenoid will function.</i>		
Compressor doesn't run.	Blown 20-amp or 5-amp fuse, bad ground, poor connection, bad compressor or Electronic Height Sensor (EHS).	Check fuses, grounds and connections. Ground terminal 85 at relay to see if compressor runs. Unplug compressor and bench test.
System not exhausting properly.	Blown 5-amp fuse, bad connections, bad solenoid or EHS.	Check fuse and connection. Unplug exhaust solenoid from harness connection. Use jumper wires to vehicle power and ground to check operation. Connect one side of exhaust solenoid connector to power and the other to ground.
Compressor runs all the time.	Leak in air line, fitting or exhaust solenoid, bad relay or EHS.	Locate leak, replace relay or check EHS.
Vehicle does not maintain/reach ride height.	Bad/leaking exhaust solenoid or bad EHS or maxed air bag.	Unplug solenoid and test by jumping power and ground to appropriate circuit in harness to ensure functions. Check air bag pressure and make sure air bag pressure is not maxed out and therefore can't reach desired ride height.
Nothing happens when the vehicle is started.	Blown 5-amp fuse, poor ground or connection.	Check fuses, connections and grounds.
	Bad EHS.	Test individual components to verify and ground terminal 85 (Fig. 9) to test compressor and harness.
	Magnet may not be properly aligned, may be backward or may be improper distance from EHS.	Check magnet alignment, distance, and ensure the chamfered side is facing EHS.

## Product Use

SmartAir II is an automated air management system. It is designed to keep the vehicle level no matter the load without user input. For information about maintenance of the air springs, see the instruction manual that came with the air spring kit. The most up-to-date instruction manual for the air spring kit can be found at [www.airliftcompany.com](http://www.airliftcompany.com). Contact Air Lift customer support at (800) 248-0892.

# Notes



# Notes

---

## Replacement Information

If you need replacement parts, contact the local dealer or call Air Lift customer service at (800) 248-0892. Most parts are immediately available and can be shipped the same day.

**Contact Air Lift Company customer service at (800) 248-0892 first if:**

- Parts are missing from the kit.
- Need technical assistance on installation or operation.
- Broken or defective parts in the kit.
- Wrong parts in the kit.
- Have a warranty claim or question.

**Contact the retailer where the kit was purchased:**

- If it is necessary to return or exchange the kit for any reason.
- If there is a problem with shipping if shipped from the retailer.
- If there is a problem with the price.

## Contact Information

Contact the Air Lift customer service department by calling (800) 248-0892, Monday through Friday with any questions. For calls from outside the USA or Canada, dial (517) 322-2144.

For inquiries by mail, the address is P.O. Box 80167, Lansing, MI 48908-0167. The shipping address for returns is 2727 Snow Road, Lansing, MI 48917.

Contact Air Lift anytime at [sales@airliftcompany.com](mailto:sales@airliftcompany.com) or visit [www.airliftcompany.com](http://www.airliftcompany.com).

# Limited Warranty and Return Policy

## WHAT THIS WARRANTY COVERS

Air Lift Company provides a warranty to the original purchaser of its Load Support Products, for the periods of time listed below, by product line, from the date of original purchase, that the products will be free from defects in workmanship and materials when used on cars and trucks as specified by Air Lift Company and under normal operating conditions, subject to the requirements and exclusions set forth below.

## WHAT THIS WARRANTY DOES NOT COVER

The warranty does not apply to products that have been improperly applied, improperly installed, or which have not been maintained in accordance with installation instructions furnished with all products. This warranty does not apply and is void if damage or failure is caused by: accident, abuse, misuse (including but not limited to racing or off-road activities or commercial use), abnormal use, faulty installation, liquid contact, fire, earthquake or other external cause; operating the product outside Air Lift Company’s instructions, specifications or guidelines; or service, alteration, maintenance or repairs performed by anyone other than Air Lift Company to the product from its purchased condition. This warranty also does not apply to: consumable parts, such as batteries; cosmetic damage, including but not limited to scratches or dents; defects caused by normal wear and tear or otherwise due to the normal aging of the product, or if any serial or identification number has been removed or defaced from the product. Air Lift Company reserves the right to change the design of any product without assuming any obligation to modify any product previously manufactured.

## LIMITATION OF LIABILITY

To the extent permitted by law, this warranty and the remedies set forth herein are exclusive and in lieu of all other warranties, remedies and conditions, whether oral, written, statutory, express or implied. AIR LIFT COMPANY DISCLAIMS ALL STATUTORY AND IMPLIED WARRANTIES, INCLUDING WITHOUT LIMITATION, WARRANTIES OF MERCHANTABILITY AND FITNESS FOR A PARTICULAR PURPOSE AND WARRANTIES AGAINST HIDDEN OR LATENT DEFECTS TO THE EXTENT PERMITTED BY LAW. To the extent such warranties cannot be disclaimed, such implied warranties shall apply only for the warranty period specified above. Please note that some states do not allow limitation on how long an implied warranty (or condition) lasts. So the above limitation may not apply to you. Except as provided in this warranty and to the extent permitted by law, Air Lift Company shall not be liable for any direct, special, incidental or consequential damages resulting from any breach of warranty or condition, or arising in connection with the sale, use or repair of air lift products, or under any other legal theory, including but not limited to loss of use, loss of revenue, loss of actual or anticipated profits, loss of the use of money, loss of business, loss of opportunity, loss of goodwill, and loss of reputation. Air Lift Company’s maximum liability shall not in any case exceed the purchase price paid by you for the Air Lift product. Please note that some states do not allow the exclusion or limitation of incidental or consequential damages, so the above limitation or exclusion may not apply to you.

## HOW TO GET SERVICE

If a defect in workmanship or materials causes your Air Lift product to become inoperable within the warranty period, before returning any defective product, call Air Lift Company at (800) 248-0892 in the U.S. and Canada (elsewhere, (517) 322-2144) to obtain a Returned Materials Authorization (RMA) number. The consumer shall be responsible for removing (labor charges) the defective product from the vehicle and returning it, shipping costs prepaid, to Air Lift Company for verification. Returns to Air Lift Company must be postage prepaid and sent to: Air Lift Company • 2727 Snow Road • Lansing, MI • 48917. You must prove to the satisfaction of Air Lift Company the date of original purchase of your Air Lift product. You must also enclose the RMA number and a return address. A minimum \$10 shipping and handling charge will apply to all warranty claims. You must also pack the product to minimize the risk of it being damaged in transit. If we receive a product in damaged condition as the result of shipping, we will notify you and you must seek a claim with the shipper.

## WHAT AIR LIFT COMPANY WILL DO

If you submit a valid claim to Air Lift Company during the warranty period, Air Lift Company will, at its option, repair your Air Lift product or furnish you with a new or rebuilt product. Air Lift Company will not reimburse you for repairs or replacement parts provided by other parties. Your repaired or replacement Air Lift product will be returned to you (subject to payment of the required warranty claim shipping and handling charge) and it will be covered under the warranty for the balance of the warranty period, if any. When a product or part is replaced, any replacement item becomes your property and the replaced item becomes property of Air Lift Company. You are responsible for installation/reinstallation (labor charges) of the product.

## HOW THE LAW RELATES TO THIS WARRANTY

This warranty gives you specific legal rights and you may also have other rights which vary from state to state. By this warranty, Air Lift Company does not limit or exclude your rights except as allowed by law. To fully understand your rights, you should consult the laws of your state.

## SPECIFIC LOAD SUPPORT WARRANTY PERIODS BY PRODUCT LINE

LoadLifter 5000™ Ultimate.....	Lifetime Limited	WirelessAIR™ .....	2 Year Limited
LoadLifter 5000™ .....	Lifetime Limited	WirelessONE™ .....	2 Year Limited
RideControl™ .....	Lifetime Limited	LoadController™ Single and Dual.....	2 Year Limited
Air Lift 1000™ .....	Lifetime Limited	LoadController™ I and II .....	2 Year Limited
AirCell™ .....	Lifetime Limited	SmartAir™ II.....	2 Year Limited
SlamAir™ .....	Lifetime Limited	Other Accessories .....	2 Year Limited

## Need Help?

Contact our customer service department by calling (800) 248-0892, Monday through Friday. For calls from outside the USA or Canada, dial (517) 322-2144.

**Register your warranty online at  
[www.airliftcompany.com/warranty](http://www.airliftcompany.com/warranty)**



*Thank you for purchasing Air Lift products — the professional installer's choice!*

Air Lift Company • 2727 Snow Road • Lansing, MI 48917 or PO Box 80167 • Lansing, MI 48908-0167  
Toll Free (800) 248-0892 • Local (517) 322-2144 • Fax (517) 322-0240 • [www.airliftcompany.com](http://www.airliftcompany.com)

Printed in  
the USA