

BARRICADE

OFF - ROAD ARMOR

VEHICLE RECOVERY ELECTRIC WINCH 6000LB-13000LB

INSTRUCTIONS



SAFETY PRECAUTIONS

Warning! Observe safety precautions for personal safety and the safety of others. Improper equipment operation may cause personal injury and equipment damage.

Read the following carefully before attempting to operate your winch and keep the instructions for future reference.

1. Dress Properly:

- Don't wear loose clothing or jewelry. They can be caught in moving parts.
- Wear leather gloves when handling winch cable. Do not handle cable with bare hands broken wires can cause injuries.
- Non-skid footwear is recommended,
- Protective hair covering to contain long hair.

2. Keep a Safe Distance:

- Ensure that all persons stand well clear of winch cable and load during winch operation, 1.5 times the cable length recommended. If a cable pulls loose or breaks under load it can lash back and cause serious personal injury or death.
- Don't step over the cable.
- All visitors and onlookers should be kept away from the work area.
- Keep proper footing and balance at all times.

3. Don't Abuse the Cord:

- Never carry your winch by the cord or yank it to disconnect it from the receptacle.
- Keep cord from heat, oil and sharp edges.

4. Don't Overwork the winch:

- If the motor becomes uncomfortably hot to touch stop and let it cool for a few minutes.
- Don't maintain power to the winch if the motor stalls.
- Don't exceed maximum line pull ratings shown in tables. Shock loads must not exceed these ratings.

5. Avoid Unintentional Starting:

- Winch clutch should be disengaged when not in use and fully engaged when in use.

6. Check Damaged Parts:

-Before using, you should check your winch carefully. Any part that is damaged should be properly repaired or replaced by an authorized service centre.

7. Repair Your Winch:

- When repairing, use only identical replacement parts or it may cause considerable danger for the user.

8. Re-spool the Cable:

-Leather gloves must be worn while re-spooling. To re-spool correctly, it is necessary to keep a slight load on the cable. Hold the cable with one hand and the remote control switch with the other. Start as far back and in the centre as you can. Walk up keeping load on the cable as the winch is powered in.

- Do not allow the cable to slip through your hand and do not approach the winch too closely.
- Turn off the winch and repeat the procedure until all the cable except 1m is in.
- Disconnect the remote control switch and finish spooling in cable by rotating the drum by hand with clutch disengaged.
- On hidden winches, spool in cable under power but keep hands clear.

Warning: The use of any other accessory or attachment other than those recommended in the instruction manual may present a risk of personal injury.

WINCH OPERATION WARNINGS

Read the following carefully before attempting to operate your winch and keep the instructions for future reference.

1. The uneven spooling of cable, while pulling a load, is not a problem, unless there is a cable pile up on one end of the drum. If this happens reverse the winch to relieve the load and move your anchor point further to the centre of the vehicle.

After the job is done you can unspool and rewind for a neat lay of the cable.

2. Store the remote control switch inside your vehicle where it will not become damaged, inspect it before you plug it in.

3. When ready to begin spooling in, plug in remote control switch with clutch disengaged, do not engage clutch with motor running.

4. Never connect the hook back to the cable. This causes cable damage. Always use a sling or chain of suitable strength.

5. Observe your winch while winching, if possible while standing at a safe distance. Stop the winching process every meter or so to assure the cable is not pulling up in one corner. Jamming the cable can break your winch.

6. Do not attach tow hooks to winch mounting apparatus. They must be attached to vehicle frame.

7. The use of a snatch block will aid recovery operations by providing a doubling of the winch capacity and a halving of the winching speed, and the means to maintain a direct line pull to the centre of the fairlead. When double loading during stationary winching, the winch hook should be attached to the chassis of the vehicle.

8. Ensure rated "D" or bow shackles are used in conjunction with an approved tree trunk protector to provide a safe anchor point.

9. When extending winch cable, ensure that at least five wraps of cable remain on drum at all times. Failure to do this could result in the cable parting from the drum under load. Serious personal injury or property damage may result.

10. All winches are provided with a red cable marking to identify that 5 cable wraps remain on the Winch drum when this mark appears at the fairlead. No recovery should be attempted beyond this marking.

11. Since the greatest pulling power is achieved on the innermost layer of your winch, it is desirable to pull out as much line as you can for heavy pulls (you must leave at least 5 wraps minimum on the drum-red cable). If this is not practical use a snatch block and double line arrangement.

12. Draping a heavy blanket or similar object over the extended winch cable is recommended as it will dampen any backlash should a failure occur.

13. Neat, tight spooling avoids cable binding, which is caused when a load is applied and the cable is pinched between the others. If this happens, alternatively power the winch in and out. Do not attempt to work a bound cable under load, free by hand.

14. Apply blocks to wheels when vehicles are on an incline.

15. Battery:

- Be sure that the battery is in good condition. Avoid contact with battery acid or other contaminants.
- Always wear eye protection when working around a battery.
- Have the engine running when using the winch, to avoid attening the battery.

16. Winch Cable:

- Be sure that the cable is in good condition and is attached properly.
- Do not use the winch if cable is frayed.
- Do not move the vehicle to pull a load.
- The life of the cable is directly related to the use and care it receives. Following its first and subsequent uses, a cable must be wound on to the drum under a load of at least 500lbs (230kg) or the outer wraps will draw into the inner wraps and severely damage the cable during winching. The first winch use should be a familiarization run while in a relaxed, non-recovery situation. Spool out the cable until the red cable appears (about five wraps on the drum), then rewind the cable on to the drum under a load of 500lbs (230kg) or more. This will slightly tension and stretch the new cable and create a tight cable wrap around the drum. Failure to do so may result in cable damage and reduced cable life.
- When the cable is replaced, be sure to apply Lactate, or an equal compound, to the cable clamp thread. Tighten the clamp screw properly but do not over tighten. The lactate will prevent loosening of the screw in arduous conditions. Loctite 7471 Primer and 222 Thread locker are recommended.

17. Do not attempt to exceed the pulling limits of this winch.

18. DO NOT drive your vehicle to assist the winch in any way. Vehicle movement in combination with winch operation may overload the cable, the winch itself or cause damaging shock loads.

19. Shock loads when winching are dangerous! A shock load occurs when an increased force is suddenly applied to the cable. A vehicle rolling back on a slack cable may induce a damaging shock load.

20. The winches shown in this manual are solely for vehicle and boat mounted, non-industrial applications.

21. Do not use winch in hoisting applications due to required hoist safety factors and features.

22. Do not use the winch to lift, support or otherwise transport people.

INSTALLATION

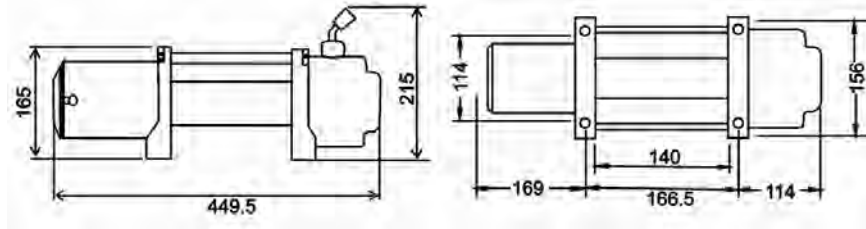
MOUNTING YOUR WINCH

- a) The winch is to be mounted into a suitable steel mounting frame using the 4 point foot mounting system in either a horizontal or vertical plane.
 - b) It's very important that the winch be mounted on a flat surface so that the three sections (motor, cable drum and gear housing) are properly aligned.
 - c) Before commencing installation ensure the mounting facility being used is capable of withstanding the winches rated capacity.
 - d) The placement of winches and/or a frontal protection system may affect the triggering of SRS air bags. Check that the mounting system has been tested and approved for winch placement in the airbag equipped vehicle.
2. Winch mounting frames and /or Frontal Protection Systems are suggested to suit most popular vehicles. Winch frames are packaged with detailed mounting instructions.
3. Should you wish to manufacture your own mounting plate the dimensions below will assist. A steel mount plate 6mm

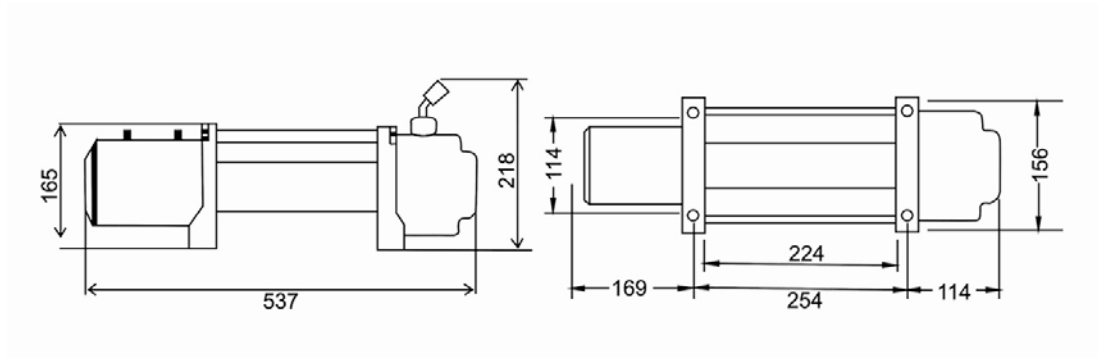
thick is recommended. Fasteners should be steel high tensile grade 5 or better. A poorly designed mount may void warranty.

4. The winch should be secured to the mounting with 3/8"UNC x 1-1/4"stainless steel bolts and spring washers provided.

5. The fairlead is to be mounted so as to guide the cable onto the drum evenly.



(A)



(B)

A is dimensions of 6000lbs, while B is dimensions of 8000lbs-13000lbs.

LUBRICATION INSTALLATION

All moving parts in the winch are permanently lubricated with high temperature lithium grease at the time of assembly. Under normal conditions factory lubrication will suffice. Lubricate cable periodically using light penetrating oil. Inspect for broken strands and replace if necessary. If the cable becomes worn or damaged it must be replaced.

CABLE INSTALLATION

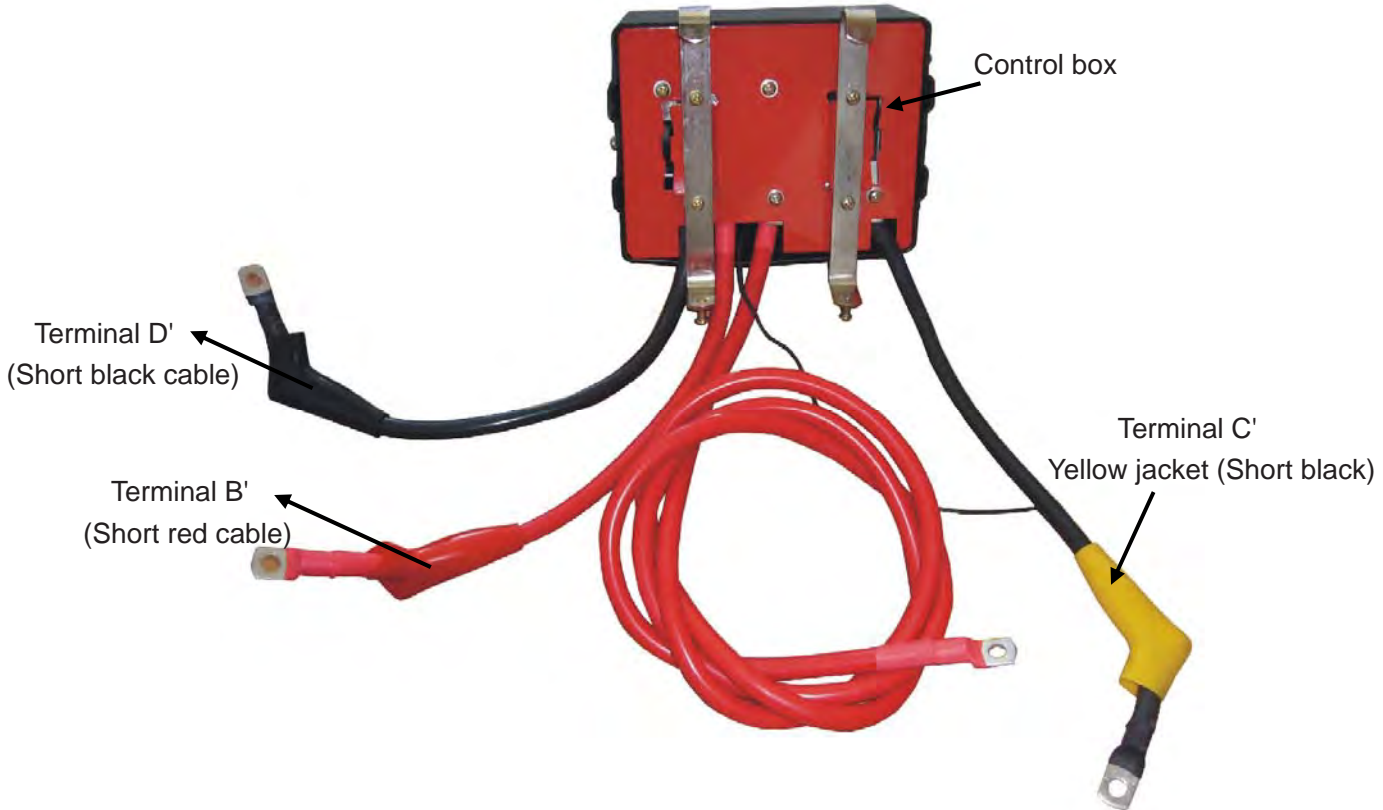
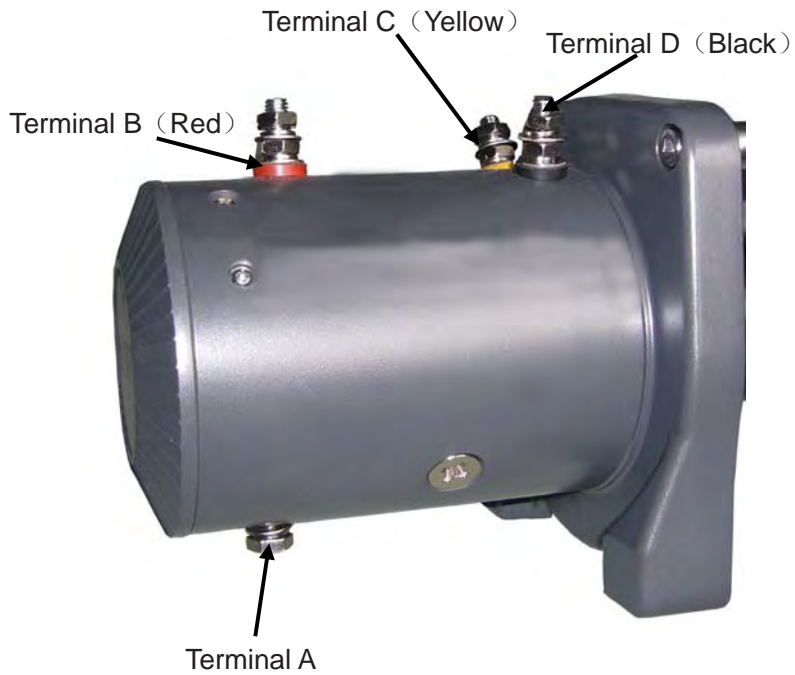
Unwind the new cable by rolling it along the ground, to prevent kinking. Remove old cable and observe the manner in which it is attached to the drum angle.

ELECTRICAL CONNECTION

For normal self-recovery work, your existing electrical system is adequate. A fully charged battery and proper connections are essential. Run the vehicle engine during winching operations to keep battery charged.

Pay close attention to proper electrical cable connection as follows (refer to Diagram 1)

1. Short red cable (B) connecting to the red terminal (B) of the motor.
2. Short black cable with yellow jacket (C) connecting to the yellow terminal (C) of the motor.
3. Short black cable with black jacket (D) connecting to the black terminal (D) of the motor.
4. Thin black cable (a') connecting to bottom terminal (A) of the motor.
5. Long black cable (1.8m), one terminal (A) connecting to the bottom terminal (A) of the motor, and the other terminal negative (-) connecting to negative (-) terminal of battery.
6. Long red cable positive (+) connecting to positive (+) terminal of battery.



NOTE:

1. Your battery must be kept in good condition.
2. Be sure battery cables are not drawn taught across any surfaces, which could possibly damage them.
3. Corrosion on electrical connections will reduce performance or may cause a short.
4. Clean all connections especially in remote control switch and receptacle.
5. In salty environments use a silicone sealer to protect from corrosion.

WINCH OPERATION**SUGGESTION:**

The best way to get acquainted with how your winch operates is to make a few test runs before you actually need to use it. Plan your test in advance. Remember you can hear your winch as well as you can see it operate. Get to recognize the sound of a light steady pull, a heavy pull, and sounds caused by load jerking or shifting. Soon you will gain confidence in operating your winch and its use will become second nature to you.

OPERATING:

1. Ensure the vehicle is secure by applying the parking brake or chocking the wheels.
2. Pull out the winch cable the desired length and connect to an anchor point.
The winch clutch allows rapid uncoiling of the cable for hooking onto the load or anchor point. The shifter tab located on the gear housing of the winch operates the clutch as follows:
 - a) To disengage the clutch, move the clutch shifter tab to the "FREESPOOL" position. Cable could be free spooled off the drum.
 - b) To engage the clutch, move the clutch shifter tab into the "ENGAGED" position. The winch is now ready for pulling.
3. Recheck all cable rigging before proceeding .
4. Plug in the winch hand control. It is recommended that the winching operation takes place from the driver's position to ensure safe operation.
5. To commence winching operation, start vehicle engine, set to neutral in transmission, maintain engine speed at idle.
6. Operate the hand control or the wireless remote control until the vehicle has been retrieved. Regularly check the winch to ensure cable is winding onto the drum evenly.

Note:

1. Never winch with your vehicle in gear or in park, which would damage your vehicle's transmission.
2. Never wrap the cable around the object and hook onto the cable itself. This can cause damage to the object being pulled, and kink or fray the cable.
3. Keep hands, clothing, hair and jewelry clear of the drum area and cable when winching.
4. Never use the winch if the cable is frayed, kinked or damaged.
5. Never allow anyone to stand near the cable or in line with the cable behind the winch while it is under power. If the cable should slip or brake, it can suddenly whip back toward the winch, causing a hazard for anyone in the area. Always stand well to the side while winding.
6. Don't leave the switch plugged in when winch is not in use.

CHECK THE WINCH CAREFULLY AND THOROUGHLY BEFORE OPERATING!

MAINTENANCE

It is highly recommended that the winch be used regularly (once a month). Simply power the cable out 15m, free spool 5m and then power back in. This will keep all components in good working condition so that the winch can be relied on when needed. Contact your authorized ~~out~~ for technical assistance and repairs.

SPARE PARTS:

A comprehensive range of spare parts is available.
Please kindly contact the distributor or the local retailer.

WINCHING CAPACITY

1. This winch has a capacity of 6000LB/8000LB/8500LB/9500LB/10000LB/12000LB/13000LB.
2. Pulling capacity is reduced as the incline increases.
3. Winch is not intended as a load securing device.

NOTE:

The safety precautions and instructions discussed in this ~~ma~~ual can't cover all possible conditions and situations that may occur. It must be understood by the operator that common sense and caution are factors, which cannot be built into this product, but must be applied by the operator.

6000LBS FEATURES AND SPECIFICATIONS

Single line rated pull	6000LB(2721kg)
Motor	5.5hp/4.0kw(12V); 6.4hp/4.8kw(24V) Series Wound
Control	Remote switch,12ft(3.7m)lead
Remote Control	Optional
Gear train	3 Stage Planetary
Gear reduction ratio	218: 1
Clutch	Sliding Ring Gear
Braking Action	Two way braking action in the drum
Drum Dimensions	2.5"x5.5"(63.5x140m)
Cable	20m of 7.2mm diameter
Fairlead	4-way roller fairlead
Battery	Recommended:650CCA minimum for winching
Battery Leads	2 gauge,72"(1.83m)
Finish	Black powder coat
Overall dimensions	(L*W*H) 17.7" x 6.1" x 8.6" (456mmx156mmx215mm)
Mounting Bolt Pattern	166.4x114.3mm

6000LBS LINE SPEED AND AMP DRAW (FIRST LAYER) 12V

Line Pull	Lbs	NO LOAD	2000	4000	6000
	kgs		907	1814	2721
Line Speed	ft/min	28.2	25.4	11.5	9.2
	m/min	8.6	4.7	3.5	2.8
Motor Current	amps	70	160	240	320

6000LBS LINE PULL AND CABLE CAPACITY

Layer of cable		1	2	3
Rated line pull per layer	Lbs	6000	5500	3700
	Kgs	2721	2495	1678
Cumulative Cable capacity	Ft	14.7	29.5	66
	M	4.5	9.0	20

8000LBS FEATURES AND SPECIFICATIONS

Single line rated pull	8000LB(3628kg)
Motor	5.5hp/4.0kw(12V); 6.44hp/4.8kw(24V) Series Wound
Control	Remote switch,12ft(3.7m)lead
Remote Control	Optional
Gear train	3 Stage Planetary
Gear reduction ratio	148.2: 1
Clutch	Sliding Ring Gear
Braking Action	Two way braking action in the drum
Drum Dimensions	2.5"x8.8"(64x224m)
Cable	28m of 8.1mm diameter
Fairlead	4-way roller fairlead
Battery	Recommended:650CCA minimum for winching
Battery Leads	2 gauge,72"(1.83m)
Finish	Black powder coat
Overall dimensions	(L*W*H)21.1"x6.3"x8.6"(537x160x218mm)
Mounting Bolt Pattern	254x114.3mm

8000LBS LINE SPEED AND AMP DRAW (FIRST LAYER) 12V

Line Pull	Lbs	NO LOAD	2000	4000	6000	8000
	kgs		907	1814	2721	3629
Line Speed	ft/min	28.2	15.4	11.5	9.2	7.87
	m/min	8.6	4.7	3.5	2.8	2.4
Motor Current	amps	70	160	240	310	360

8000LBS LINE PULL AND CABLE CAPACITY

Layer of cable		1	2	3	4
Rated line pull per layer	Lbs	8000	6900	5845	5100
	Kgs	3628	3130	2650	2310
Cumulative Cable capacity	Ft	16.0	42	72	94
	M	5.0	12	21	28

8500LBS FEATURES AND SPECIFICATIONS

Single line rated pull	8500LB(3856kg)
Motor	5.5hp/4.0kw(12V); 6.44hp/4.8kw(24V) Series Wound
Control	Remote switch,12ft(3.7m)lead
Remote Control	Optional
Gear train	3 Stage Planetary
Gear reduction ratio	195.8:1
Clutch	Sliding Ring Gear
Braking Action	Two way braking action in the drum
Drum Dimensions	2.5"x8.8"(64x224m)
Cable	28m of 8.1mm diameter
Fairlead	4-way roller fairlead
Battery	Recommended:650CCA minimum for winching
Battery Leads	2 gauge,72"(1.83m)
Finish	Black powder coat
Overall dimensions	(L*W*H)21.1"x6.3"x8.6"(537x160x218mm)
Mounting Bolt Pattern	254x114.3mm

8500LBS LINE SPEED AND AMP DRAW (FIRST LAYER) 12V

Line Pull	Lbs	NO LOAD	2000	4000	6000	8500
	kgs		907	1814	2721	3856
Line Speed	ft/min	28.2	15.4	11.5	9.2	7.2
	m/min	8.6	4.7	3.5	2.8	2.2
Motor Current	amps	70	160	240	310	415

8500LBS LINE PULL AND CABLE CAPACITY

Layer of cable		1	2	3	4
Rated line pull per layer	Lbs	8500	6900	5845	5100
	Kgs	3856	3130	2650	2310
Cumulative Cable capacity	Ft	16.0	42	72	94
	M	5.0	12	21	28

9500LBS FEATURES AND SPECIFICATIONS

Single line rated pull	9500LB(4300kg)
Motor	5.5hp/4.0kw(12V); 6.44hp/4.8kw(24V) Series Wound
Control	Remote switch,12ft(3.7m)lead
Remote Control	Optional
Gear train	3 Stage Planetary
Gear reduction ratio	195.4: 1
Clutch	Sliding Ring Gear
Braking Action	Two way braking action in the drum
Drum Dimensions	2.5"x8.8"(64x224m)
Cable	28m of 8.3mm diameter
Fairlead	4-way roller fairlead
Battery	Recommended:650CCA minimum for winching
Battery Leads	2 gauge,72"(1.83m)
Finish	Black powder coat
Overall dimensions	(L*W*H)21.1"x6.3"x8.6"(537x160x218mm)
Mounting Bolt Pattern	254x114.3mm

9500LBS LINE SPEED AND AMP DRAW (FIRST LAYER) 12V

Line Pull	Lbs	NO LOAD	2000	4000	6000	8000	9500
	kgs		907	1814	2722	3629	4300
Line Speed	ft/min	35.4	14.8	11.2	9.5	7.87	6.43
	m/min	10.8	4.5	3.4	2.9	2.4	1.95
Motor Current	amps	75	180	220	290	360	410

9500LBS LINE SPEED AND AMP DRAW (FIRST LAYER) 24V

Line Pull	Lbs	NO LOAD	2000	4000	6000	8000	9500
	kgs		907	1814	2722	3629	4300
Line Speed	ft/min	38.9	16.3	12.3	10.4	8.6	6.6
	m/min	11.9	4.9	3.7	3.2	2.6	2.0
Motor Current	amps	50	100	145	190	230	305

9500LBS LINE PULL AND CABLE CAPACITY

Layer of cable		1	2	3	4
Rated line pull per layer	Lbs	9500	6600	5300	4500
	Kgs	4300	2993	2404	2041
Cumulative Cable capacity	Ft	18.5	41	67.57	91.8
	M	5.6	12.5	20.6	28

10000LBS FEATURES AND SPECIFICATIONS

Single line rated pull	10000LB(4536kg)
Motor	5.5hp/4.0kw(12V); 6.44hp/4.8kw(24V) Series Wound
Control	Remote switch,12ft(3.7m)lead
Remote Control	Optional
Gear train	3 Stage Planetary
Gear reduction ratio	148.2: 1
Clutch	Sliding Ring Gear
Braking Action	Two way braking action in the drum
Drum Dimensions	2.5"x8.8"(64x224m)
Cable	28m of 8.3mm diameter
Fairlead	4-way roller fairlead
Battery	Recommended:650CCA minimum for winching
Battery Leads	2 gauge,72"(1.83m)
Finish	Dark Grey
Overall dimensions	(L*W*H)21.1"x6.3"x8.6"(537x160x218mm)
Mounting Bolt Pattern	254x114.3mm

10000LBS LINE SPEED AND AMP DRAW (FIRST LAYER) 12V

Line Pull	Lbs	NO LOAD	2000	4000	6000	8000	10000
	kgs		907	1814	2722	3629	4536
Line Speed	ft/min	35.4	14.8	11.2	9.5	7.87	5.25
	m/min	10.8	4.5	3.4	2.9	2.4	1.6
Motor Current	amps	75	180	220	290	360	450

10000LBS LINE SPEED AND AMP DRAW (FIRST LAYER) 24V

Line Pull	Lbs	NO LOAD	2000	4000	6000	8000	10000
	kgs		907	1814	2722	3629	4536
Line Speed	ft/min	38.9	16.3	12.3	10.4	8.6	5.8
	m/min	11.9	4.9	3.7	3.2	2.6	1.8
Motor Current	amps	50	100	145	190	230	290

10000LBS LINE PULL AND CABLE CAPACITY

Layer of cable		1	2	3	4
Rated line pull per layer	Lbs	10000	7930	6566	5604
	Kgs	4536	3596	2977	2541
Cumulative Cable capacity	Ft	17	38.7	64.6	91.8
	M	5.2	11.8	19.7	28

12000LBS FEATURES AND SPECIFICATIONS

Single line rated pull	12000LB(5440kg)
Motor	6.6hp/4.8kw(12V); 6.65hp/5.0kw (24V) Series Wound
Control	Remote switch,12ft(3.7m)lead
Remote Control	Optional
Gear train	3 Stage Planetary
Gear reduction ratio	187.2:1
Clutch	Sliding Ring Gear
Braking Action	Two way braking action in the drum
Drum Dimensions	2.5"x8.8"(64x224m)
Cable	28m of 9.1mm diameter
Fairlead	4-way roller fairlead
Battery	Recommended:650CCA minimum for winching
Battery Leads	2 gauge,72"(1.83m)
Finish	Dark Grey
Overall dimensions	(L*W*H)21.1"x6.3"x8.6"(537x160x218mm)
Mounting Bolt Pattern	254x114.3mm

12000LBS LINE SPEED AND AMP DRAW (FIRST LAYER) 12V

Line Pull	Lbs	NO LOAD	4000	6000	8000	10000	12000
	kgs		1814	2722	3629	4536	5443
Line Speed	ft/min	33.3	16.8	12.8	10.1	8.8	7.6
	m/min	10.3	5.1	2.62	3.1	2.7	2.3
Motor Current	amps	85	158	231	302	371	450

12000LBS LINE SPEED AND AMP DRAW (FIRST LAYER) 24V

Line Pull	Lbs	NO LOAD	4000	6000	8000	10000	12000
	kgs		1814	2722	3629	4536	5443
Line Speed	ft/min	35	18.5	14.4	11.5	10	8.9
	m/min	10.8	5.6	4.4	3.5	3.1	2.7
Motor Current	amps	50	136	170	210	240	280

12000LBS LINE PULL AND CABLE CAPACITY

Layer of cable		1	2	3	4
Rated line pull per layer	Lbs	12000	9210	8030	6894
	Kgs	5440	4170	3640	3125
Cumulative Cable capacity	Ft	17	41	72	99.5
	M	5.1	12.4	21.7	30

13000LBS FEATURES AND SPECIFICATIONS

Single line rated pull	13000LB(5897kg)
Motor	5.5hp/4.0kw(12V); 6.44hp/4.8kw(24V) Series Wound
Control	Remote switch,12ft(3.7m)lead
Remote Control	Optional
Gear train	3 Stage Planetary
Gear reduction ratio	218.4: 1
Clutch	Sliding Ring Gear
Braking Action	Two way braking action in the drum
Drum Dimensions	2.5"x8.8"(64x223m)
Cable	26m of 9.5mm diameter
Fairlead	4-way roller fairlead
Battery	Recommended:650CCA minimum for winching
Battery Leads	2 gauge,72"(1.83m)
Finish	Dark Grey
Overall dimensions	(L*W*H)21.1"x6.3"x8.6"(540x160x218mm)
Mounting Bolt Pattern	254x114.3mm

13000LBS LINE SPEED AND AMP DRAW (FIRST LAYER) 12V

Line Pull	Lbs	NO LOAD	4000	6000	8000	10000	13000
	kgs		1814	2722	3629	4536	5897
Line Speed	ft/min	22.5	9.8	8.5	7.5	6.56	4.8
	m/min	6.85	3.0	2.6	2.3	2.0	1.48
Motor Current	amps	65	165	220	270	340	430

13000LBS LINE SPEED AND AMP DRAW (FIRST LAYER) 24V

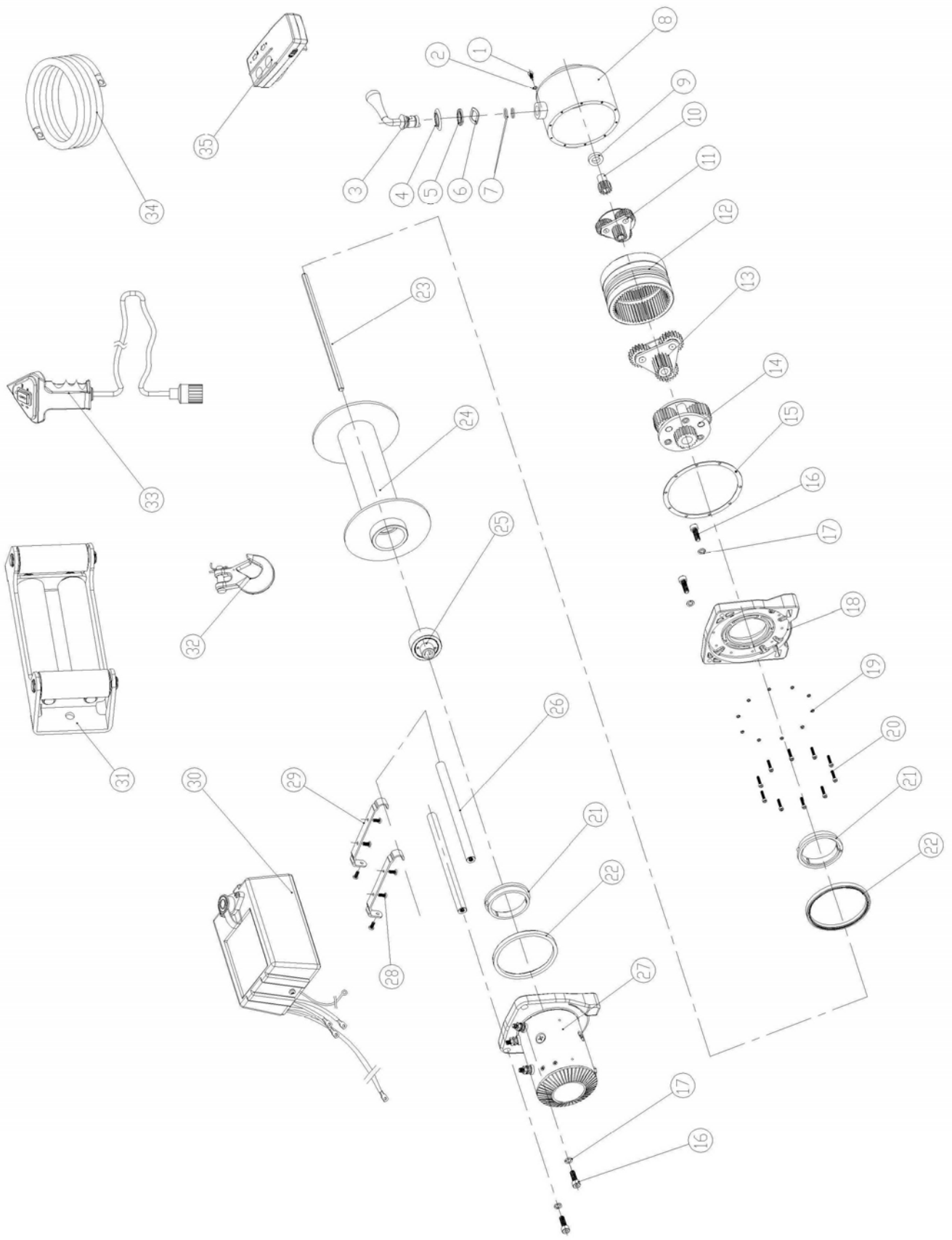
Line Pull	Lbs	NO LOAD	4000	6000	8000	10000	13000
	kgs		1814	2722	3629	4536	5897
Line Speed	ft/min	24.86	10.23	8.79	8.04	6.89	5.12
	m/min	7.85	3.12	2.68	2.45	2.1	1.56
Motor Current	amps	52	146	178	205	235	305

13000LBS LINE PULL AND CABLE CAPACITY

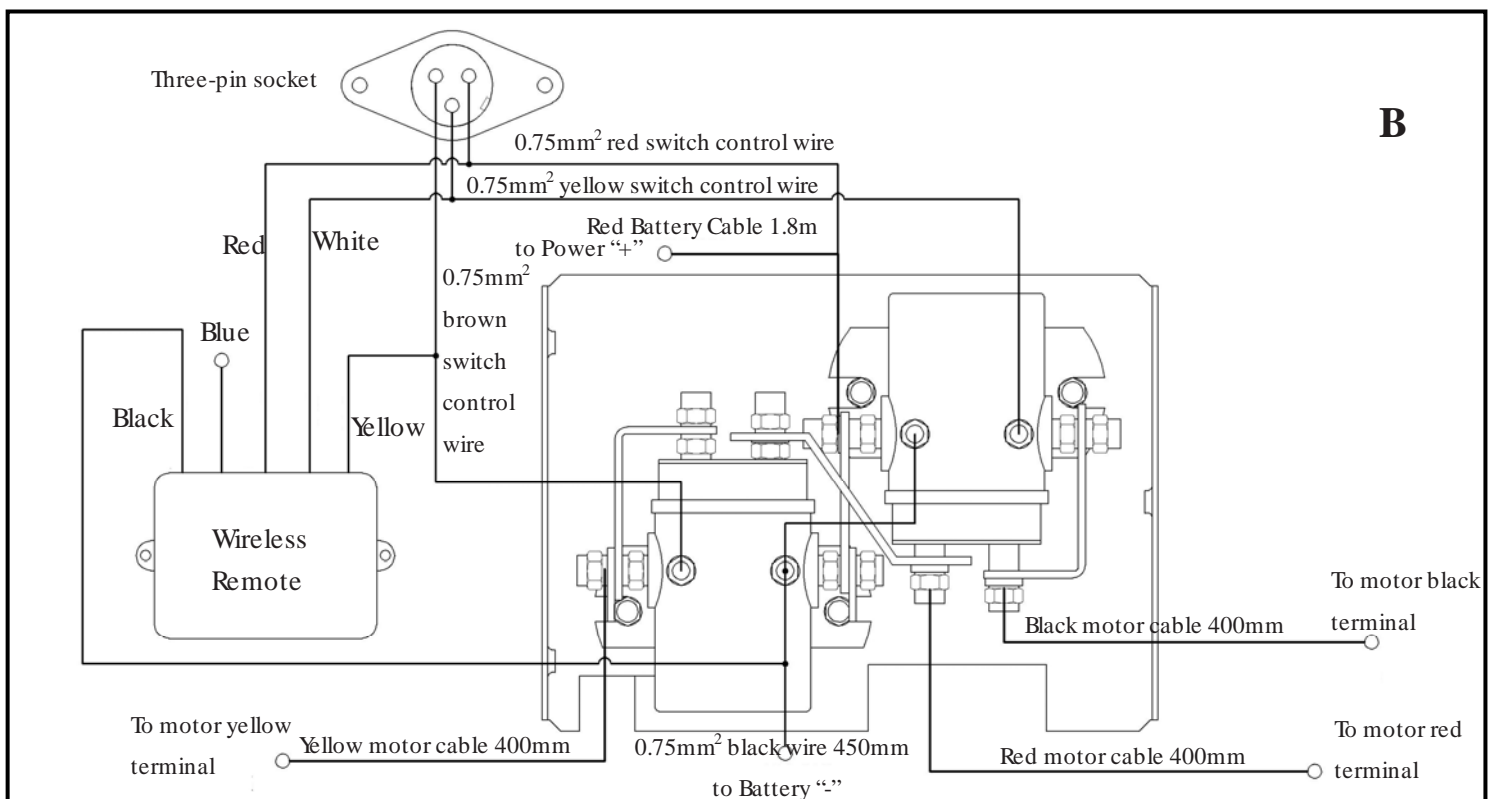
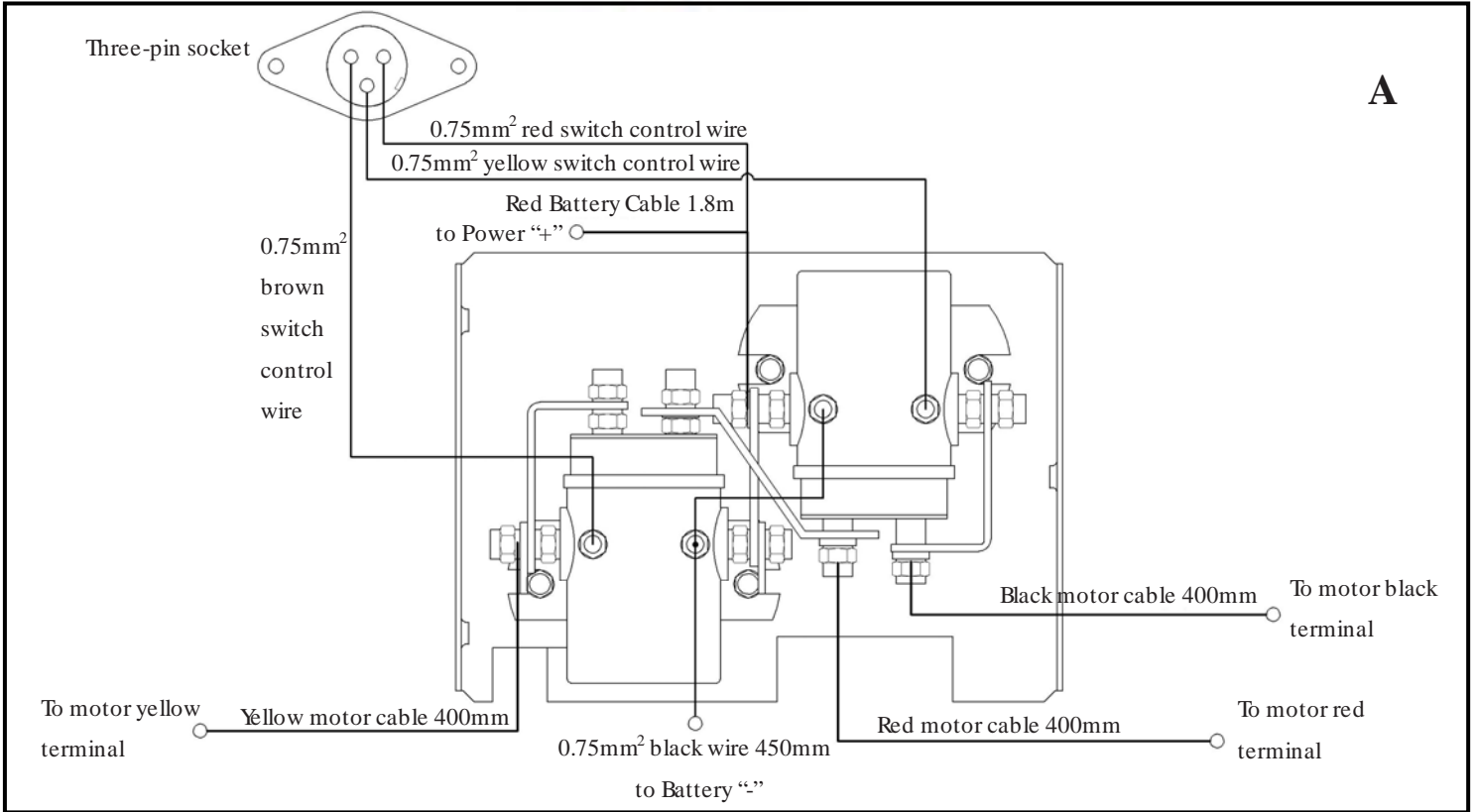
Layer of cable		1	2	3	4
Rated line pull per layer	Lbs	13000	10010	8840	4710
	Kgs	5897	4541	4010	3361
Cumulative Cable capacity	Ft	15	34.6	58.6	85.3
	M	4.58	10.54	17.87	26

WINCH PARTS LIST

Item No.	Description	Qty
1	Hexagon screw	1
2	Spring washer M5	1
3	Clutch handle	1
4	Nut cap	1
5	Cup gasket	1
6	Spring washer 20	1
7	O-ring	2
8	Gear box housing	1
9	shaft sleeve	1
10	sun gear	1
11	3 rd Planetary gear assy	1
12	Dual inner gear	1
13	2nd Planetary gear assy	1
14	1st Planetary gear assy	1
15	Sealing washer	1
16	Hexagon screw M8x25	4
17	Spring washer 8	4
18	Gear box bracket	1
19	Spring washer 4	10
20	Hexagon screw M4x20	10
21	Bearing bush	2
22	Sealing washer	2
23	Transmission shaft	1
24	Durm assembly	1
25	Brake assembly	1
26	Tie bar	2
27	Motor assembly	1
28	Cross Recess Head Screw M4.2X12	4
29	Mounting bracket assembly for control box	2
30	Control box assembly	1
31	Fairlead	1
32	3/8" Hook	1
33	Wired remote control	1
34	Battery negative (-) cord 1.8M	1
35	Wireless remote control (Optional)	1



Solenoid and Drawing : (Drawing A is for winch with wireless remote, drawing B is for winch without wireless remote)



SOLENOID BOX ASSEMBLY(12V/24V)PARTS LIST(If your winch is without wireless remote control, please ignore the remote and the relative wiring!)

Item No.	Part No.	Description	Qty
1	S0107/08-31	0.75mm2 brown switch control wire	1
2	S0107/08-32	0.75mm2 red switch control wire	1
3	S0107/08-33	0.75mm2 yellow switch control wire	1
4	S0107/08-34	0.75mm2 yellow remote control wire	1
5	S0107/08-35	0.75mm2 white remote control wire	1
6	S0107/08-36	0.75mm2 red remote control battery “+”	1
7	S0107/08-37	0.75mm2 black remote control battery “-”	1
8	S0107/08-38	Green antenna	1
9	S0107/08-39	0.4m short Black Cable with Yellow Terminal Sleeve	1
10	S0107/08-40	1.8m long red battery cable “+”	1
11	S0107/08-41	0.4m black motor cable with black sleeve	1
12	S0107/08-42	Black Cable with Black Sleeve(0.75mmx0.45m;earth)	1
13	S0107/08-43	0.4m Short Red Cable with Red Terminal Sleeve	1
14	S0107/08-44	Receiver for remote	1
15	S0107/08-45	U Type Strap-Aluminum	1
16	S0107/08-46A	Solenoid 12V	1
	S0107/08-46B	Solenoid 24V	1

