



SIGNATURE OF QUALITY

AUTOMOTIVE PRODUCTS, INC.

# INSTALLATION INSTRUCTIONS

APPLICATION: PRO TRAXX OVAL STEP BAR / 2015 & UP FORD F-150 SUPERCREW (SCRW) / SUPERCAB (SCAB)

APP PART # 21-23940, 21-23945, 21-53940, 21-53945  
# 21-23930, 21-23935, 21-53930, 21-53935

ITEM	QUANTITY	DESCRIPTION	TOOLS NEEDED
1	SCRW - 1, SCAB - 1	DRIVER SIDE PRO TRAXX STEP BAR ASSEMBLY	RATCHET
2	SCRW - 1, SCAB - 1	PASSENGER SIDE PRO TRAXX STEP BAR ASSEMBLY	TORQUE WRENCH
3	SCRW - 6, SCAB - 4	UNIVERSAL SUPPORT BRACKET	SOCKET EXTENS.
4	SCRW - 2, SCAB - 2	FRONT MOUNTING BRACKET	13MM SOCKET
5	SCRW - 2, SCAB - 2	REAR MOUNTING BRACKET	HEX KEY TOOL (INCLUDED)
6	SCRW - 24, SCAB - 16	M8 HEX NUT (YELLOW ZINC)	
7	SCRW - 24, SCAB - 16	M8 FLAT WASHER 24MM OD (YELLOW ZINC)	
8	SCRW - 24, SCAB - 16	M8 SPLIT LOCK WASHER (YELLOW ZINC)	
9	SCRW - 6, SCAB - 4	M8 CARRAIGE SQUARE NECK BOLT (BLACK ZINC)	
10	SCRW - 12, SCAB - 8	M10 TOOTHED LOCK WASHER (STAINLESS)	
11	SCRW - 12, SCAB - 8	M10 FLAT WASHER 20MM OD (STAINLESS)	
12	SCRW - 12, SCAB - 8	M10 BUTTON HEAD SCREW (STAINLESS)	
13	SCRW - 18, SCAB - 12	M8 PLASTIC RETAINER SQUARE	
14	SCRW - 2	CENTER MOUNTING BRACKET	

ANTI-SEIZE LUBRICANT MUST BE USED ON ALL STAINLESS STEEL FASTENERS TO PREVENT THREAD DAMAGE AND GALLING .

1. Remove contents from box, verify if all parts listed are present and undamaged. Carefully read and understand all instructions before attempting installation.
2. Locate factory welded studs on the rocker panel, See Figure 1.
3. Thread M8 square plastic poly retainer onto factory studs for driver side. Repeat for passenger side, see Figure 2. (Note: The plastic poly retainers are necessary to prevent reaction between supplied steel equipment and aluminum rocker panel.)
4. Loosely install the universal support brackets to all mounting brackets with supplied M8 carriage square neck bolt and M8 hardware, see Figure 3. (Note: See Figure 6 and 7 for placement of mounting brackets.)
5. Loosely install driver side mounting brackets to rocker panel with supplied M8 hardware. Repeat for passenger side, see Figure 4.
6. Loosely install the Pro Traxx step bar assembly to the previously installed mounting brackets with supplied M10 hardware. (Note: Driver side step tube will be packaged in a clear poly tube and passenger side will be packaged in a red poly tube, the Westin logo should face outward when installed.)
7. Align and adjust as necessary then torque: M8 hardware to 15-18 ft-lbs., and M10 hardware to 30-35 ft-lbs.

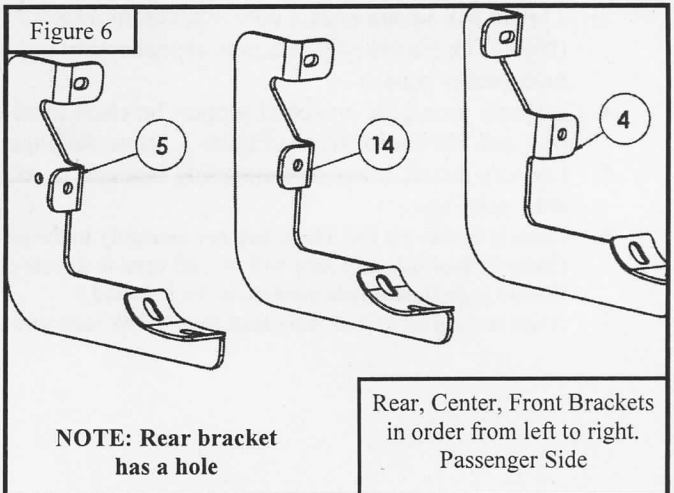
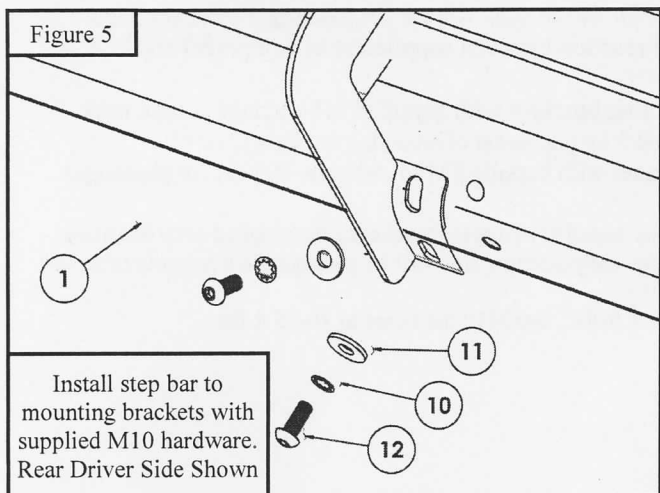
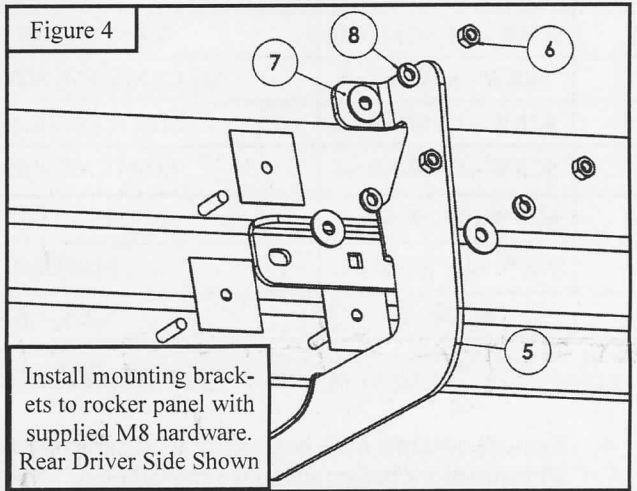
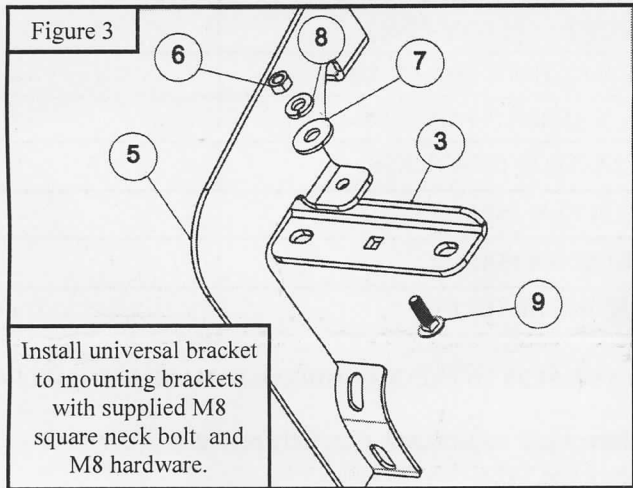
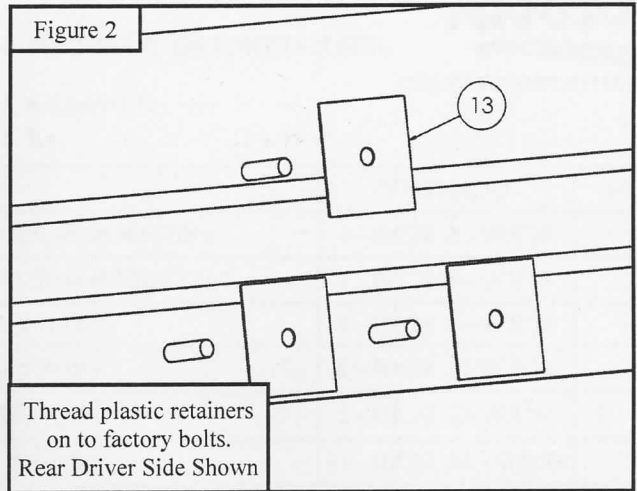
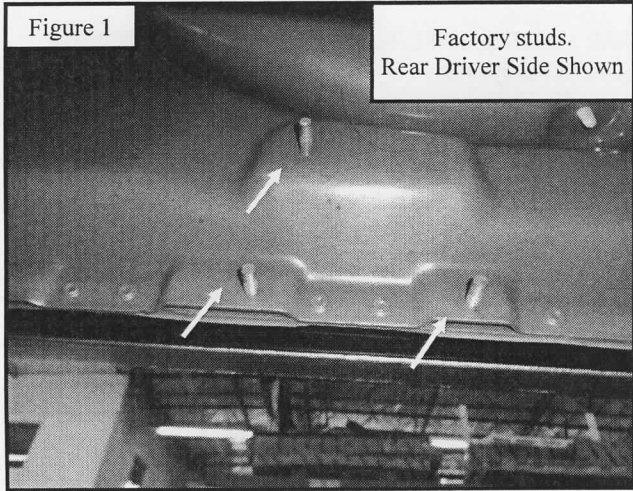


Westin Automotive Products, Inc.  
320 Covina Blvd  
San Dimas, Ca. 91773

P.N.: 75-1051 REV A

ECO #: W14-0094

Thank You for choosing Westin products  
For Additional installation assistance please call  
Customer service (800) 793-7846  
[www.westinautomotive.com](http://www.westinautomotive.com)



Westin Automotive Products, Inc.  
320 Covina Blvd  
San Dimas, Ca. 91773

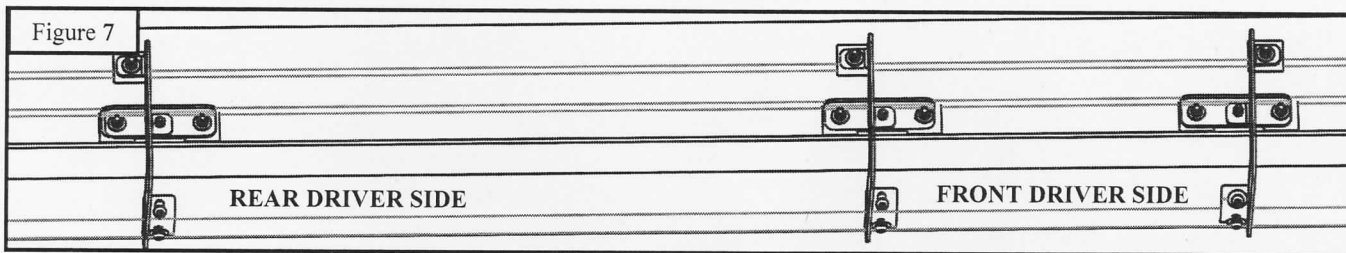
P.N.: 75-1051 REV A

ECO #: W14-0094

2

Thank You for choosing Westin products  
For Additional installation assistance please call  
Customer service (800) 793-7846  
[www.westinautomotive.com](http://www.westinautomotive.com)

DATE: 1/19/14



**CARE INSTRUCTIONS**

- REGULAR WAXING IS RECOMMENDED. DO NOT USE ANY TYPE OF POLISH OR WAX THAT MAY CONTAIN ABRASIVES.
- STAINLESS STEEL PRODUCTS CAN BE CLEANED WITH MILD SOAP AND WATER. STAINLESS STEEL POLISH SHOULD BE USED TO POLISH SMALL SCRATCHES.
- GLOSS BLACK FINISHES SHOULD BE CLEANED WITH MILD SOAP AND WATER.



Westin Automotive Products, Inc.  
320 Covina Blvd  
San Dimas, Ca. 91773

P.N.: 75-1051 REV A

ECO #: W14-0094

3

Thank You for choosing Westin products  
For Additional installation assistance please call  
Customer service (800) 793-7846  
[www.westinautomotive.com](http://www.westinautomotive.com)

DATE: 1/19/14

## WESTIN 2014 PRODUCT WARRANTY

### TWELVE MONTH WARRANTY

#### Winch Accessory Electrical Components, Winch Electrical Parts, Driving Lights, Off-Road Lights, Sure-Grip Light Kits.

Westin Automotive Products, Inc. guarantees the original purchaser of Westin products a twelve month warranty from the date of original purchase against manufacturer defects in materials, workmanship and finish under normal use excluding damage resulting from road hazards such as gravel or other debris, product misuse, improper installation, impairments from accidents, product modifications or product neglect. This twelve month warranty applies only to new products and is limited to the repair or replacement of Westin products. Warranty does not include electrical components or light bulb replacement, costs of removal, installation, labor, freight, inconvenience or consequential damages. Original purchaser must return defective merchandise, along with the purchase receipt, to the original place of purchase. This warranty does not cover damage resulting from accident, misuse, neglect, improper installation, fire, vandalism or any form of abuse.

### THREE YEAR WARRANTY

**Billet Grilles (34), Mesh Full Replacement Grilles, Truck-Pal (10), FEY Rear Bumpers, Trailblazer Bumpers and Rocker Bars (42), Black and White Powdercoated HDX Headache Rack, Black and White Powdercoated HDX Ladder Rack, HDX Overhead Truck Rack, HDX Running Boards, Black HDX Grille Guard, Black HDX Winch Mount Grille Guard (57), Black HDX Light Clamps, Black Sportsman Winch Mount Grille Guard (40), Black Off-Road Light Bar (37), E-Series Step Bars (23), Black GenX Oval Tube Drop Steps (20), Black Oval Tube Steps (22), Black Platinum Oval Step Bars (21), Black Premier 6" Oval (22), Black PRO TRAXX 4 Oval Step (21-2), MAX Accessories, Black MAX Bull Bar/Light Bar, MAX Winch Tray (46), Grille Guard Winch Trays (40/45/57), Westin Receiver Hitches (65), Westin Towing Accessories, Non-Electrical Winch Accessories, Mechanical Components of T-MAX Winches.**

Westin Automotive Products, Inc. guarantees the original purchaser of Westin products a three year warranty from the date of original purchase against manufacturer defects in materials, workmanship and finish under normal use excluding damage resulting from road hazards such as gravel or other debris, product misuse, improper installation, impairments from accidents, product modifications or product neglect. This three year warranty applies only to new products and is limited to the repair or replacement of Westin products. Warranty does not include electrical components or light bulb replacement, costs of removal, installation, labor, freight, inconvenience or consequential damages. Original purchaser must return defective merchandise, along with the purchase receipt, to the original place of purchase. This warranty does not cover damage resulting from accident, misuse, neglect, improper installation, fire, vandalism or any form of abuse.

### FIVE YEAR WARRANTY

**Black Bull Bars (32/33), Black Safari Light Bars (30), Black Contour Light Bar (32-2), Black Sportsman Grille Guards (excludes Winch Mount Grille Guard 40), Black Sportsman Tail Light Guards (39), Black Galvanized Signature Series Step Bars (25), Lighted and Unlighted Molded Running Boards (27), and Brite, Brushed and Black Sure-Grip Running Boards, Black and Polished Stylized Running Boards (28-2).**

Westin Automotive Products, Inc. guarantees the original purchaser of Westin products a five year warranty from the date of original purchase against manufacturer defects in materials, workmanship and finish under normal use excluding damage resulting from road hazards such as gravel or other debris, product misuse, improper installation, impairments from accidents, product modifications or product neglect. This five year warranty applies only to new products and is limited to the repair or replacement of Westin products. Warranty does not include electrical components or light bulb replacement, costs of removal, installation, labor, freight, inconvenience or consequential damages. Original purchaser must return defective merchandise, along with the purchase receipt, to the original place of purchase. This warranty does not cover damage resulting from accident, misuse, neglect, improper installation, fire, vandalism or any form of abuse.

### LIFETIME WARRANTY

**Chrome Sport Tubes, Polished Bed Rails, Polished Sport Tubes, Polished HDX Grille Guard, Polished HDX Light Clamp, Chrome Plated Stainless Bull Bar, Polished E-Series Bull Bar, Polished Stainless Steel Sportsman Grille Guards (45), Polished Sportsman Winch Mount Grille Guard (Excludes Winch Tray 45-9), Polished Off-Road Light Bar (37), Polished Safari Light Bar (30), Polished Contour Light Bar (32-2) Polished Premier 6" Oval (22), Chrome Plated Stainless Platinum Series Step Bars (26), Platinum Oval Step Bars (21), Polished E-Series Step Bars (Includes 23-7), Polished GenX Oval Tube Drop Steps (20), Polished PRO TRAXX 4 Oval Tube Step (21-2), Polished Stainless & Aluminum Oval Tube Step Bars (22), Polished MAX Bull Bar/Light Bar (46).**

Westin Automotive Products, Inc. guarantees the original purchaser a lifetime warranty against manufacturer defects in materials, workmanship and finish under normal use excluding damage resulting from road hazards such as gravel or other debris, product misuse, improper installation, impairments from accidents, product modifications or product neglect. This lifetime warranty applies only to new products and is limited to the repair or replacement of Westin products. Warranty does not include costs of removal, installation, labor, freight, inconvenience or consequential damages. Original purchaser must return defective merchandise, along with the purchase receipt, to the original place of purchase. This warranty does not cover damage resulting from accident, misuse, neglect, improper installation, fire, vandalism or any form of abuse.

### LIMITED LIFETIME WARRANTY

#### All Wade Products, Westin Towing Electrical

Westin Automotive Products warrants Wade Automotive Products to be free of original defects in materials or workmanship as long as the original purchaser owns the vehicle on which it is installed. This warranty does not cover damage resulting from accident, misuse, neglect, improper installation, fire, vandalism or any form of abuse. Westin will repair or replace, its sole discretion, any product covered by this warranty. This is a parts-only warranty and such repair or replacement shall be Westin's only obligation, and the customer's only remedy for a defective product. The cost of labor, installation, painting, incidental damages, shipping and handling will not be reimbursed. We do not warrant the paint or painting of our products. If, at our discretion, we choose to replace a defective part the customer (end consumer) may be responsible for any occurring freight cost, or a handling fee of up to \$25.00. **Westin warrants Towing Electrical products for manufacturing defects with regards to wiring, connectors and mounting brackets.** Westin shall have no liability for any incidental or consequential damages of any kind or nature including property damage, or personal injury resulting from the use or misuse of this product.

### LIMITED LIFETIME WARRANTY

#### All Brute and HDX Tool Boxes

Westin Automotive Products warrants Brute Tool Box and HDX Truck Boxes to be free of original defects in material and workmanship to the original purchaser of the product, with proof of purchase, and is limited to the original vehicle installation. Westin warrants for 12-months from date of original purchase black powder coated finish Brute or HDX Tool Boxes. This warranty does not cover damage resulting from wear and tear of daily use, accident, misuse, neglect, improper installation, fire, vandalism or any form of abuse. This warranty is void if product is altered in any way.

Westin will repair or replace, at its sole discretion, product covered by this warranty. If, at our discretion a product requires repair or return, the customer (end consumer) will be responsible for the cost of shipping to and from the manufacturer as needed. Standard shipping for claims is ground to and from manufacturer. Any expedited shipping fees will be incurred at the discretion of the consumer. Please contact Westin's customer service department for Brute or HDX Tool Box warranty claims directly at: **800-345-8476** M-F 7am - 4pm PST, excludes holidays and weekends.

### FINISH PROTECTION

Westin products have a high quality finish that must be cared for like any other exposed finish on the vehicle. Protect the finish with a non-abrasive automotive wax, (e.g. Pure Carnauba) on a regular basis. The use of any soap, polish or wax that contains an abrasive is detrimental, as the compounds scratch the finish and open it to corrosion.

### DISCLAIMER FOR WINCHES

Westin warrants each Winch against factory defects in material and workmanship to the original purchaser for the period of one year. The owner will be responsible for removing the winch and returning it with freight prepaid. Westin will repair or replace at its discretion the defective product or part. The purchaser must send a copy of the original receipt to qualify for any warranty consideration. Exclusions from this warranty are the finish and conditions determined to have been caused by abuse or abnormal use. This warranty shall not apply to any electric winch improperly operated or improperly installed. There are no warranties, expressed or implied, which extend beyond the original purchaser. The loss of use from any vehicle, loss of time, inconvenience, commercial loss or consequential damages is not covered. Westin reserves the right to redesign and make any changes to any product without assuming any obligation to modify any product previously supplied or manufactured. Any commercial or industrial use or application, or any hoisting application of the winch will void the warranty.

### DISCLAIMER FOR WESTIN PRODUCTS

Buyer assumes all risk and liability whatsoever from the installation and use of Westin products. Westin products are sold as appearance accessories and should not be relied upon as protection for the vehicle or occupants in the event of a collision or roll over. Vehicles equipped with a supplemental restraint system (air bags) deployed by impact should not be modified by any aftermarket Grille Guard, Push Bar, Light Bar or Bull Bar without first consulting the vehicle manufacturer. Westin Automotive Products, Inc. assumes no liability for injury, loss, incidental or consequential damages in the event of an accident.

### DISCLAIMER FOR WADE PRODUCTS

THE FOREGOING WARRANTIES ARE EXCLUSIVE AND IN LIEU OF ALL OTHER WARRANTIES, EXPRESSED OR IMPLIED, AND WESTIN AUTOMOTIVE PRODUCTS DISCLAIMS ALL OTHER WARRANTIES. Westin reserves the right to change product design and material without prior notice to customers.