



AUTOMOTIVE PRODUCTS,

INSTALLATION INSTRUCTIONS

PRO TRAXX[®] 5 WHEEL-TO-WHEEL

APPLICATION:

2015 Ford F-150 Super Cab 6.5 ft Bed

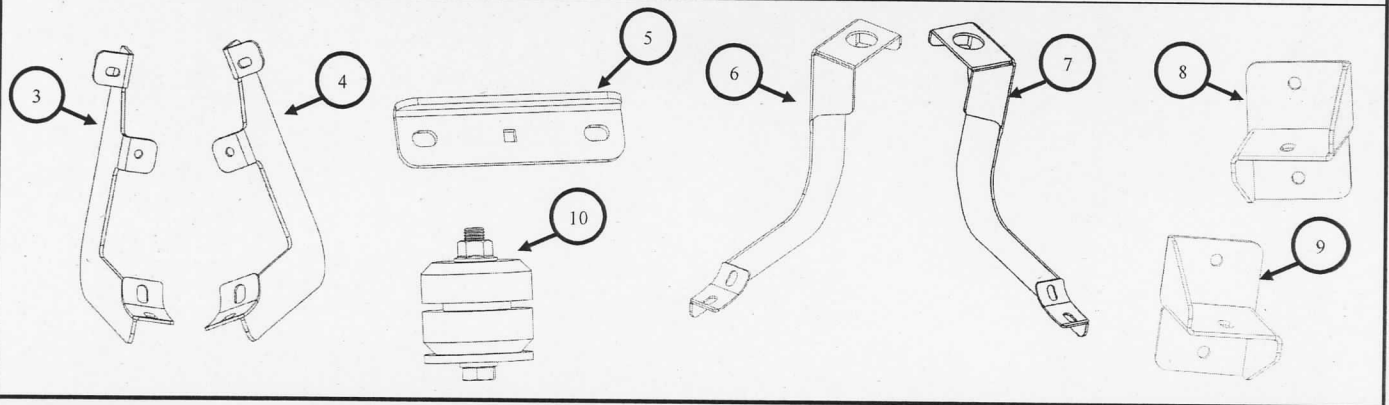
2015 Ford F-150 Super Crew 6.5 ft Bed

PART NUMBER: 21-534610, 21-534615, 21-534630, 21-534635

ITEM	QUANTITY	DESCRIPTION	TOOLS NEEDED
1,2	2	STEP BAR ASSEMBLY DRIVER/PASSENGER	13MM SOCKET
3	2	FRONT MOUNTING BRACKET "A"	TORQUE WRENCH
4	2,4*	REAR/CENTER MOUNTING BRACKET "B"	RATCHET
5	4,6*	UNIVERSAL MOUNTING BRACKET	6MM HEX KEY
6,7	2	BOTTOM ISOLATOR BRACKET DRIVER/PASSENGER	SOCKET EXT.
8,9	2	TOP ISOLATOR BRACKET DRIVER/PASSENGER	16MM SOCKET
10	2	RUBBER ISOLATOR KIT	18MM SOCKET
11	24*	M8 HEX NUT (YELLOW ZINC)	18MM WRENCH
12	28*	M8 FLAT WASHER (YELLOW ZINC)	
13	28*	M8 SPLIT LOCK WASHER (YELLOW ZINC)	
14	4	M10 HEX HEAD BOLT (YELLOW ZINC)	
15	4	M10 U-NUT CLIP (YELLOW ZINC)	
16	4	M10 SPLIT LOCK WASHER (YELLOW ZINC)	
17	4	M10 FLAT WASHER (YELLOW ZINC)	
18	6*	M8 ROUND HEAD SQUARE NECK BOLT (BLACK ZINC)	
19	16*	M10 BUTTON HEAD CAP SCREW (BLACK ZINC)	
20	16*	M10 INTERNAL TOOTHED LOCK WASHER (BLACK ZINC)	
21	16*	M10 FLAT WASHER (BLACK ZINC)	
22	18*	M8 PLASTIC RETAINER SQUARE	

*QUANTITIES INCLUDED/USED DEPEND UPON APPLICATION

ANTI-SEIZE LUBRICANT MUST BE USED ON ALL STAINLESS STEEL FASTENERS TO PREVENT THREAD DAMAGE AND GALLING



Westin Automotive Products, Inc.
320 W. Covina Blvd
San Dimas, Ca. 91773

P.N.: 75-1084-RevA

ECO #: W15-0036

Thank You for choosing Westin products
For Additional installation assistance please call
Customer service (800) 793-7846

www.westinautomotive.com

DATE: 07/20/15

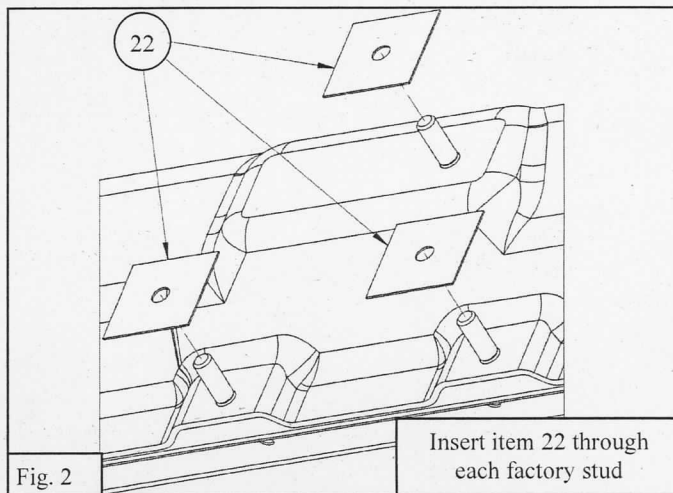
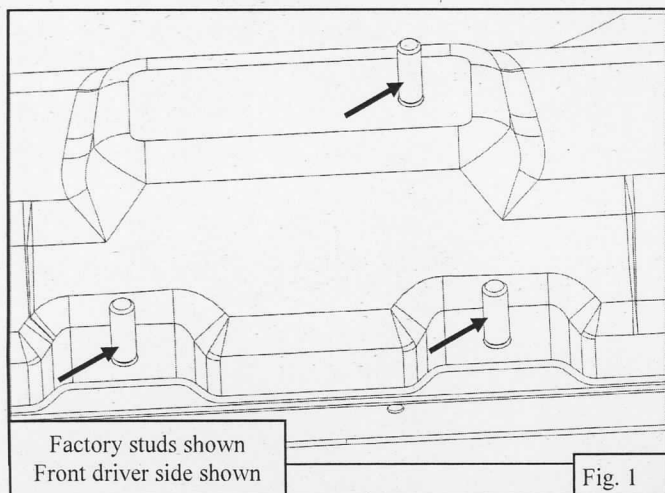
PROCEDURE

1. Remove contents from box, verify if all parts listed are present and free from damage.

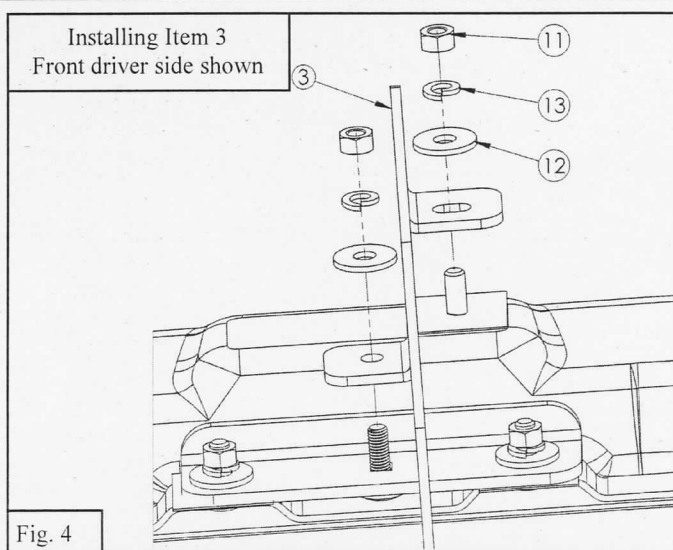
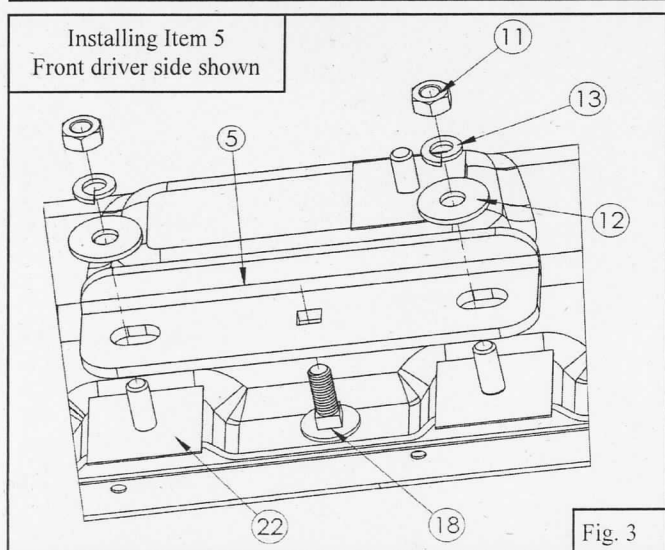
Carefully read and understand all instructions before attempting installation.

Failure to identify damage before installation could lead to a rejection of any claim.

2. Start installation on the driver's side. On the rocker panel find locations of factory studs. In each location there should be 3 studs. (Note: Super Cab has two locations and Super Crew has three locations.) **See Fig. 1.**
3. Insert (1) M8 Plastic Retainer Square (Item 22) on each factory stud. (Note: There will be 6 extra plastic retainer squares for the Super Cab model.) **See Fig. 2.**

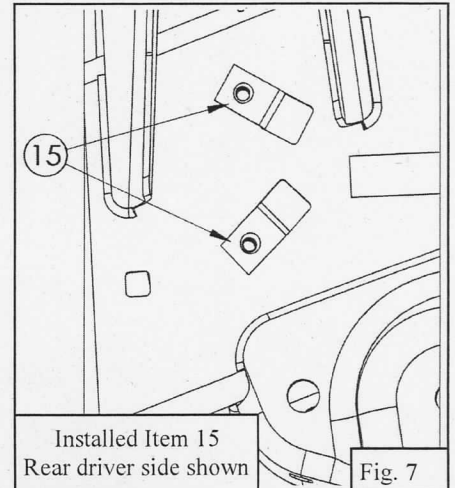
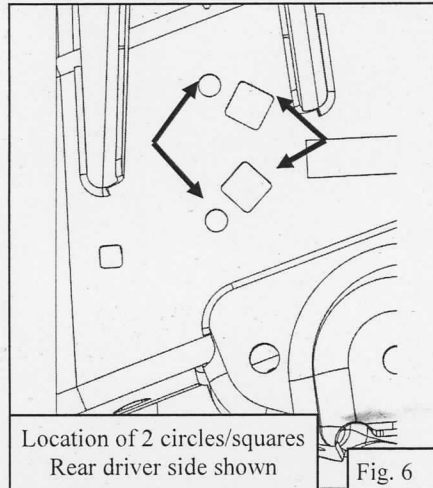
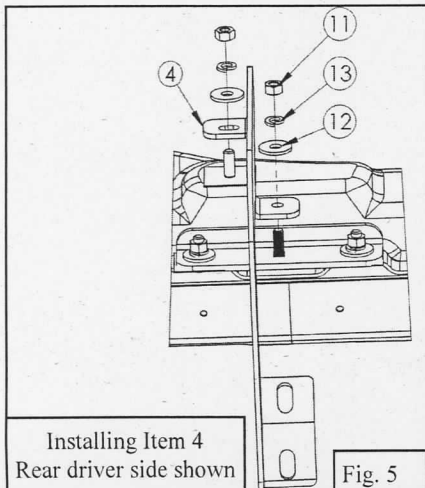


4. Insert the M8 round head square neck bolt (Item 18) through the Universal Mounting Bracket's square hole. Then insert the Universal Mounting Bracket (Item 5) onto the two lower factory studs. Loosely secure it with (2) M8 hex nut, (2) M8 split lock washer, and (2) M8 flat washer. Repeat for any other location with factory studs. (Note: For Super Cab model there will be 4 Universal Mounting Brackets (Item 5) and for the Super Crew model there are 6.) **See Fig. 3.**
5. Return to the front location of factory studs. Locate (1) Front Mounting Bracket "A" (Item 3) and align the circular hole with the M8 round head square neck bolt (Item 18) and the slot with the top factory stud. Loosely secure it with (2) M8 hex nut, (2) M8 split lock washer, and (2) M8 flat washer. **See Fig. 4.**

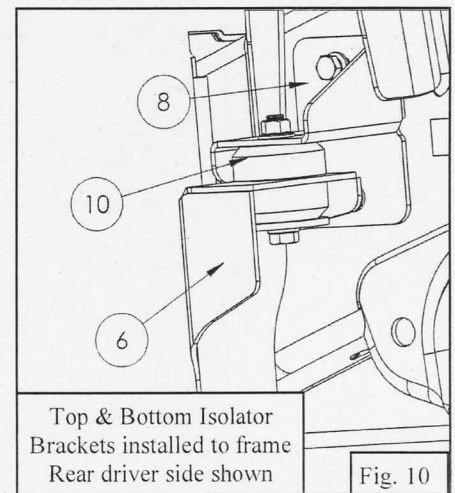
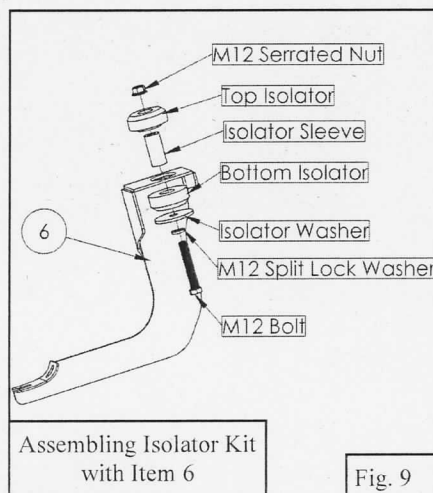
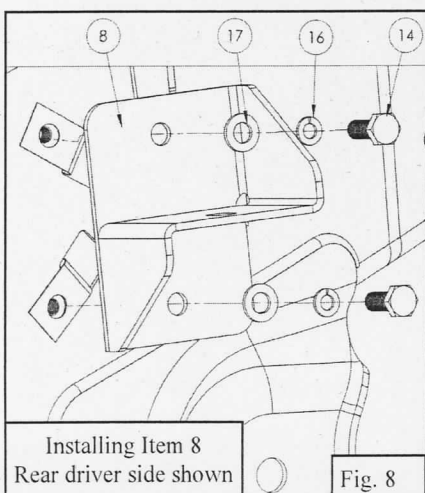


Westin Automotive Products, Inc.
320 W. Covina Blvd
San Dimas, Ca. 91773

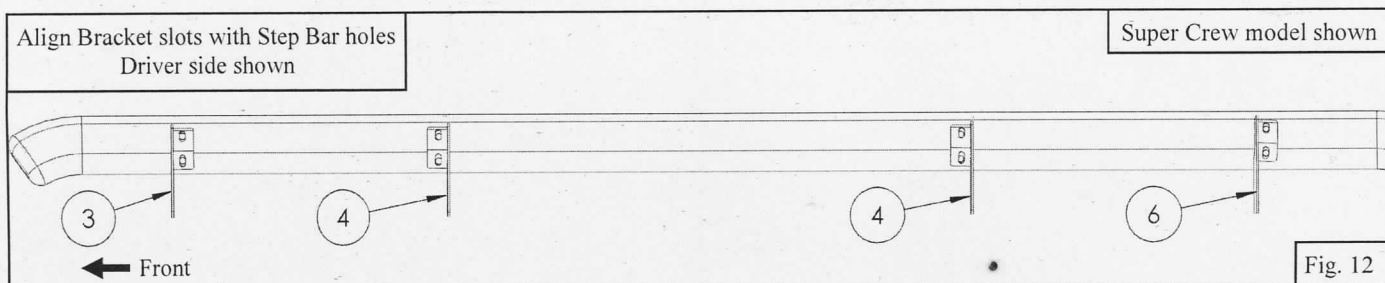
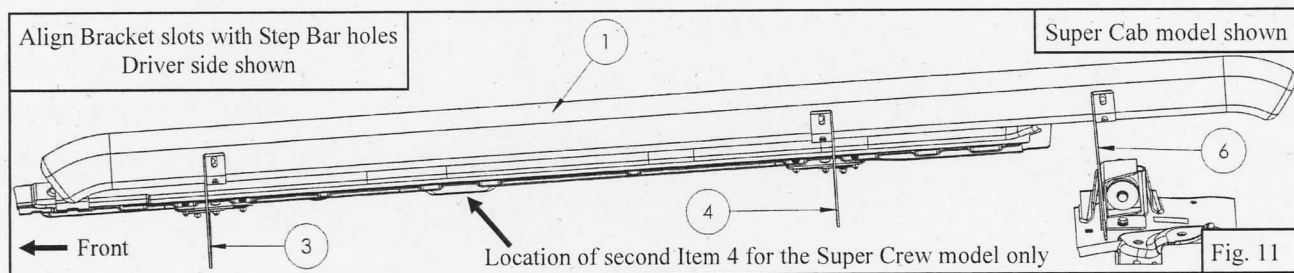
6. For the rear and center location with the factory studs use Rear Mounting Bracket "B" (Item 4). Use same hardware as in step 5 to loosely secure brackets. Super Cab model will have extra hardware. (Note: The Super Crew model will have 2 extra Rear Mounting Brackets "B", due to an extra center location of factory studs.) See Fig. 5.
7. Locate two circular and two square holes on the frame, located near the rear of vehicle. See Fig. 6.
8. Using (2) M10 U-Nut Clip (Item 15), insert them into the square holes on frame. Make sure that the circular holes of the frame are concentric with the circular holes of the M10 U-Nut Clips. See Fig. 7.



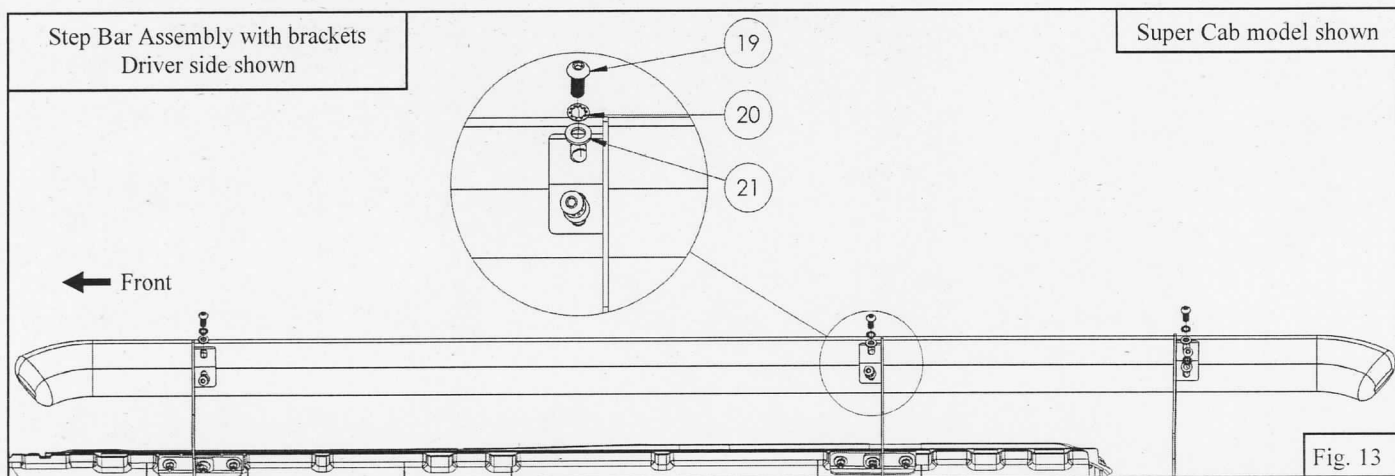
9. Locate Driver Top Isolator Bracket (Item 8). Align holes of the Driver Top Isolator Bracket with the holes of the frame and u-nut clips. Using (2) M10 hex bolt, (2) M10 split lock washer, and (2) M10 flat washer loosely secure the Driver Top Isolator Bracket to the frame. See Fig. 8.
10. Locate the Isolator Kit (Item 10). Isolator Kit should have (1) isolator sleeve, (1) top isolator, (1) bottom isolator, (1) isolator washer, (1) M12 split lock washer, (1) M12 serrated nut, and (1) M12 bolt. Assemble the Isolator kit with the Driver Bottom Isolator Bracket (Item 6). See Fig. 9.
11. Install assembly (Item 6 & Item 10) onto the Driver Top Isolator Bracket (Item 8). Loosely install using the (1) M12 serrated nut that comes with the Isolator Kit. See Fig. 10.



12. Locate the Driver Step Bar Assembly (Item 1) and align it with the brackets. (Note: Super Cab model will have 3 brackets and Super Crew will have 4 brackets.) See Fig. 11 & 12.
13. Loosely install the Driver Step Bar Assembly using M10 button head cap screw (Item 19), M10 internal toothed lock washer (Item 20), and M10 flat washer (Item 21). (Note: Super Cab model will have extra hardware.) See Fig. 13.



14. Align and adjust the step bar and brackets as necessary then tighten and torque all fasteners as follows: M8 to 20 ft-lbs, M10 30 ft-lbs.
15. Repeat for the passenger side.



Westin Automotive Products, Inc.
320 W. Covina Blvd
San Dimas, Ca. 91773

P.N.: 75-1084-RevA

ECO #: W15-0036

4

Thank You for choosing Westin products
For Additional installation assistance please call
Customer service (800) 793-7846

www.westinautomotive.com

DATE: 07/20/15



CARE INSTRUCTIONS

- REGULAR WAXING IS RECOMMENDED. DO NOT USE ANY TYPE OF POLISH OR WAX THAT MAY CONTAIN ABRASIVES.
- STAINLESS STEEL PRODUCTS CAN BE CLEANED WITH MILD SOAP AND WATER. STAINLESS STEEL POLISH SHOULD BE USED TO POLISH SMALL SCRATCHES.
- GLOSS BLACK FINISHES SHOULD BE CLEANED WITH MILD SOAP AND WATER.



Westin Automotive Products, Inc.
320 W. Covina Blvd
San Dimas, Ca. 91773

P.N.: 75-1084-RevA

ECO #: W15-0036

5

Thank You for choosing Westin products
For Additional installation assistance please call
Customer service (800) 793-7846
www.westinautomotive.com

DATE: 07/20/15