



AUTOMOTIVE PRODUCTS, INC.

INSTALLATION INSTRUCTIONS

APPLICATION: SPORTSMAN & HDX GRILLE GUARD / 2015 & UP FORD F-150
APP PART #40-3835, 45-3830, 57-3830, 57-3835

ITEM	QUANTITY	DESCRIPTION	TOOLS NEEDED
1	1	GRILLE GUARD ASSEMBLY	RATCHET
2	1	DRIVER SIDE LOWER MOUNTING BRACKET	UTILITY KNIFE
3	1	PASSENGER SIDE LOWER MOUNTING BRACKET	18MM SOCKET
4	1	DRIVER SIDE UPPER SUPPORT BRACKET	15MM SOCKET
5	1	PASSENGER SIDE UPPER SUPPORT BRACKET	14MM SOCKET
6	2	8MM SPACER	PRY TOOL
7	2	DOUBLE NUT PLATE	ALLEN WRENCH
8	4	M12 HEX CAP SCREW (YELLOW ZINC)	TORQUE WRENCH
9	4	M12 FLAT WASHER 24MM OD (YELLOW ZINC)	SOCKET EXTENS.
10	4	M12 SPLIT LOCK WASHER (YELLOW ZINC)	
11	2	M8 CAP SCREW (YELLOW ZINC)	
12	2	M8 FLAT WASHER 16MM OD (YELLOW ZINC)	
13	2	M8 SPLIT LOCK WASHER (YELLOW ZINC)	
14	6	M12 HEX BUTTON HEAD SCREW (STAINLESS)	
15	6	M12 BELLVILLE WASHER (STAINLESS)	
16	6	M12 SERRATED FLANGE NUT (STAINLESS)	

ANTI-SEIZE LUBRICANT MUST BE USED ON ALL STAINLESS STEEL FASTENERS TO PREVENT THREAD DAMAGE AND GALLING .

1. Remove contents from box, verify if all parts listed are present and undamaged. Carefully read and understand all instructions before attempting installation. (Note: There is no need to remove front bumper to install grille guard assembly, it is customers choice is they choose to do so.)
2. **For vehicles without factory tow hooks** trim the plastic in the areas in Figure 1 and 2. Repeat for the passenger side.
3. **For vehicles with factory tow hooks** remove tow hooks and loosely install Lower Mounting Brackets to factory nut plates using supplied M12 hardware as shown in Figure 4. Trim screws if they interfere with lower mounting bracket see Figure 5.
4. **For vehicles without tow hooks** slip double nut plates into frame and line up with existing holes, see Figure 3. Loosely install the Lower Mounting Brackets using the supplied M12 hardware as shown in Figure 4. Trim screws if they interfere with lower mounting bracket see Figure 5.
5. Remove all factory hardware and clips attached to grille, then remove grill. See Figures 6-12.
6. Remove factory bumper bolt see Figure 13. Install upper mounting bracket using supplied M8 hardware, tighten to 15 ft-lbs. See Figure 14.
7. Reinstall grille and headlight covers in the reverse order of the install instructions.
6. With assistance hold the Grille Guard up to the previously installed brackets. Loosely attach the Grille Guard to the brackets using the supplied M12 hardware, see Figure 15 and 16.
7. Align and adjust the Grille Guard as necessary. Tighten and torque M12 hardware to 50-55 ft-lbs.



Westin Automotive Products, Inc.
320 Covina Blvd
San Dimas, Ca. 91773

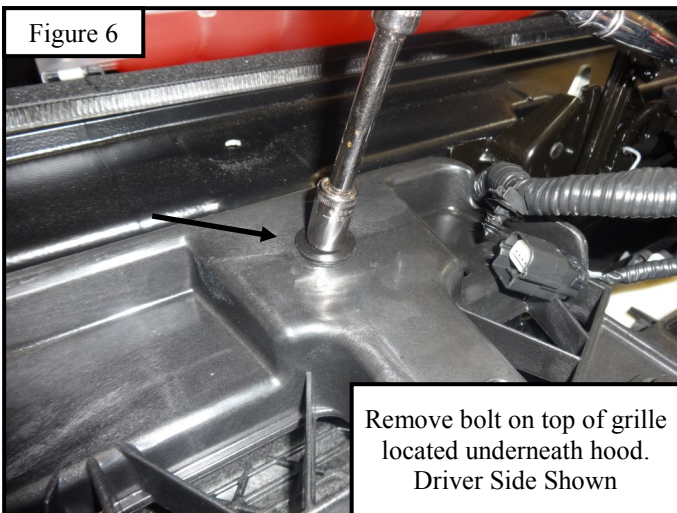
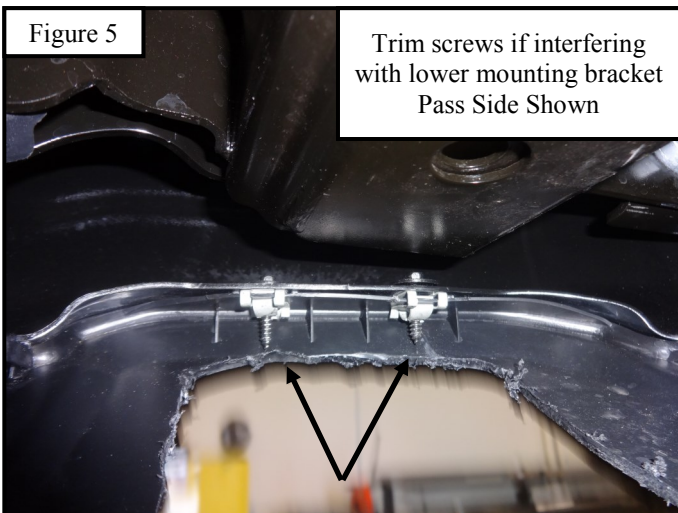
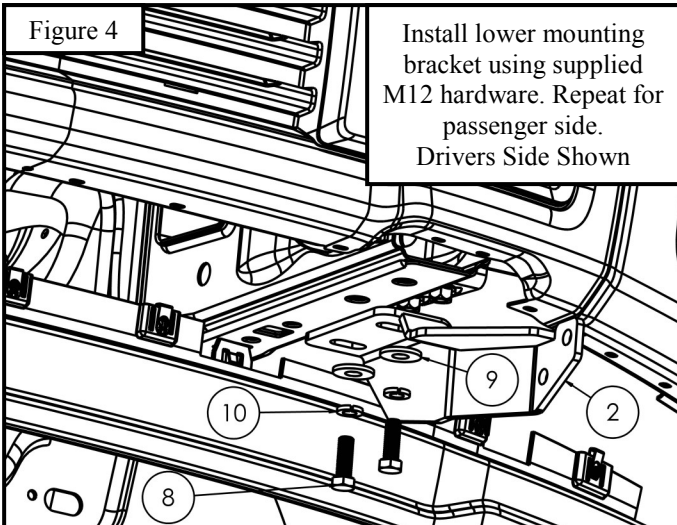
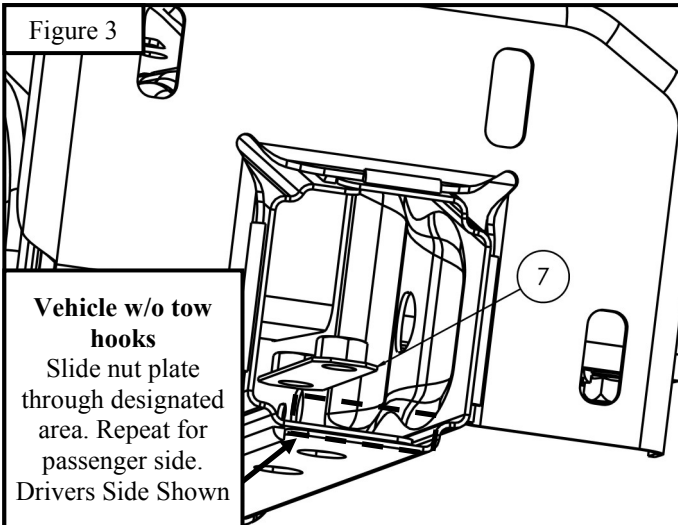
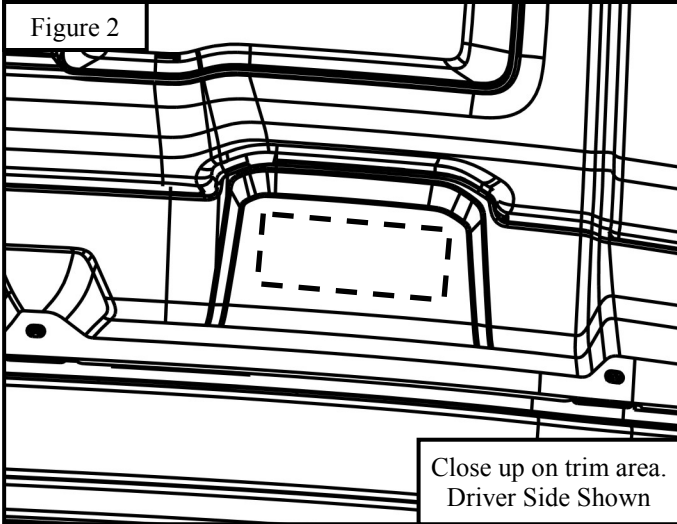
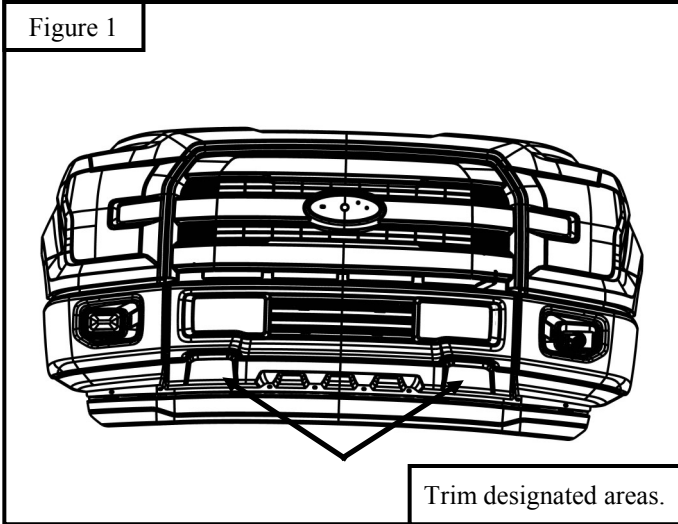
P.N.: 75-3078 REV A

ECO #: W14-0082

1

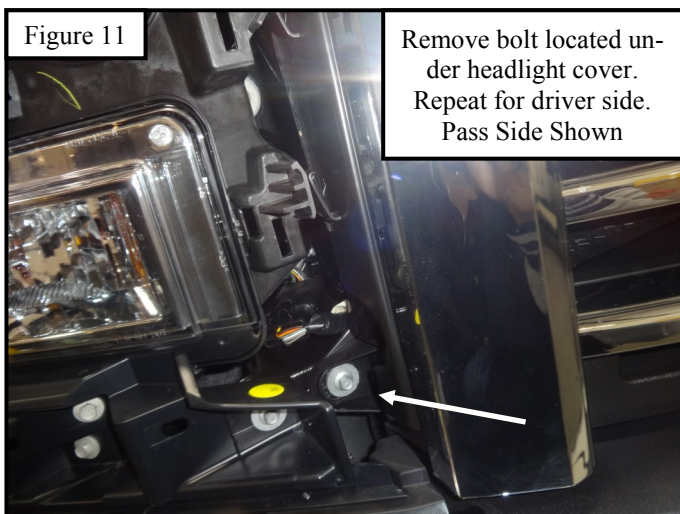
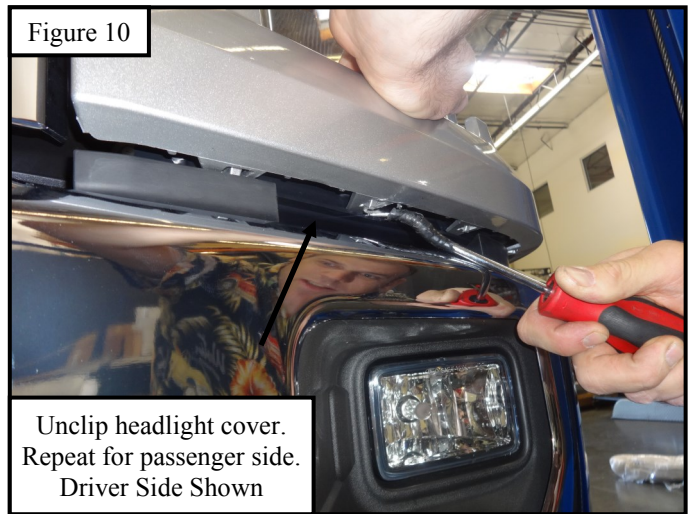
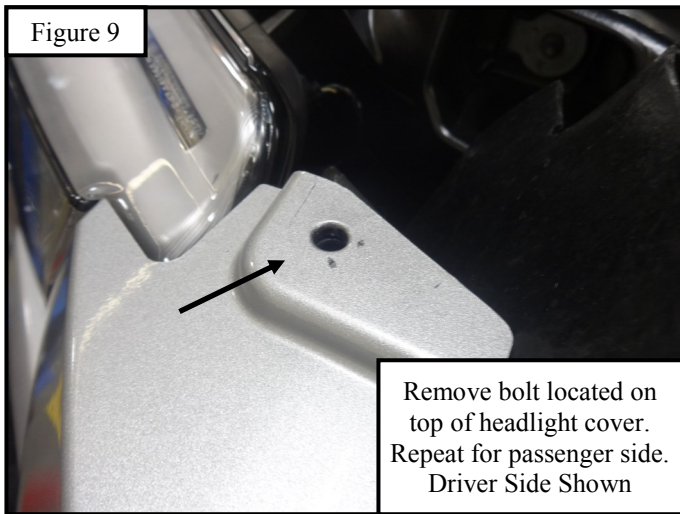
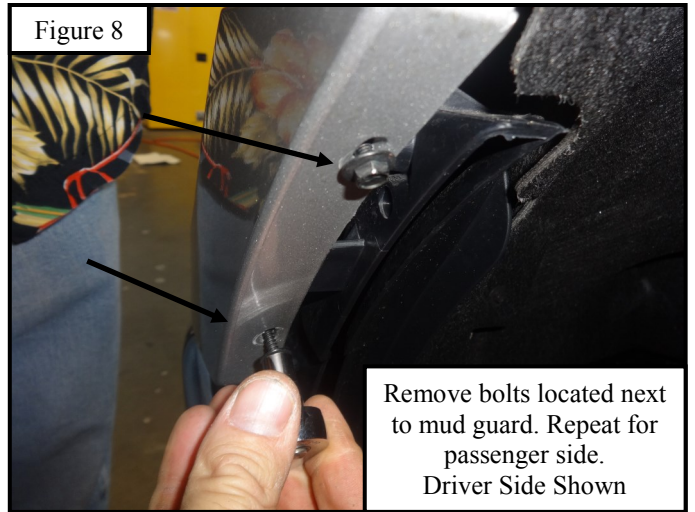
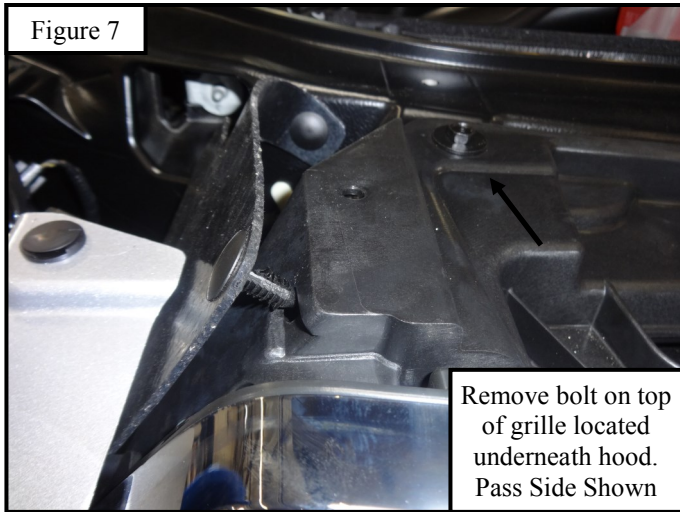
Thank You for choosing Westin products
For Additional installation assistance please call
Customer service (800) 793-7846
www.westinautomotive.com

DATE: 12/31/14



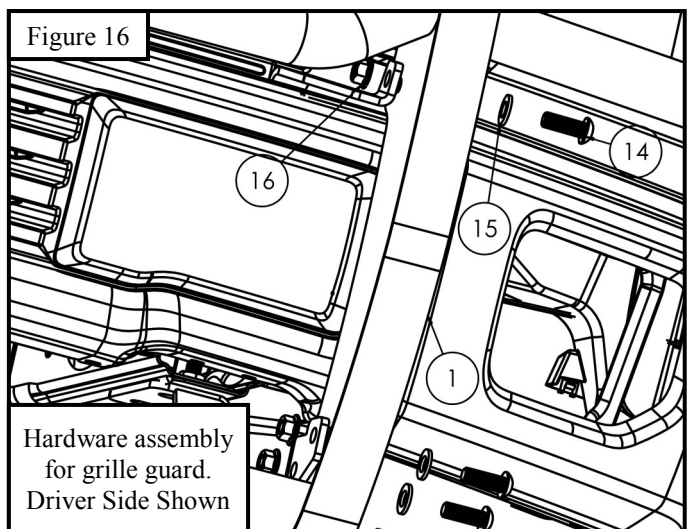
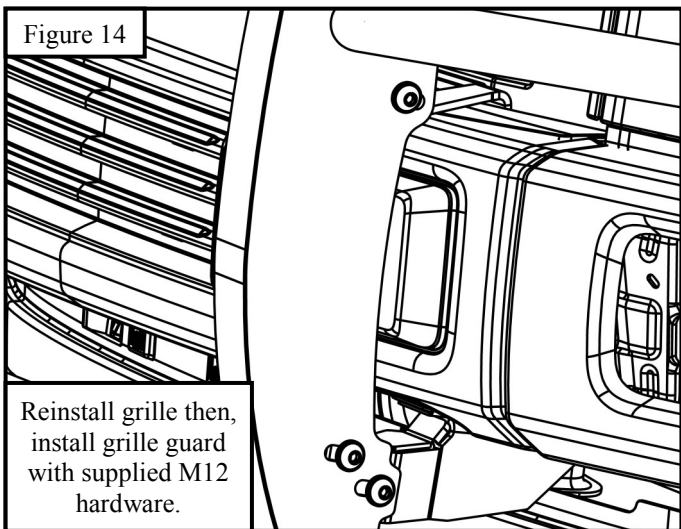
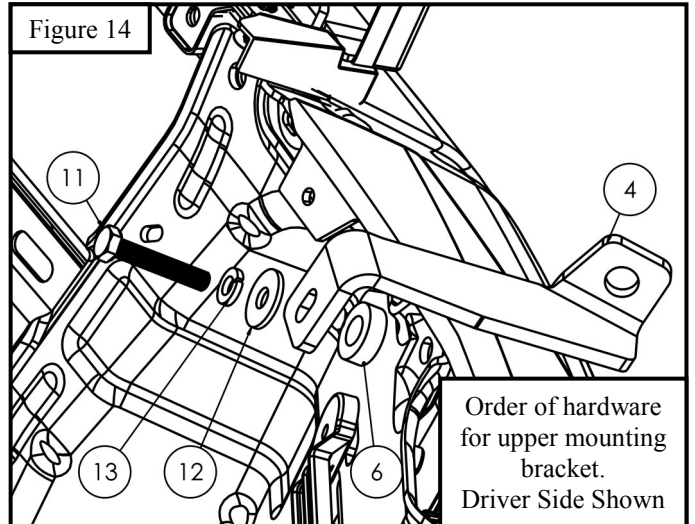
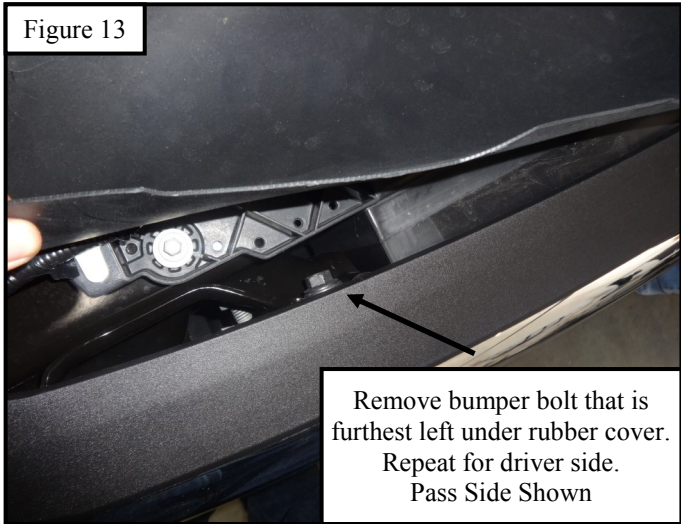
Westin Automotive Products, Inc.
320 Covina Blvd
San Dimas, Ca. 91773

Thank You for choosing Westin products
For Additional installation assistance please call
Customer service (800) 793-7846
www.westinautomotive.com



Westin Automotive Products, Inc.
320 Covina Blvd
San Dimas, Ca. 91773

Thank You for choosing Westin products
For Additional installation assistance please call
Customer service (800) 793-7846
www.westinautomotive.com



Westin Automotive Products, Inc.
320 Covina Blvd
San Dimas, Ca. 91773

Thank You for choosing Westin products
For Additional installation assistance please call
Customer service (800) 793-7846
www.westinautomotive.com

Installation Complete



CARE INSTRUCTIONS

- REGULAR WAXING IS RECOMMENDED. DO NOT USE ANY TYPE OF POLISH OR WAX THAT MAY CONTAIN ABRASIVES.
- STAINLESS STEEL PRODUCTS CAN BE CLEANED WITH MILD SOAP AND WATER. STAINLESS STEEL POLISH SHOULD BE USED TO POLISH SMALL SCRATCHES.
- GLOSS BLACK FINISHES SHOULD BE CLEANED WITH MILD SOAP AND WATER.



Westin Automotive Products, Inc.
320 Covina Blvd
San Dimas, Ca. 91773

P.N.: 75-3078 REV A

ECO #: W14-0082

5

Thank You for choosing Westin products
For Additional installation assistance please call
Customer service (800) 793-7846
www.westinautomotive.com

DATE: 12/31/14