

1003-0048

2004-14 Ford F-150 Super Cab 5"Wheel to Wheel oval bar

### Components List:

- 2 – Stainless steel 5" oval step bars
- 2 – Front Bracket – Driver & Passenger Side
- 2 – Rear Bracket – Driver & Passenger Side
- 4 – Rubber gasket

### Parts List:

- 16 – M10-1.25 x 30 mm hex head bolts
- 24 – M10 flat washers
- 16 – M10 lock washers
- 8 – M10 U-Nut
- 8 – M10 Hex Nut
- 8 – M10 button head bolt

### Installation Instruction:

1. Remove contents from box and check for damage. Verify all the parts from the list above are present and accounted for. Please read instructions completely before starting.
2. Remove black tape and large rubber grommets over mounting holes located on the inside face of rocker panel.
3. Install extruded U-Nuts as shown for both front and rear brackets for the top hole positions of only (see Fig. 1 and Fig. 2).
4. Install driver side front and rear bracket as shown (see Fig. 1 and Fig. 2). Hand tighten. **Note:** Rear bracket is ½ longer than front bracket.
5. Place driver side step bar on brackets. Each step bar is marked driver and passenger.
6. Assemble with M10 button head bolts and M10 lock washers. 2 bolts per bracket, 4 bolts per bar (see Fig 3). Hand tighten.
7. Repeat installation for passenger side

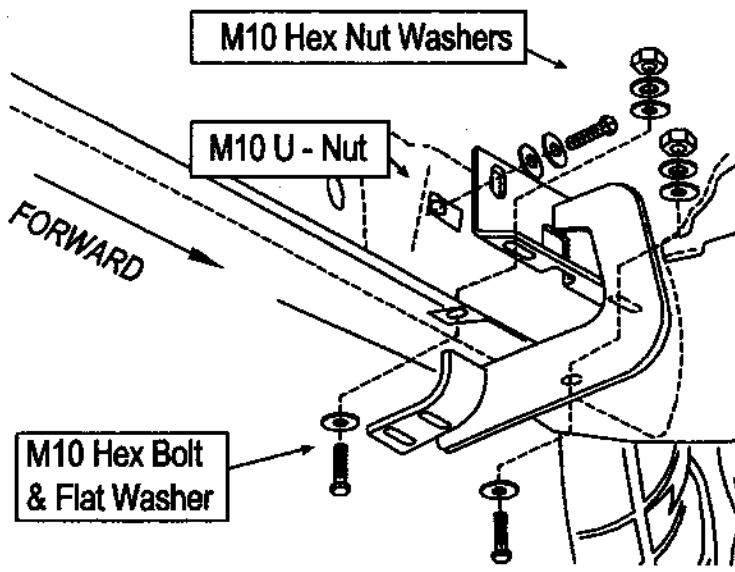


Figure 1. Driver Side - Front Bracket

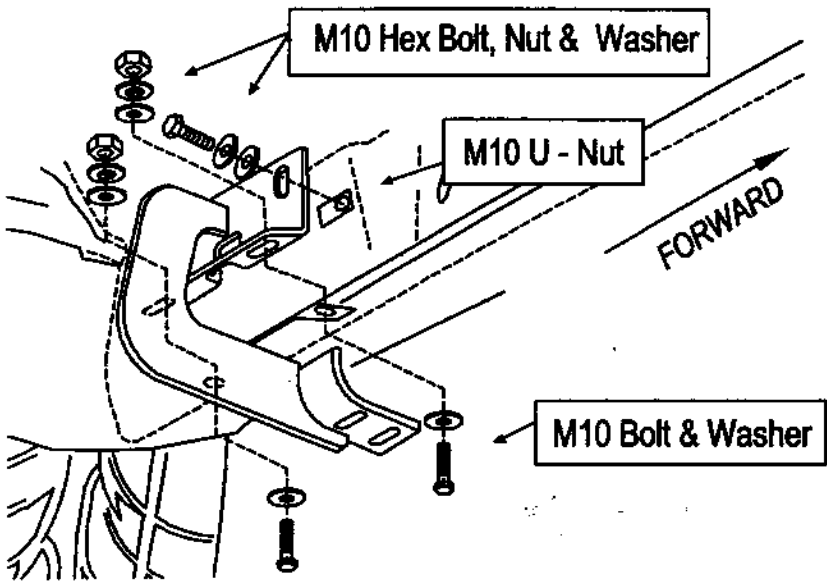


Figure 2. Driver Side - Rear Bracket

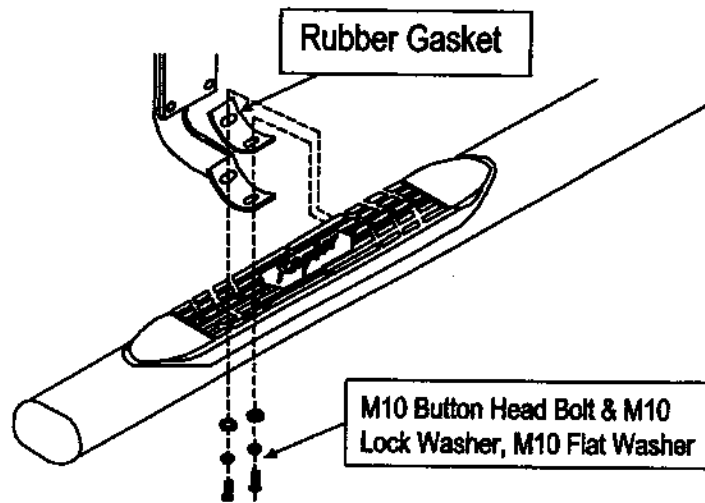


Figure 3. Installation View of Bracket & Bar