



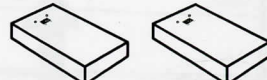
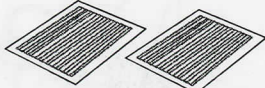




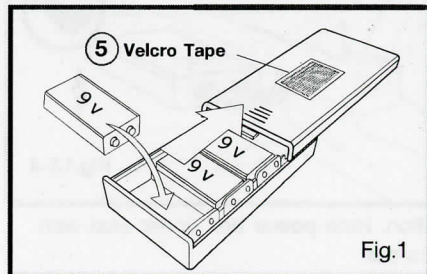


# INSTALLATION MANUAL ON VEHICLE ANIGLO SILL PLATES

## Part Component

<p>① Aniglo Sill Plates</p> <p>1- Front Left </p> <p>1- Front Right </p> <p>1- Rear Left </p> <p>1- Rear Right </p>	
<p>② Battery Boxes (2 Boxes)</p> 	<p>⑤ Velcro Tape (2 Pieces)</p> 
<p>③ Magnet (4 Pieces)</p> 	<p>⑥ Adhesion Promoter</p> 
<p>④ Wire (4 Pieces)</p> <p>2 pieces Long wires</p> <p>2 pieces Short wires</p> 	<p>⑦ Marking Tape</p> 

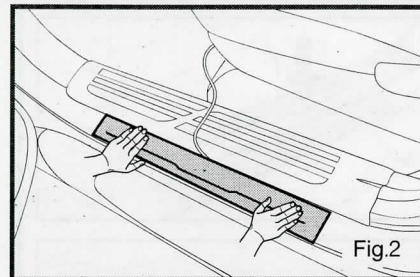
## Installation Instructions



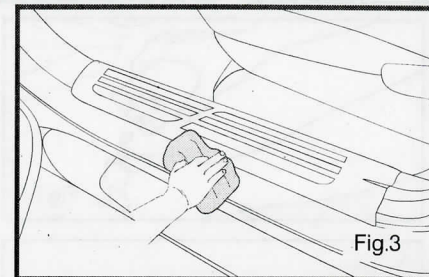
### Step 1.

Slide power box open and install 3 x 9V batteries.

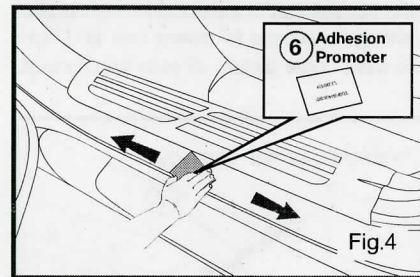
**Note:** Use new alkaline and same branded batteries ONLY. For longevity, use lithium batteries. Total batteries required 6 x 9v. batteries



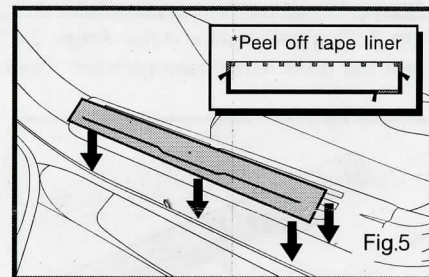
**Step 2.** Prior to installation, position Aniglo Sill Plate over part to be installed to gauge how finished installation will look like.



**Step 3.** Clean the area where Aniglo Sill Plate will be installed with a clean cloth. Ensure that surface is dry, clean and free of oil, grease and wax. Repeat this process for all parts to be installed.

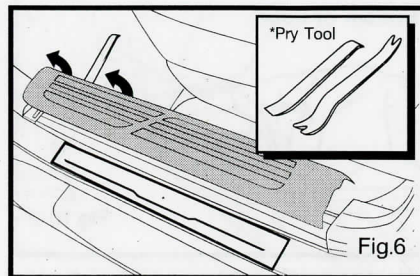


**Step 4.** Apply a thin layer of Adhesion promoter (included) over areas where adhesive tape adheres to.



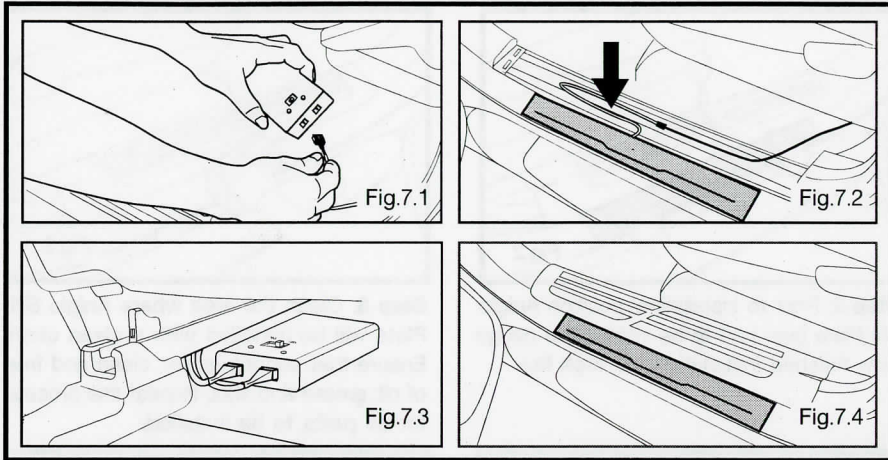
**Step 5.** Carefully peel off tape liner and overlay Aniglo Sill Plate to part surface. Apply firm pressure over Aniglo Sill Plate to securely bond the tape to the vehicle.

**Note:** Application surface must be between 60-110F (15-43C). If necessary, warm the surface with a heat gun to obtain the recommended surface application temperature.

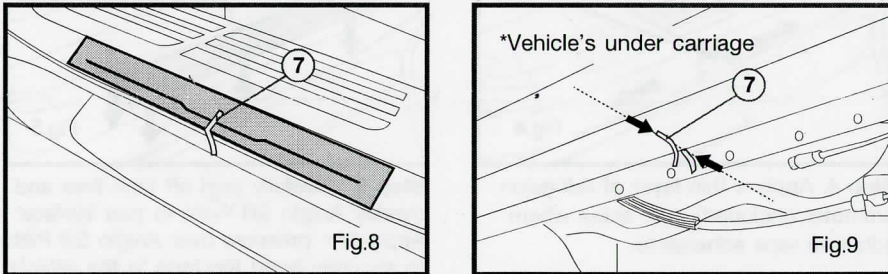


**Step 6.** Using a pry tool or flat head screw driver and pry open factory plastic door sill cover.

**Note:** Be careful not to scratch or puncture vehicle factory wirings

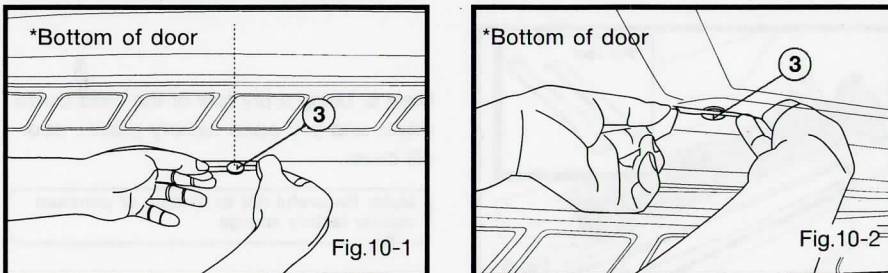


**Step 7** .Plug both front and rear Aniglo Sill Plates wiring harnesses to power box and hide power box under driver/passenger's seat. Tug in excess wires under factory sill plate and reinstall.

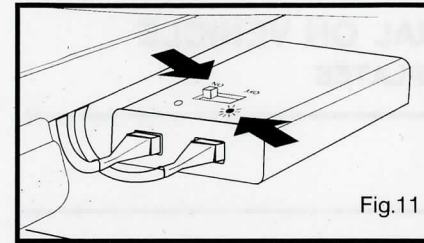


**Step 8** .Using the provided marking tape and mark 90° down from sensor sticker to bottom of vehicle.

**Step 9** .With vehicle's door closed, mark bottom of door with provided marking tape.

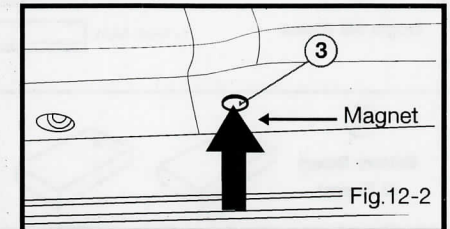
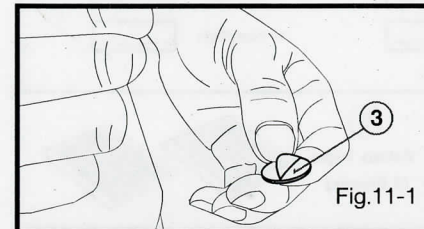


**Step 10** .Using marking tape from step 9 as reference point. Tape one side of magnet with marking tape and adhere temporary to bottom of door panel.

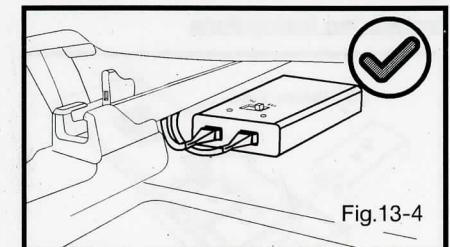
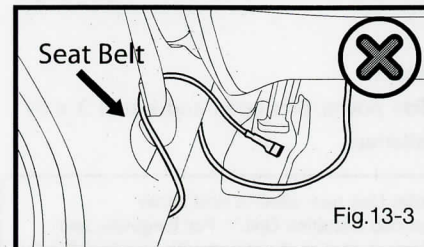
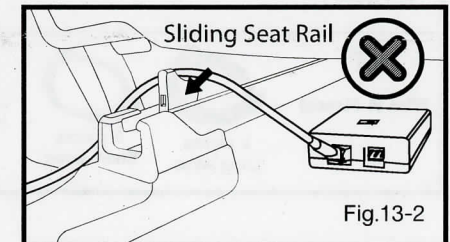
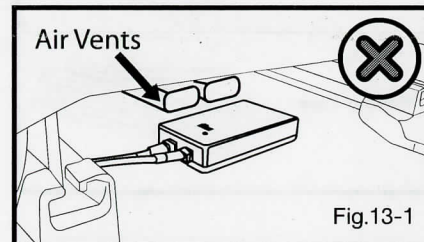


**Step 11** .With door closed, turn on power box and check indicator light is OFF. If indicator light is ON, then re-position magnet to align with sensor sticker on Aniglo Sill Plate until indicator light is no longer lit.

**Note:** Aniglo Sill Plate is active when indicator light is on.



**Step 12** .Once magnet is positioned at proper location, peel off tape liner and adhere magnet to bottom of door panel.



**Step 13** .When you are complete with installation. Hide power box under seat with hooked Velcro facing down toward vehicle's carpet.

**Note:** Avoid running wiring harness over path of any moving objects such as seat belts and sliding seat rails.

